

FE 2owlet-ECblue with ZAplus

for three phase alternating current, 380-480 V

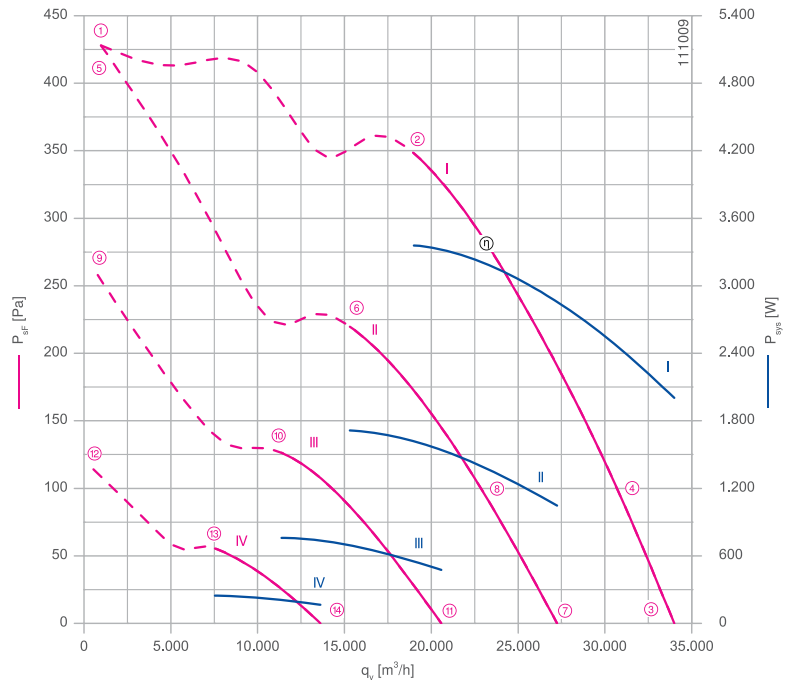
ZNO91



Description

Motor technology: EC
 Rated voltage U_N : 3- 380-480 V*
 Rated frequency f_N : 50/60 Hz*
 Input power P_{sys} : 3.40 kW*
 Rated current I_N : 5.40- 4.20 A*
 Rated speed n_N : 1130 min⁻¹*
 Thermal class: THCL155*
 Min. permitted ambient temperature $t_{R(min)}$: -35 °C
 Max. permitted ambient temperature $t_{R(max)}$: 40 °C
 Electrical connection: Integrated controller
 Number of blades: 5
 Degree of protection : IP55
 Motor protection: Integrated active temperature management
 Blades: Aluminium, powder-coated, ultramarine blue
 Rotor: Aluminium, 2 coat paint, ultramarine blue
 Conformity: ErP 2015, CE, UL
ErP-data
 Efficiency η_{statA} : 61.3 %
 Efficiency: $N_{actual} = 64.5 / N_{target} = 40^{**}$
 EC controller integrated
 * Rated data
 **ErP 2015

Characteristic curve



Measured in ZAplus without guard grille in installation type A according to ISO 5801

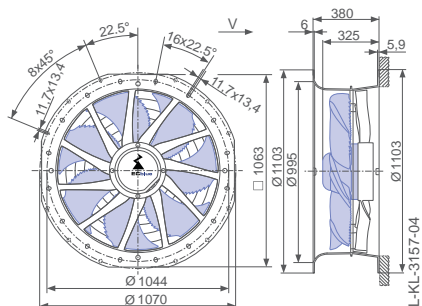
Connection diagram Page 172
1360-403

System components Page 110

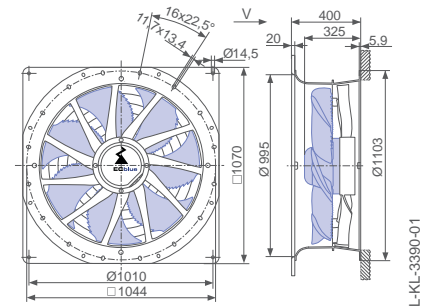
Dimensions mm

Airflow direction

Design L - ZAplus Ontop, guard grille suction side

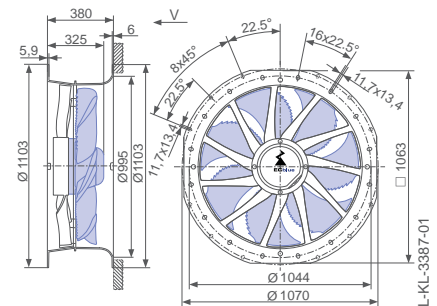


Design Q - ZAplus with adapter plate, guard grille suction side



Airflow direction

Design L - ZAplus Ontop without guard grille



Performance data

Type	Characteristic curve	Speed n min ⁻¹	Operating point	Current	Input power	Acoustic pressure level 7m	Specific power
				I A	P _{sys} W	L _{pA} dB(A)	P _{spez} Wh/1000m ³
ZN091-ZL_GL.V5P1	I	1130	①	4.40	2900		
			②	5.20	3400		177.6
			③	3.10	2000	61	59.0
			④	3.80	2500	60	80.0
	II	900	⑤	4.40	2900		
			⑥	2.70	1700		113.8
			⑦	1.70	1050	55	38.4
			⑧	2.20	1400	53	61.2
	III	680	⑨	2.10	1350		
			⑩	1.30	760		66.8
			⑪	0.90	480	47	23.1
			⑫	0.82	420		
	IV	450	⑬	0.58	250		
			⑭	0.44	160	37	12.1

Current values determined at 400V

Fan ordering information

Design	Airflow direction		Airflow direction			
	L (guard grille suction side) Ontop	Q (guard grille suction side)	L (without guard grille) Ontop	L (guard grille pressure side) Ontop	Q (without guard grille) side	Q (guard grille pressure side)
Type	ZN091-ZIL.GL.V5P1	ZN091-ZIQ.GL.V5P1	ZN091-ZIL.GL.V5P1	ZN091-ZIL.GL.V5P1	ZN091-ZIQ.GL.V5P1	ZN091-ZIQ.GL.V5P1
Article no.	169055	169056	168065	168066	168067	168068
Weight kg	46.70	50.50	42.90	44.80	46.70	48.60

ZAplus attachable on both sides.

Control technology

Control module UNIcon Zenec switch

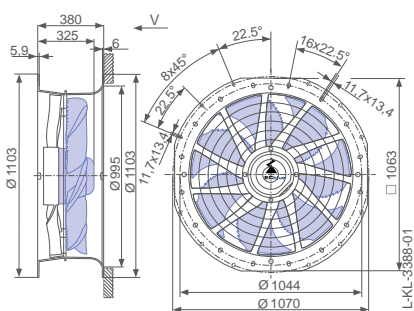


Page 130

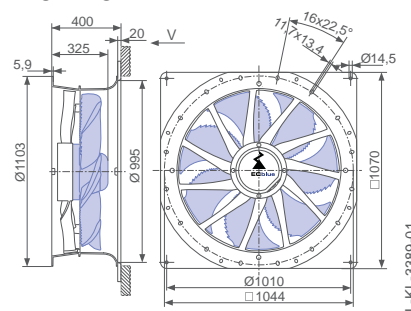


Page 158

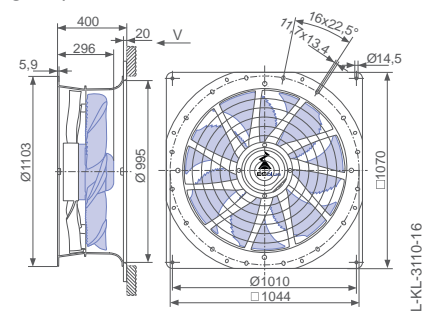
Design L - ZAplus Ontop, guard grille pressure side



Design Q - ZAplus with adapter plate, without guard grille



Design Q - ZAplus with adapter plate, guard grille pressure side



FE 2owlet-ECblue with Z Aplus

for three phase alternating current, 380-480 V

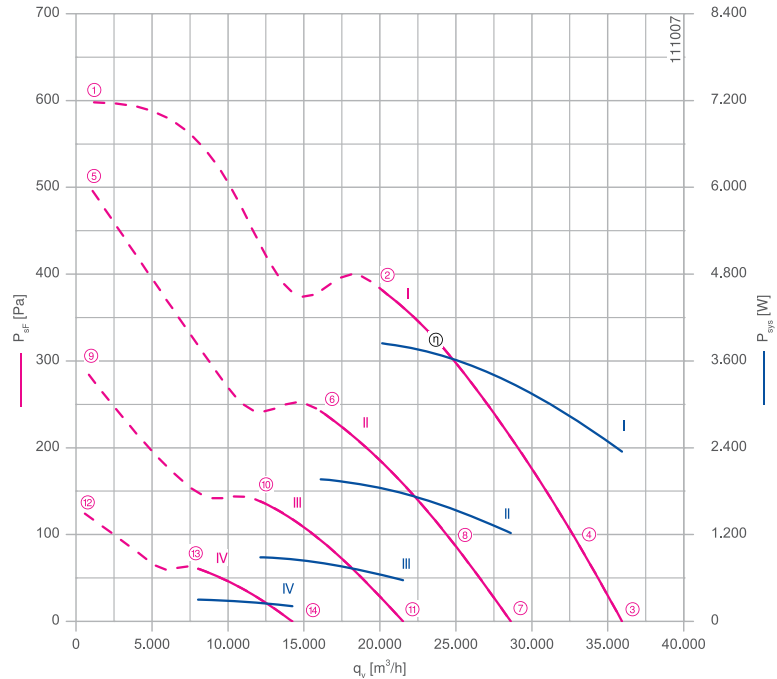
ZNO91



Description

- Motor technology: EC
- Rated voltage U_N : 3- 380-480 V*
- Rated frequency f_N : 50/60 Hz*
- Input power P_{sys} : 3.90 kW*
- Rated current I_N : 6.20- 5.00 A*
- Rated speed n_N : 1180 min⁻¹*
- Thermal class: THCL155*
- Min. permitted ambient temperature $t_{R(min)}$: -35 °C
- Max. permitted ambient temperature $t_{R(max)}$: 40 °C
- Electrical connection: Integrated controller
- Number of blades: 5
- Degree of protection : IP55
- Motor protection: Integrated active temperature management
- Blades: Aluminium, powder-coated, ultramarine blue
- Rotor: Aluminium, 2 coat paint, ultramarine blue
- Conformity: ErP 2015, CE, UL
- ErP-data**
- Efficiency η_{statA} : 62.1 %
- Efficiency: $N_{actual} = 64.9 / N_{target} = 40^{**}$
- EC controller integrated
- * Rated data
- **ErP 2015

Characteristic curve



Measured in Z Aplus without guard grille in installation type A according to ISO 5801

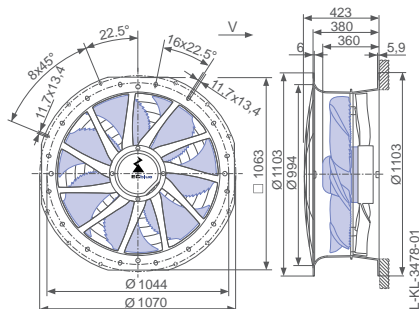
Connection diagram Page 172
1360-403

System components Page 110

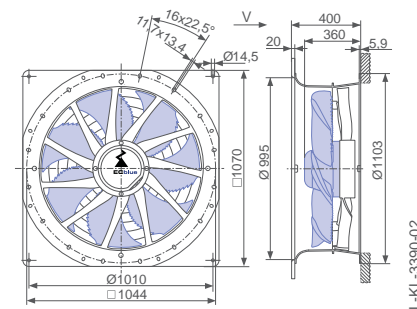
Dimensions mm

Airflow direction →

Design L - Z Aplus Ontop, guard grille suction side

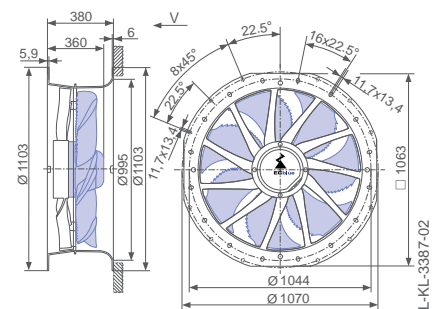


Design Q - Z Aplus with adapter plate, guard grille suction side



← Airflow direction

Design L - Z Aplus Ontop without guard grille



Performance data

Type	Characteristic curve	Speed n min ⁻¹	Operating point	Current	Input power	Acoustic pressure level 7m	Specific power
				I A	P _{sys} W	L _{pA} dB(A)	P _{spez} Wh/1000m ³
ZN091-ZL_GQ.V5P1	I	1180	①	7.20	4800		
			②	5.80	3800		191.1
			③	3.60	2300	63	65.3
			④	4.40	2800	62	85.9
	II	940	⑤	5.40	3500		
			⑥	3.10	1950		122.6
			⑦	1.95	1200	56	42.7
			⑧	2.50	1600	55	64.8
	III	710	⑨	2.40	1550		
			⑩	1.50	880		73.0
			⑪	1.05	560	48	26.4
			⑫	0.94	480		
	IV	470	⑬	0.68	300		
			⑭	0.54	210	39	14.7

Current values determined at 400V

Fan ordering information

Design	Airflow direction		Airflow direction			
	L (guard grille suction side) Ontop	Q (guard grille suction side)	L (without guard grille) Ontop	L (guard grille pressure side) Ontop	Q (without guard grille) side	Q (guard grille pressure side)
Type	ZN091-ZIL.GQ.V5P1	ZN091-ZIQ.GQ.V5P1	ZN091-ZIL.GQ.V5P1	ZN091-ZIL.GQ.V5P1	ZN091-ZIQ.GQ.V5P1	ZN091-ZIQ.GQ.V5P1
Article no.	169057	169058	168069	168070	168071	168072
Weight kg	53.30	57.10	49.70	51.60	53.60	55.50

ZAplus attachable on both sides.

Control technology

Control module UNIcon Zenec switch

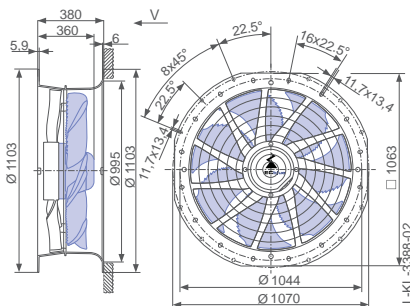


Page 130

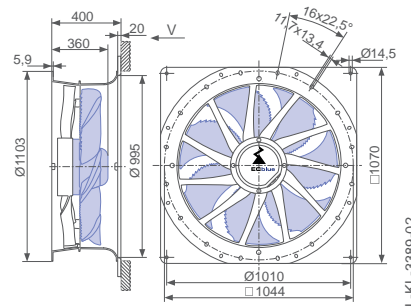


Page 158

Design L - ZAplus Ontop, guard grille pressure side



Design Q - ZAplus with adapter plate, without guard grille



Design Q - ZAplus with adapter plate, guard grille pressure side

