

Cpro-ECblue

for single phase alternating current, 200-277 V

RH40C-ZID



Description

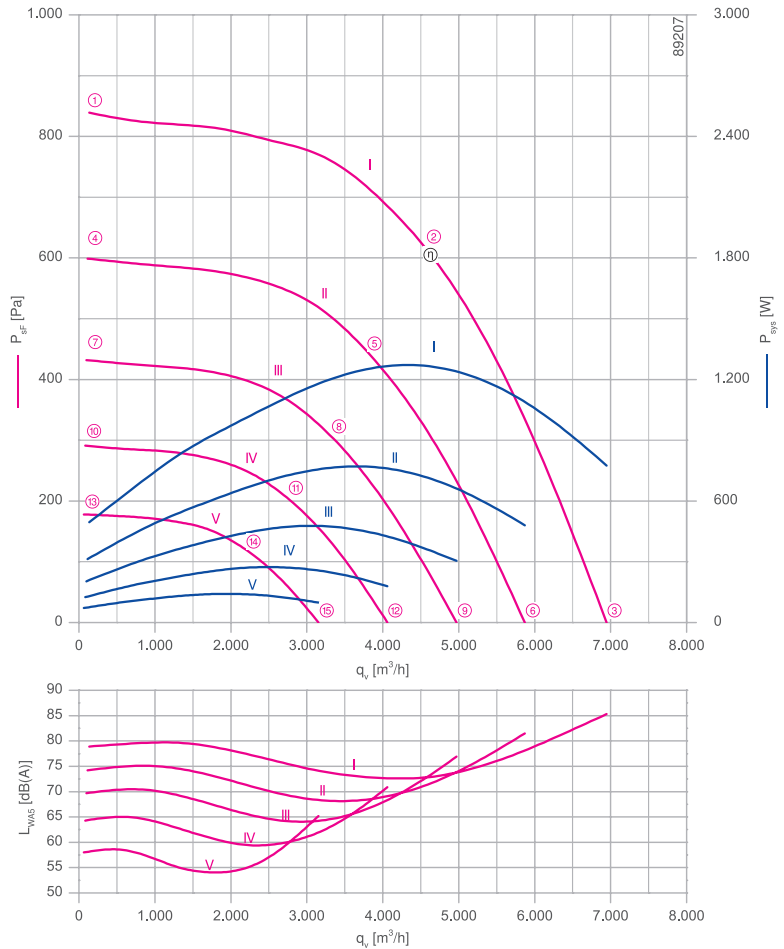
Motor technology: EC
 Rated voltage U: 1~200-277 V*
 Rated frequency f: 50/60 Hz*
 Motor input power P: 1.25 kW*
 Rated current I: 6.40-4.60 A*
 Rated speed n: 1950 min⁻¹*
 Thermal class: THCL155*
 Min. permitted ambient temperature t_R: -20 °C
 Max. permitted ambient temperature t_R at n_{max}: 45 °C
 Electrical connection: integrated Controller
 Number of blades: 7
 Balancing quality: G 2.5
 Protection class: IP54
 Motor protection: Integrated active temperature management
 Impeller: ZAmid, uncoated, Ultramarine blue
 Conformity: ErP 2015, CE

ErP-data

Efficiency η_{statA}: 68.3 %
 Efficiency: N_{actual} = 77.7 / N_{target} = 62**
 EC controller integrated

*Rated data
 **ErP 2015

Characteristic curve

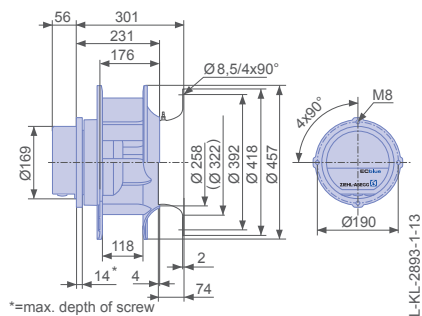


measured with inlet ring, without guard grille according to ISO 5801

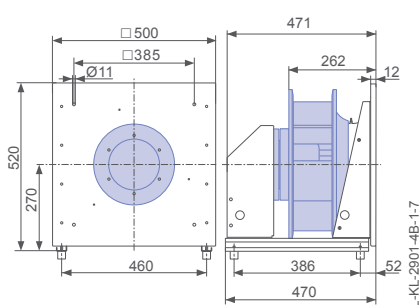
➤ Inlet ring	00401297	Page 450
➤ Connection diagram	1360-401	Page 548
➤ Rubber dampers	30x30 / 40	Page 454
➤ Spring vibration dampers	MSN 4	Page 454
➤ System components		Page 448

Dimensions [mm]

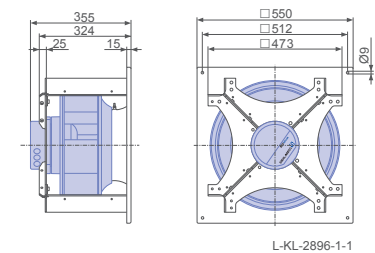
Free-running motor impeller RH
 in installation position H/V/u/Vo



Plug fan ER in installation position H



Ventilation unit GR in installation position H

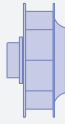
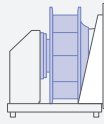
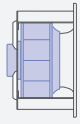
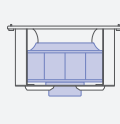
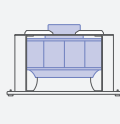


Performance data

Type	Characteristic curve	Speed	Operating point	Current	Motor input power	Suction side sound power level	Maximum ambient temperature
		n [min ⁻¹]		I [A]	P _{sys} [W]	L _{WAS} [dB]	
_40C-ZID.DC.CR	I	1950	①	2.30	500	79	45
		1950	②	5.60	1250	73	
		1950	③	3.50	780	85	
	II	1650	④	1.45	310	74	60
		1650	⑤	3.40	780	68	
		1650	⑥	2.20	480	82	
	III	1400	⑦	0.96	200	70	
		1400	⑧	2.20	480	64	
		1400	⑨	1.45	300	77	
	IV	1150	⑩	0.60	130	64	
		1150	⑪	1.30	270	60	
		1150	⑫	0.82	180	71	
	V	900	⑬	0.39	70	58	
		900	⑭	0.66	140	54	
		900	⑮	0.50	100	65	

Current values determined at 230V

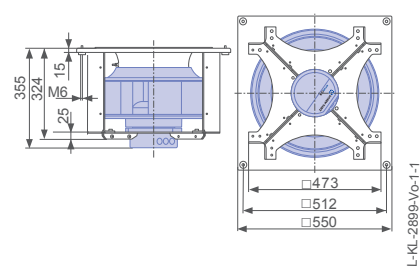
Fan ordering information

Design	RH*	ER**	GR**	GR**	GR**
Installation position	H/Vu/Vo	H	H	Vo	Vu
					
Type	RH40C-ZID.DC.CR	ER40C-ZID.DC.CR	GR40C-ZID.DC.CR	GR40C-ZID.DC.CR	GR40C-ZID.DC.CR
Basic electronics					
Article no.	114508	114593/A01	114545/H01	114545/O01	114545/U01
Premium electronics					
Article no.	114509				
Weight [kg]	12.00	25.00	28.00	29.00	29.00
	* Inlet ring not included				
	** Inlet ring integrated				

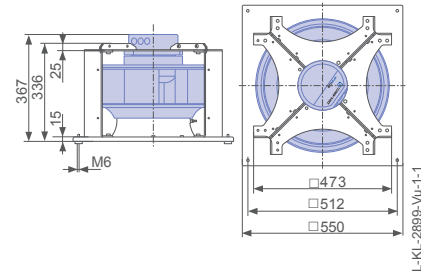
Control technology

Control module	Operating terminal	Expansion module
		
➤ Page 464	➤ Page 476	➤ Page 473

Ventilation unit GR in installation position Vo



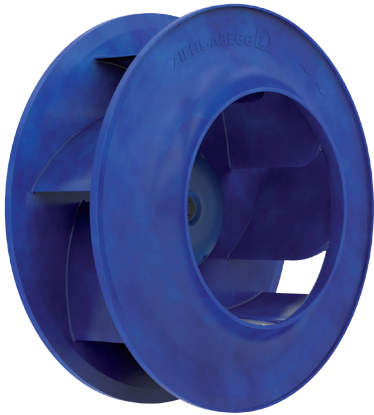
Ventilation unit GR in installation position Vu



Cpro-ECblue

for three phase alternating current, 200-240 V

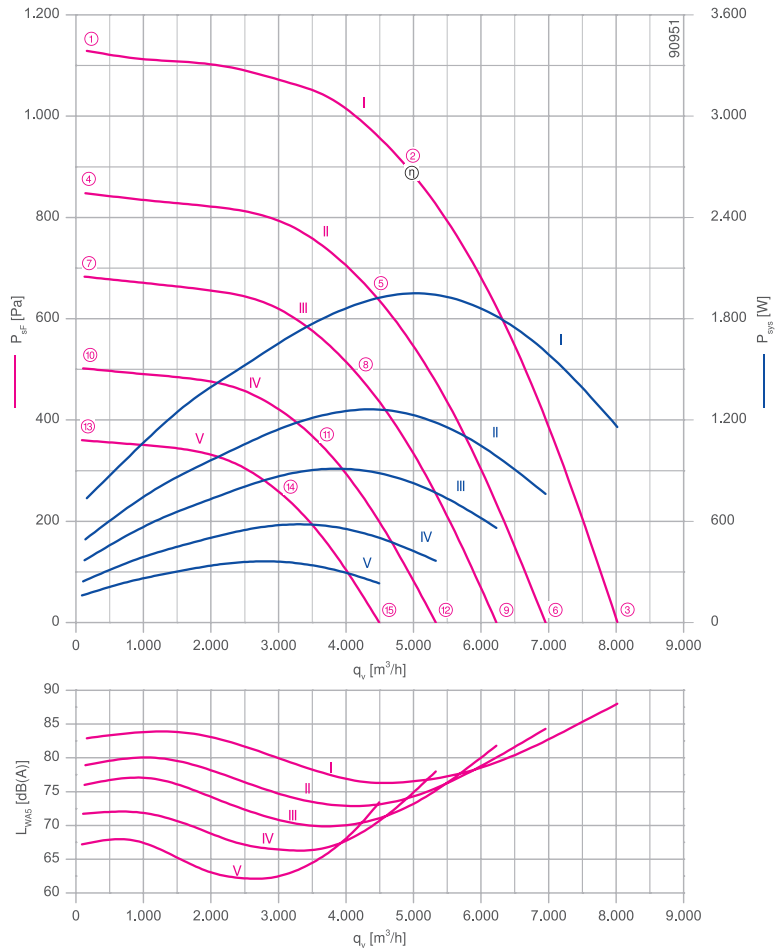
RH40C-ZID



Description

Motor technology: EC
 Rated voltage U: **3-200-240 V***
 Rated frequency f: **50/60 Hz***
 Motor input power P: **1.95 kW***
 Rated current I: **5.90-4.90 A***
 Rated speed n: **2250 min⁻¹***
 Thermal class: **THCL155***
 Min. permitted ambient temperature t_{r1} : -20 °C
 Max. permitted ambient temperature t_{r2} at n_{max} : 50 °C
 Electrical connection: integrated Controller
 Number of blades: 7
 Balancing quality: G 2.5
 Protection class: IP54
 Motor protection: Integrated active temperature management
 Impeller: ZAmid, uncoated, Ultramarine blue
 Conformity: ErP 2015, CE
ErP-data
 Efficiency η_{stat}^* : 68.9 %
 Efficiency: $N_{actual} = 76.3 / N_{target} = 62^{**}$
 EC controller integrated
 *Rated data
 **ErP 2015

Characteristic curve

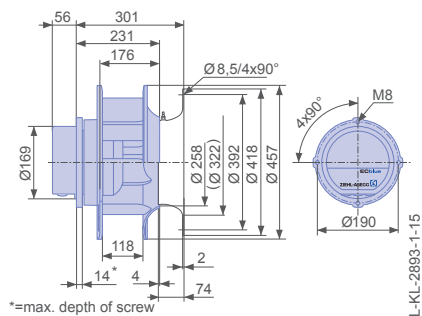


measured with inlet ring, without guard grille according to ISO 5801

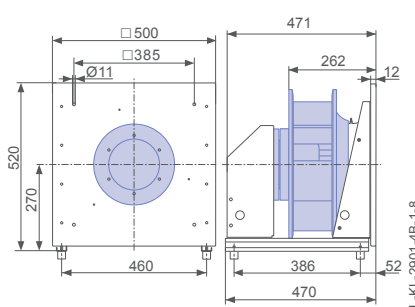
➤ Inlet ring	00401297	Page 450
➤ Connection diagram	1360-401	Page 548
➤ Rubber dampers	30x30 / 40	Page 454
➤ Spring vibration dampers	MSN 4	Page 454
➤ System components		Page 448

Dimensions [mm]

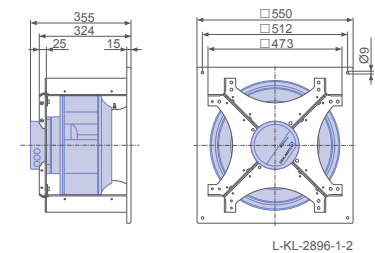
Free-running motor impeller RH in installation position H/u/Vo



Plug fan ER in installation position H



Ventilation unit GR in installation position H

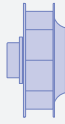
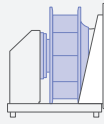
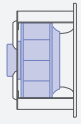
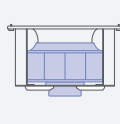
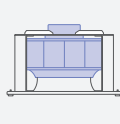


Performance data

Type	Characteristic curve	Speed	Operating point	Current	Motor input power	Suction side sound power level	Maximum ambient temperature
		n [min ⁻¹]		I [A]	P _{sys} [W]	L _{WAS} [dB]	
_40C-ZID.DC.CR	I	2250	①	1.95	740	83	50
		2250	②	5.20	1950	77	
		2250	③	3.00	1150	88	
	II	1950	④	1.35	500	79	60
		1950	⑤	3.30	1250	73	
		1950	⑥	2.00	760	84	
	III	1750	⑦	1.00	370	76	
		1750	⑧	2.40	900	70	
		1750	⑨	1.50	560	82	
	IV	1500	⑩	0.72	240	72	
		1500	⑪	1.55	580	66	
		1500	⑫	1.00	370	78	
	V	1270	⑬	0.52	160	67	
		1270	⑭	1.00	360	62	
		1270	⑮	0.68	230	73	

Current values determined at 230V

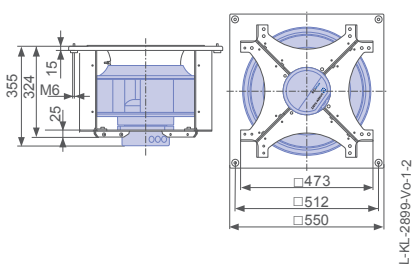
Fan ordering information

Design	RH*	ER**	GR**	GR**	GR**
Installation position	H/Vu/Vo	H	H	Vo	Vu
					
Type	RH40C-ZID.DC.CR	ER40C-ZID.DC.CR	GR40C-ZID.DC.CR	GR40C-ZID.DC.CR	GR40C-ZID.DC.CR
Basic electronics					
Article no.	114510	114594/A01	114546/H01	114546/O01	114546/U01
Premium electronics					
Article no.	114511				
Weight [kg]	12.00	25.00	28.00	28.00	28.00
	* Inlet ring not included				
	** Inlet ring integrated				

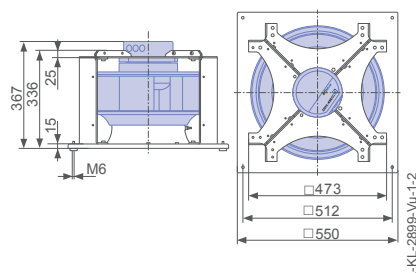
Control technology

Control module  ➤ Page 464	Operating terminal  ➤ Page 476	Expansion module  ➤ Page 473
---------------------------------------------------------------------------------------------------------------------	-------------------------------------------------------------------------------------------------------------------------	-----------------------------------------------------------------------------------------------------------------------

Ventilation unit GR in installation position Vo



Ventilation unit GR in installation position Vu



Cpro-ECblue

for three phase alternating current, 200-240 V

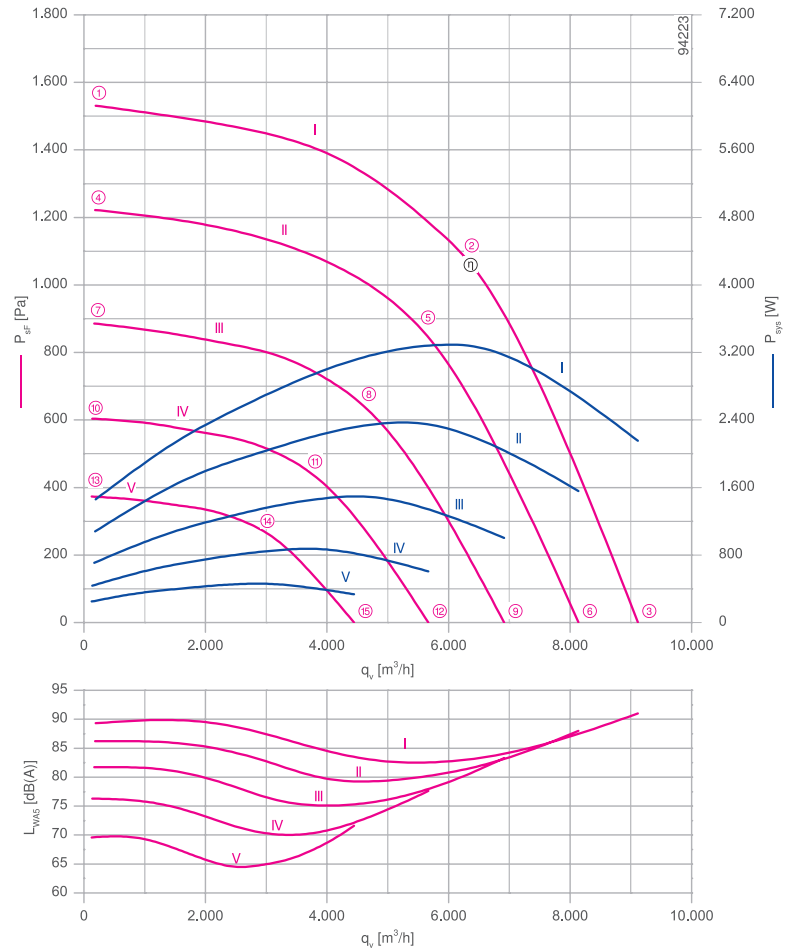
RH40C-ZID



Description

Motor technology: EC
 Rated voltage U: **3-200-240 V***
 Rated frequency f: **50/60 Hz***
 Motor input power P: **3.30 kW***
 Rated current I: **10.00-8.40 A***
 Rated speed n: **2630 min⁻¹***
 Thermal class: **THCL155***
 Min. permitted ambient temperature t_{R} : -20 °C
 Max. permitted ambient temperature t_{R} at n_{max} : 50 °C
 Electrical connection: integrated Controller
 Number of blades : 7
 Balancing quality: G 2.5
 Protection class: IP54
 Motor protection: Integrated active temperature management
 Impeller : ZAmid, uncoated, Ultramarine blue
 Conformity: ErP 2015, CE
ErP-data
 Efficiency η_{statA} : 61.8 %
 Efficiency: $N_{actual} = 66.9 / N_{target} = 62^{**}$
 EC controller integrated
 *Rated data
 **ErP 2015

Characteristic curve

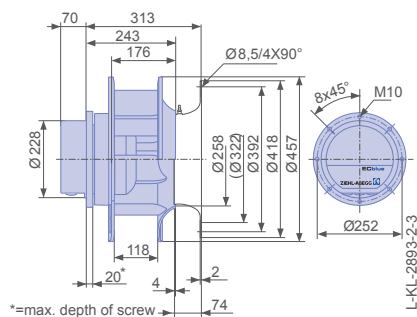


measured with inlet ring, without guard grille according to ISO 5801

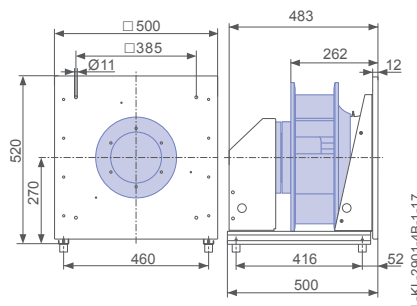
➤ Inlet ring	00401297	Page 450
➤ Connection diagram	1360-401	Page 548
➤ Rubber dampers	30x30 / 40	Page 454
➤ Spring vibration dampers	MSN 4	Page 454
➤ System components		Page 448

Dimensions [mm]

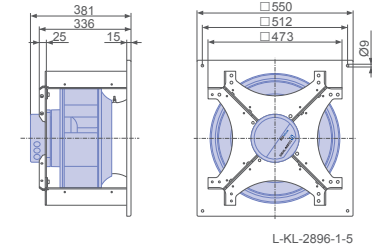
Free-running motor impeller RH in installation position H/V/u/Vo



Plug fan ER in installation position H



Ventilation unit GR in installation position H

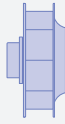
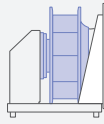
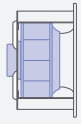
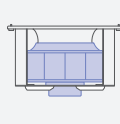
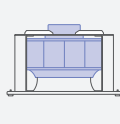


Performance data


Type	Characteristic curve	Speed	Operating point	Current	Motor input power	Suction side sound power level	Maximum ambient temperature
		n [min ⁻¹]		I [A]	P _{sys} [W]	L _{WAS} [dB]	
_40C-ZID.GG.CR	I	2630	①	3.90	1450	89	50
		2630	②	8.60	3300	83	
		2630	③	5.60	2200	91	
	II	2350	④	2.90	1100	86	60
		2350	⑤	6.20	2400	80	
		2350	⑥	4.20	1550	88	
	III	2000	⑦	1.90	700	82	
		2000	⑧	3.90	1500	76	
		2000	⑨	2.70	1000	83	
	IV	1650	⑩	1.20	440	76	
		1650	⑪	2.30	880	70	
		1650	⑫	1.65	600	78	
	V	1300	⑬	0.76	250	70	
		1300	⑭	1.25	460	65	
		1300	⑮	0.96	330	72	

Current values determined at 230V

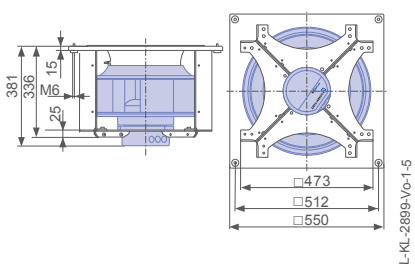
Fan ordering information

Design	RH*	ER**	GR**	GR**	GR**
Installation position	H/Vu/Vo	H	H	Vo	Vu
					
Type	RH40C-ZID.GG.CR	ER40C-ZID.GG.CR	GR40C-ZID.GG.CR	GR40C-ZID.GG.CR	GR40C-ZID.GG.CR
Basic electronics					
Article no.	114605	114663/A01	114643/H01	114643/O01	114643/U01
Premium electronics					
Article no.	114606				
Weight [kg]	21.00	34.00	37.00	37.00	37.00
	* Inlet ring not included				
	** Inlet ring integrated				

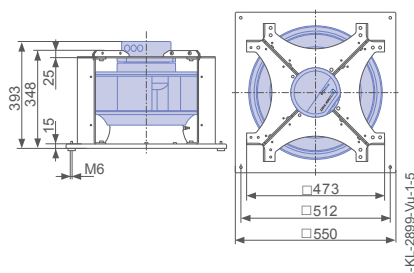
Control technology

Control module  ➤ Page 464	Operating terminal  ➤ Page 476	Expansion module  ➤ Page 473
---------------------------------------------------------------------------------------------------------------------	-------------------------------------------------------------------------------------------------------------------------	-----------------------------------------------------------------------------------------------------------------------

Ventilation unit GR in installation position Vo



Ventilation unit GR in installation position Vu



Cpro-ECblue

for three phase alternating current, 380-480 V

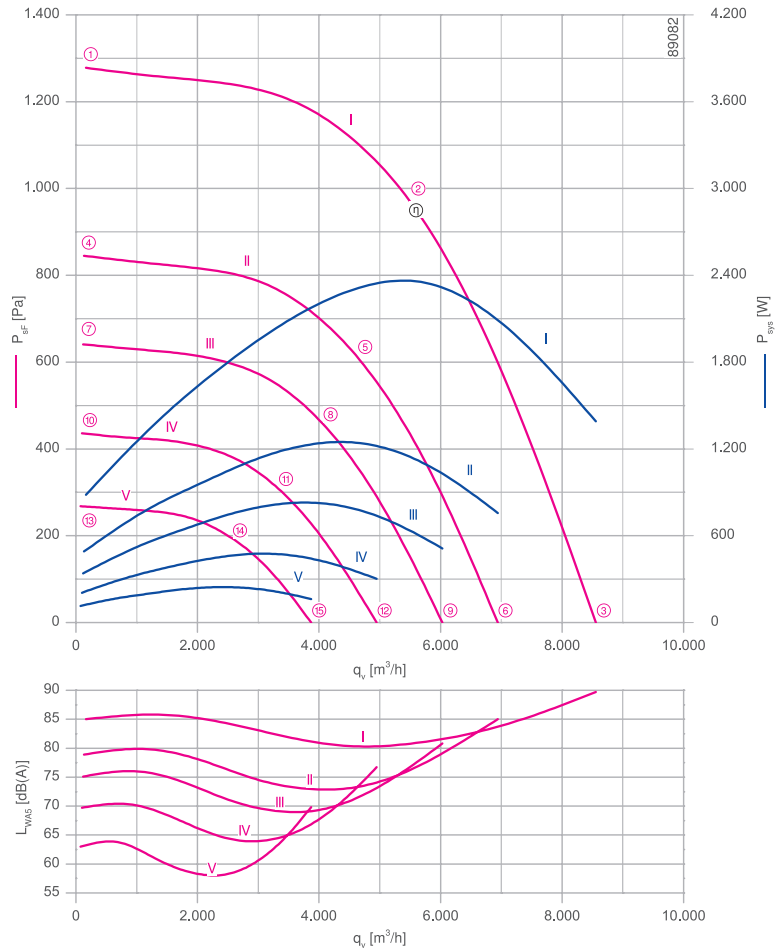
RH40C-ZID



Description

Motor technology: EC
 Rated voltage U: **3-380-480 V***
 Rated frequency f: **50/60 Hz***
 Motor input power P: **2.40 kW***
 Rated current I: **3.90-3.10 A***
 Rated speed n: **2400 min⁻¹***
 Thermal class: **THCL155***
 Min. permitted ambient temperature t_{r1} : -20 °C
 Max. permitted ambient temperature t_{r2} at n_{max} : 40 °C
 Electrical connection: integrated Controller
 Number of blades : 7
 Balancing quality: G 2.5
 Protection class: IP54
 Motor protection: Integrated active temperature management
 Impeller : ZAmid, uncoated, Ultramarine blue
 Conformity: ErP 2015, CE
ErP-data
 Efficiency η_{statA} : 70.3 %
 Efficiency: $N_{actual} = 79.8 / N_{target} = 62^{**}$
 EC controller integrated
 *Rated data
 **ErP 2015

Characteristic curve

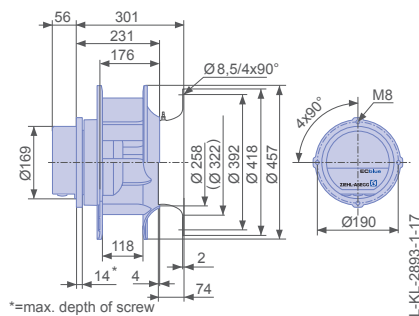


measured with inlet ring, without guard grille according to ISO 5801

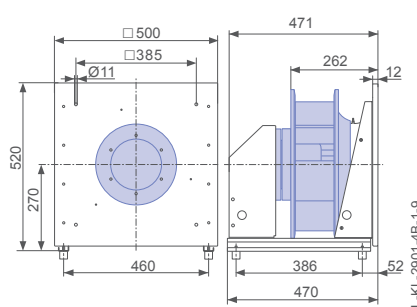
➤ Inlet ring	00401297	Page 450
➤ Connection diagram	1360-401	Page 548
➤ Rubber dampers	30x30 / 40	Page 454
➤ Spring vibration dampers	MSN 4	Page 454
➤ System components		Page 448

Dimensions [mm]

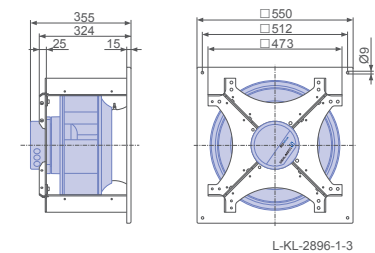
Free-running motor impeller RH in installation position H/V/u/Vo



Plug fan ER in installation position H



Ventilation unit GR in installation position H

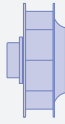
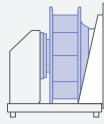
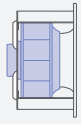
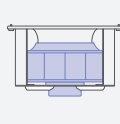
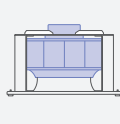


Performance data




Type	Characteristic curve	Speed	Operating point	Current	Motor input power	Suction side sound power level	Maximum ambient temperature
		n [min ⁻¹]		I [A]	P _{sys} [W]	L _{WAS} [dB]	
_40C-ZID.DC.CR	I	2400	①	1.45	880	85	40
		2400	②	3.70	2400	81	
		2400	③	2.20	1400	90	
	II	2300	④	1.30	780	84	60
		2300	⑤	3.20	2100	77	
		2300	⑥	1.95	1200	89	
	III	1950	⑦	0.90	500	79	
		1950	⑧	2.00	1250	73	
		1950	⑨	1.30	760	85	
	IV	1700	⑩	0.68	340	75	
		1700	⑪	1.40	820	69	
		1700	⑫	0.92	520	81	
	V	1400	⑬	0.50	210	70	
		1400	⑭	0.88	480	64	
		1400	⑮	0.64	300	77	

Current values determined at 400V

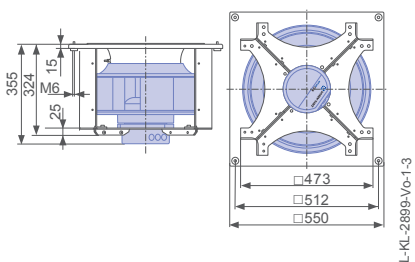
Fan ordering information

Design	RH*	ER**	GR**	GR**	GR**
Installation position	H/Vu/Vo	H	H	Vo	Vu
					
Type	RH40C-ZID.DC.CR	ER40C-ZID.DC.CR	GR40C-ZID.DC.CR	GR40C-ZID.DC.CR	GR40C-ZID.DC.CR
Basic electronics					
Article no.	114512	114595/A01	114547/H01	114547/O01	114547/U01
Premium electronics					
Article no.	114513				
Weight [kg]	12.00	25.00	28.00	29.00	29.00
	* Inlet ring not included				
	** Inlet ring integrated				

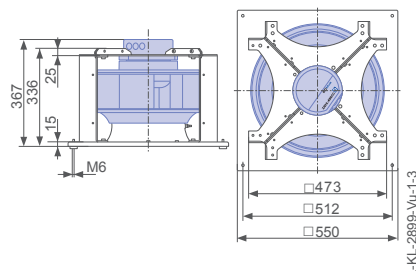
Control technology

Control module  ➤ Page 464	Operating terminal  ➤ Page 476	Expansion module  ➤ Page 473
---------------------------------------------------------------------------------------------------------------------	-------------------------------------------------------------------------------------------------------------------------	-----------------------------------------------------------------------------------------------------------------------

Ventilation unit GR in installation position Vo



Ventilation unit GR in installation position Vu



Cpro-ECblue

for three phase alternating current, 380-480 V

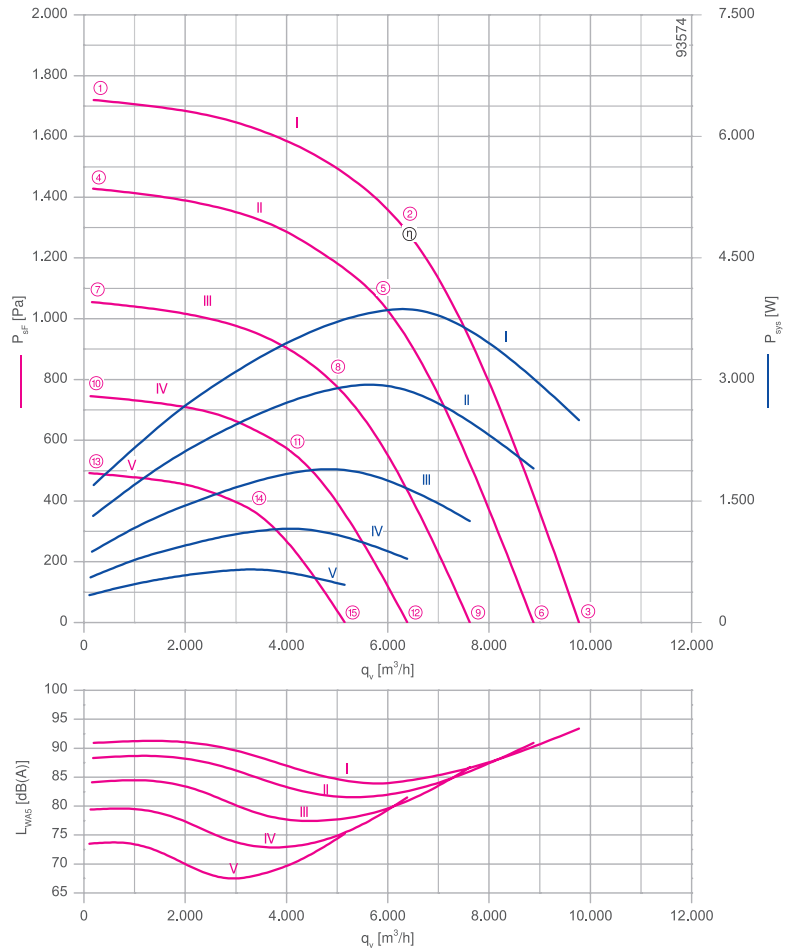
RH40C-ZID



Description

Motor technology: EC
 Rated voltage U: **3-380-480 V***
 Rated frequency f: **50/60 Hz***
 Motor input power P: **3.90 kW***
 Rated current I: **6.20-5.00 A***
 Rated speed n: **2810 min⁻¹***
 Thermal class: **THCL155***
 Min. permitted ambient temperature t_{r1} : -20 °C
 Max. permitted ambient temperature t_{r2} at n_{max} : 55 °C
 Electrical connection: integrated Controller
 Number of blades : 7
 Balancing quality: G 2.5
 Protection class: IP54
 Motor protection: Integrated active temperature management
 Impeller : ZAmid, uncoated, Ultramarine blue
 Conformity: ErP 2015, CE
ErP-data
 Efficiency η_{statA} : 63.3 %
 Efficiency: $N_{actual} = 67.7 / N_{target} = 62^{**}$
 EC controller integrated
 *Rated data
 **ErP 2015

Characteristic curve

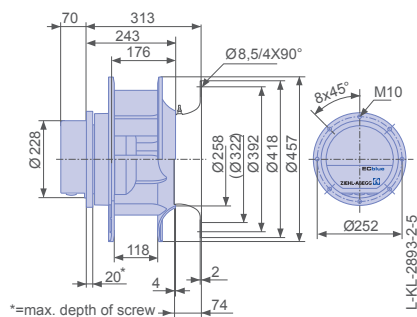


measured with inlet ring, without guard grille according to ISO 5801

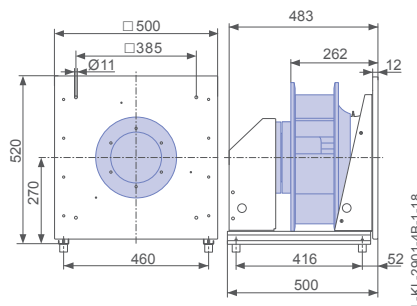
➤ Inlet ring	00401297	Page 450
➤ Connection diagram	1360-401	Page 548
➤ Rubber dampers	30x30 / 40	Page 454
➤ Spring vibration dampers	MSN 4	Page 454
➤ System components		Page 448

Dimensions [mm]

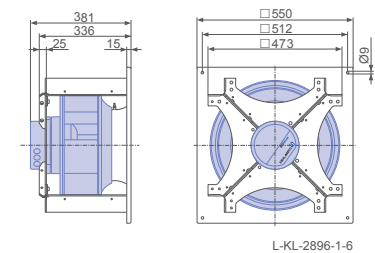
Free-running motor impeller RH in installation position H/Vu/Vo



Plug fan ER in installation position H



Ventilation unit GR in installation position H

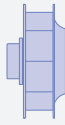
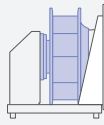
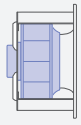
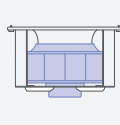
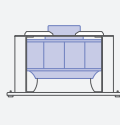


Performance data


Type	Characteristic curve	Speed	Operating point	Current	Motor input power	Suction side sound power level	Maximum ambient temperature
		n [min ⁻¹]		I [A]	P _{sys} [W]	L _{WAS} [dB]	
_40C-ZID.GG.CR	I	2810	①	2.70	1700	91	55
		2810	②	6.00	3900	84	
		2810	③	3.80	2500	93	
	II	2560	④	2.10	1300	88	60
		2560	⑤	4.60	2900	82	
		2560	⑥	2.90	1900	91	
	III	2200	⑦	1.45	880	84	
		2200	⑧	2.90	1900	78	
		2200	⑨	2.00	1250	87	
	IV	1850	⑩	1.00	560	79	
		1850	⑪	1.85	1150	73	
		1850	⑫	1.30	780	82	
	V	1500	⑬	0.70	340	74	
		1500	⑭	1.15	660	68	
		1500	⑮	0.88	460	75	

Current values determined at 400V

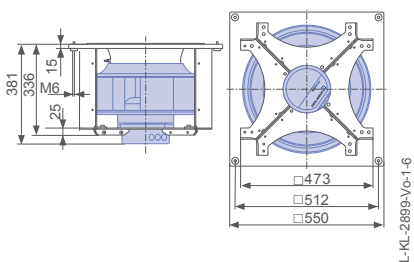
Fan ordering information

Design	RH*	ER**	GR**	GR**	GR**
Installation position	H/Vu/Vo	H	H	Vo	Vu
					
Type	RH40C-ZID.GG.CR	ER40C-ZID.GG.CR	GR40C-ZID.GG.CR	GR40C-ZID.GG.CR	GR40C-ZID.GG.CR
Basic electronics					
Article no.	114607	114664/A01	114644/H01	114644/O01	114644/U01
Premium electronics					
Article no.	114608				
Weight [kg]	21.00	34.00	37.00	37.00	37.00
* Inlet ring not included					
** Inlet ring integrated					

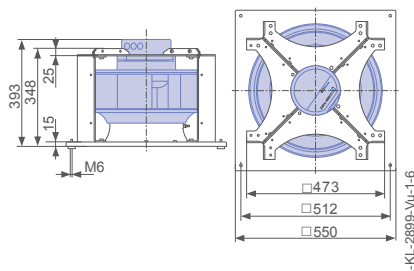
Control technology

Control module	Operating terminal	Expansion module
		
➤ Page 464	➤ Page 476	➤ Page 473

Ventilation unit GR in installation position Vo



Ventilation unit GR in installation position Vu



Cpro-ECblue

for three phase alternating current, 380-480 V

RH40C-ZID



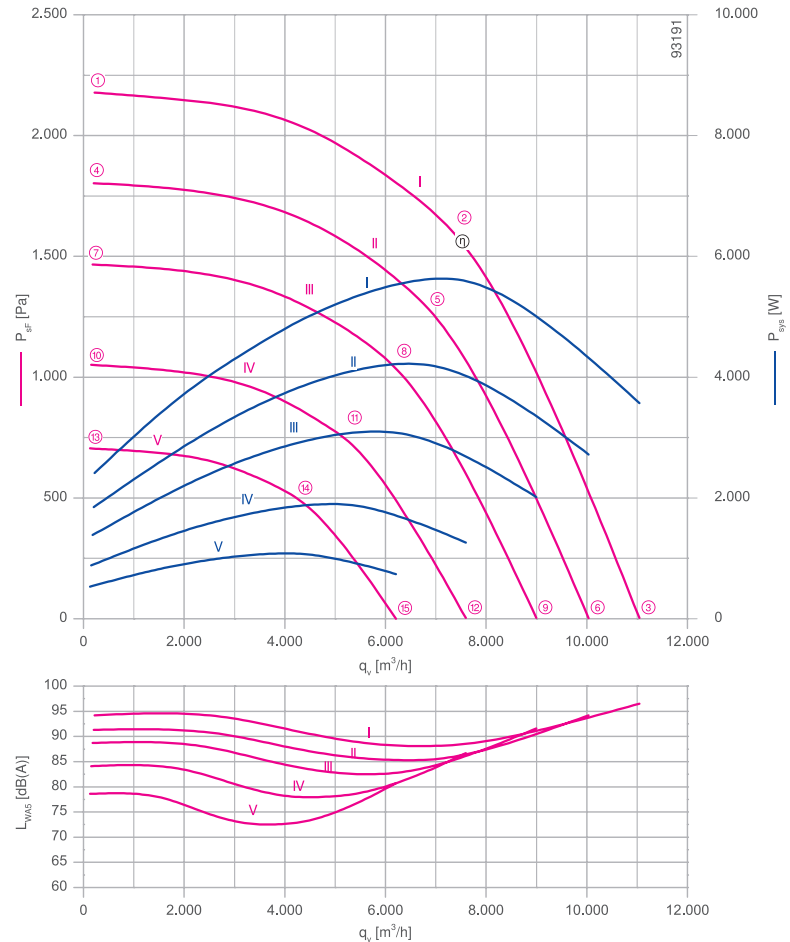
Description

Motor technology: EC
 Rated voltage U: **3-380-480 V***
 Rated frequency f: **50/60 Hz***
 Motor input power P: **5,60 kW***
 Rated current I: **9,00-7,10 A***
 Rated speed n: **3170 min⁻¹***
 Thermal class: **THCL155***
 Min. permitted ambient temperature t_{R} : -20 °C
 Max. permitted ambient temperature t_{R} at n_{max} : 40 °C
 Electrical connection: integrated Controller
 Number of blades : 7
 Balancing quality: G 2.5
 Protection class: IP54
 Motor protection: Integrated active temperature management
 Impeller : ZAmid, uncoated, Ultramarine blue
 Conformity: ErP 2015, CE

ErP-data

Efficiency η_{statA} : 61.8 %
 Efficiency: $N_{actual} = 64.4 / N_{target} = 62^{**}$
 EC controller integrated
 *Rated data
 **ErP 2015

Characteristic curve

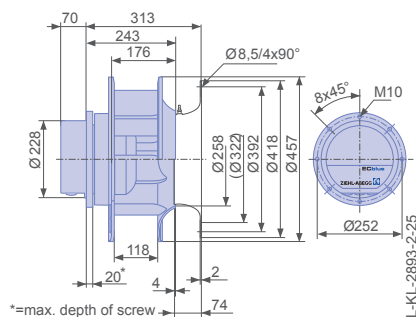


measured with inlet ring, without guard grille according to ISO 5801

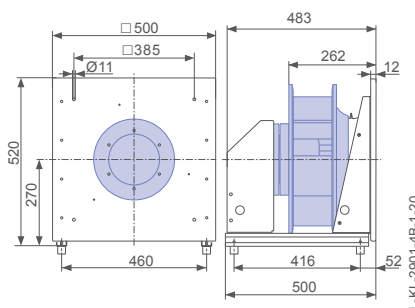
- Inlet ring 00401297 Page 450
- Connection diagram 1360-401 Page 548
- Rubber dampers 30x30 / 40 Page 454
- Spring vibration dampers MSN 4 Page 454
- System components Page 448

Dimensions [mm]

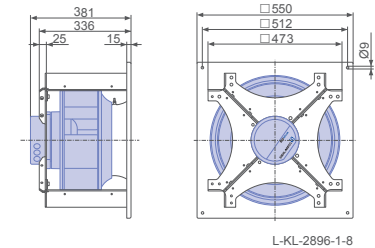
Free-running motor impeller RH in installation position H/Vu/Vo



Plug fan ER in installation position H



Ventilation unit GR in installation position H

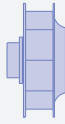
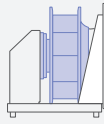
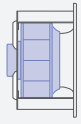
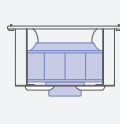
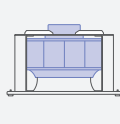


Performance data




Type	Characteristic curve	Speed	Operating point	Current	Motor input power	Suction side sound power level	Maximum ambient temperature
		n [min ⁻¹]		I [A]	P _{sys} [W]	L _{WAS} [dB]	
_40C-ZID.GG.CR	I	3170	①	3.70	2400	94	40
		3170	②	8.60	5600	88	
		3170	③	5.40	3600	97	
	II	2880	④	2.90	1850	91	60
		2880	⑤	6.40	4200	85	
		2880	⑥	4.20	2700	94	
	III	2600	⑦	2.20	1400	89	
		2600	⑧	4.80	3100	83	
		2600	⑨	3.10	2000	92	
	IV	2200	⑩	1.50	880	84	
		2200	⑪	2.90	1900	78	
		2200	⑫	2.00	1250	87	
	V	1800	⑬	1.00	540	79	
		1800	⑭	1.75	1100	73	
		1800	⑮	1.30	740	81	

Current values determined at 400V

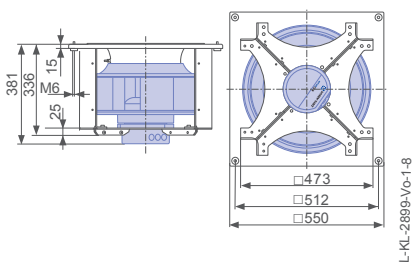
Fan ordering information

Design	RH*	ER**	GR**	GR**	GR**
Installation position	H/Vu/Vo	H	H	Vo	Vu
					
Type	RH40C-ZID.GG.CR	ER40C-ZID.GG.CR	GR40C-ZID.GG.CR	GR40C-ZID.GG.CR	GR40C-ZID.GG.CR
Basic electronics					
Article no.	114703	114729/A01	114720/H01	114720/O01	114720/U01
Premium electronics					
Article no.	114704				
Weight [kg]	21.00	34.00	37.00	37.00	37.00
* Inlet ring not included					
** Inlet ring integrated					

Control technology

Control module  ➤ Page 464	Operating terminal  ➤ Page 476	Expansion module  ➤ Page 473
---------------------------------------------------------------------------------------------------------------------	-------------------------------------------------------------------------------------------------------------------------	-----------------------------------------------------------------------------------------------------------------------

Ventilation unit GR in installation position Vo



Ventilation unit GR in installation position Vu

