

# Cpro-ECblue

for single phase alternating current, 200-277 V

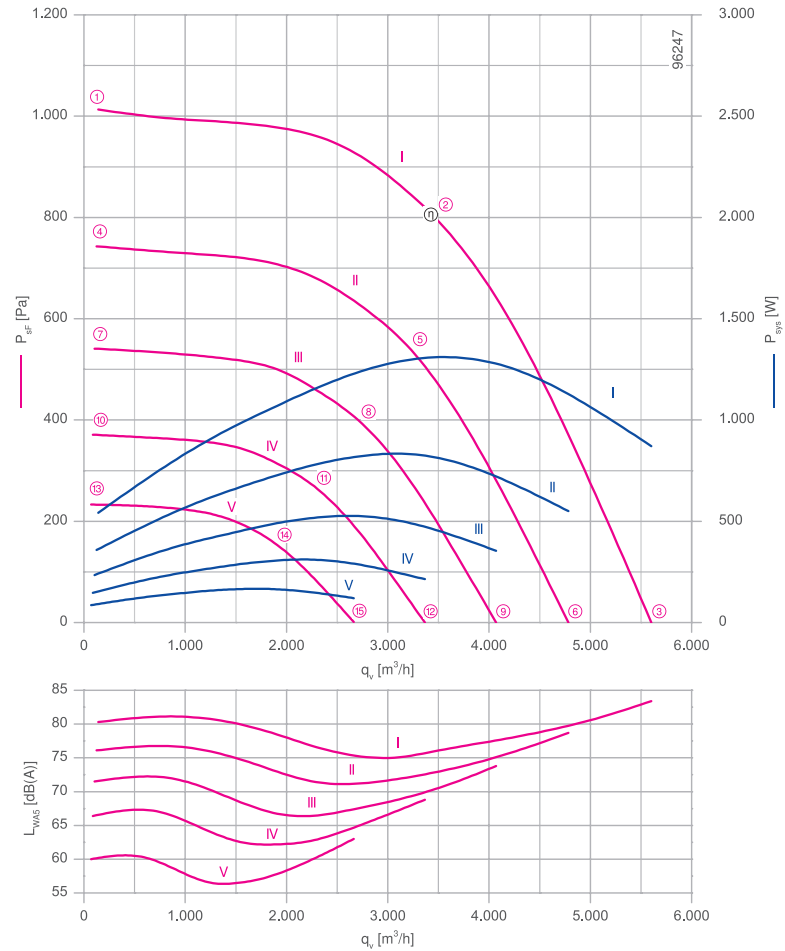
RH35C-ZIK



## Description

Motor technology: EC  
 Rated voltage U: 1-200-277 V\*  
 Rated frequency f: 50/60 Hz\*  
 Motor input power P: 1.30 kW\*  
 Rated current I: 6.80-5.00 A\*  
 Rated speed n: 2390 min<sup>-1</sup>\*  
 Thermal class: THCL155\*  
 Min. permitted ambient temperature t<sub>R</sub>: -20 °C  
 Max. permitted ambient temperature t<sub>R</sub> at n<sub>max</sub>: 45 °C  
 Electrical connection: integrated Controller  
 Number of blades : 7  
 Balancing quality: G 6.3  
 Protection class: IP54  
 Motor protection: Integrated active temperature management  
 Impeller : ZAmid, uncoated, Ultramarine blue  
 Conformity: ErP 2015, CE  
**ErP-data**  
 Efficiency η<sub>stat</sub>\*: 65.1 %  
 Efficiency: N<sub>actual</sub> = 74.4 / N<sub>target</sub> = 62\*\*  
 EC controller integrated  
 \*Rated data  
 \*\*ErP 2015

## Characteristic curve

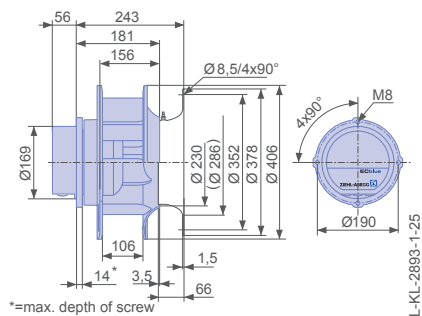


measured with inlet ring, without guard grille according to ISO 5801

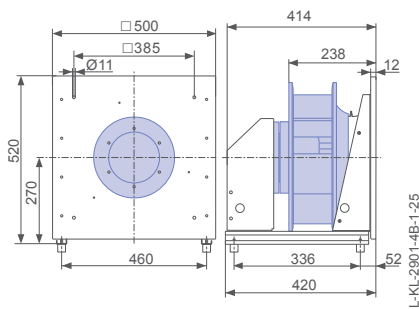
➤ Inlet ring	00401296	Page 450
➤ Connection diagram	1360-401	Page 548
➤ Rubber dampers	30x30 / 40	Page 454
➤ Spring vibration dampers	MSN 4	Page 454
➤ System components		Page 448

## Dimensions [mm]

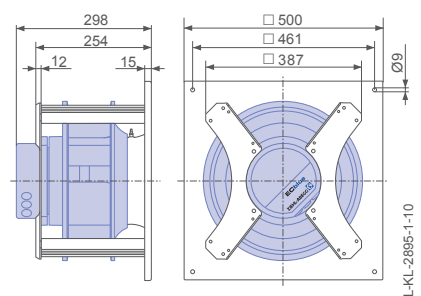
Free-running motor impeller RH in installation position H/V/u/Vo



Plug fan ER in installation position H



Ventilation unit GR in installation position H

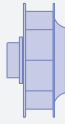
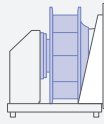
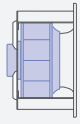
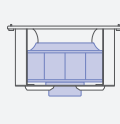
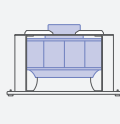


Performance data




Type	Characteristic curve	Speed	Operating point	Current	Motor input power	Suction side sound power level	Maximum ambient temperature
		n [min <sup>-1</sup> ]		I [A]	P <sub>sys</sub> [W]	L <sub>WAS</sub> [dB]	
_35C-ZIK.DC.CR	I	2390	①	2.50	540	80	45
		2390	②	5.80	1300	77	
		2390	③	3.90	880	83	
	II	2050	④	1.70	360	76	60
		2050	⑤	3.80	840	72	
		2050	⑥	2.60	560	79	
	III	1750	⑦	1.10	230	72	
		1750	⑧	2.50	520	67	
		1750	⑨	1.70	350	74	
	IV	1450	⑩	0.70	150	66	
		1450	⑪	1.45	310	63	
		1450	⑫	1.00	210	69	
	V	1150	⑬	0.44	85	60	
		1150	⑭	0.76	170	57	
		1150	⑮	0.58	120	63	

Current values determined at 230V

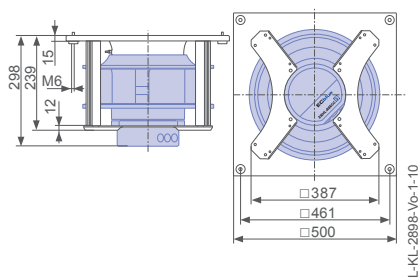
Fan ordering information

Design	RH*	ER**	GR**	GR**	GR**
Installation position	H/Vu/Vo	H	H	Vo	Vu
					
<b>Type</b>	<b>RH35C-ZIK.DC.CR</b>	<b>ER35C-ZIK.DC.CR</b>	<b>GR35C-ZIK.DC.CR</b>	<b>GR35C-ZIK.DC.CR</b>	<b>GR35C-ZIK.DC.CR</b>
Basic electronics					
<b>Article no.</b>	<b>114490</b>	<b>114584/A01</b>	<b>114536/H01</b>	<b>114536/O01</b>	<b>114536/U01</b>
Premium electronics					
<b>Article no.</b>	<b>114491</b>				
Weight [kg]	11.00	22.00	18.00	18.00	18.00
	* Inlet ring not included				
	** Inlet ring integrated				

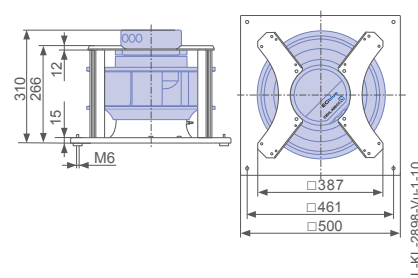
Control technology

Control module  ➤ Page 464	Operating terminal  ➤ Page 476	Expansion module  ➤ Page 473
---------------------------------------------------------------------------------------------------------------------	-------------------------------------------------------------------------------------------------------------------------	-----------------------------------------------------------------------------------------------------------------------

Ventilation unit GR in installation position Vo



Ventilation unit GR in installation position Vu



# Cpro-ECblue

for three phase alternating current, 200-240 V

RH35C-ZIK



## Description

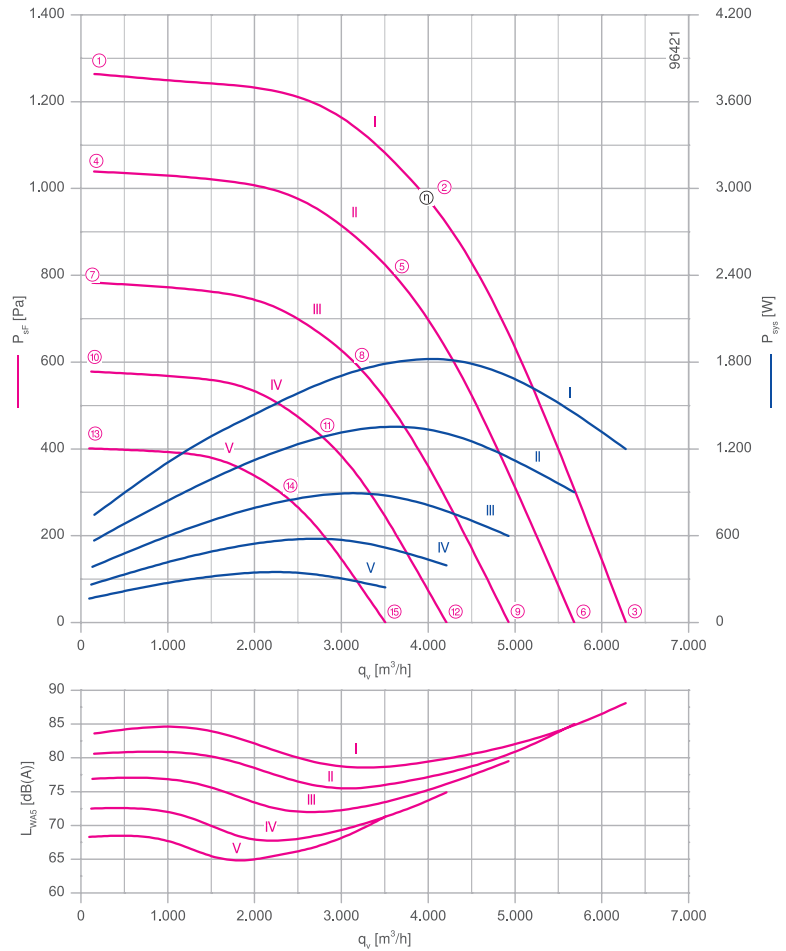
Motor technology: EC  
 Rated voltage U: **3-200-240 V\***  
 Rated frequency f: **50/60 Hz\***  
 Motor input power P: **1.80 kW\***  
 Rated current I: **5.60-4.60 A\***  
 Rated speed n: **2670 min<sup>-1</sup>\***  
 Thermal class: **THCL155\***  
 Min. permitted ambient temperature  $t_{r1}$ : -20 °C  
 Max. permitted ambient temperature  $t_{r2}$  at  $n_{max}$ : 55 °C  
 Electrical connection: integrated Controller  
 Number of blades : 7  
 Balancing quality: G 6.3  
 Protection class: IP54  
 Motor protection: Integrated active temperature management  
 Impeller : ZAmid, uncoated, Ultramarine blue  
 Conformity: ErP 2015, CE

### ErP-data

Efficiency  $\eta_{stat}^*$ : 65.3 %  
 Efficiency:  $N_{actual} = 73.1 / N_{target} = 62^{**}$   
 EC controller integrated

\*Rated data  
 \*\*ErP 2015

## Characteristic curve

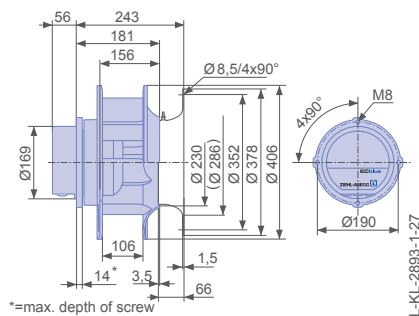


measured with inlet ring, without guard grille according to ISO 5801

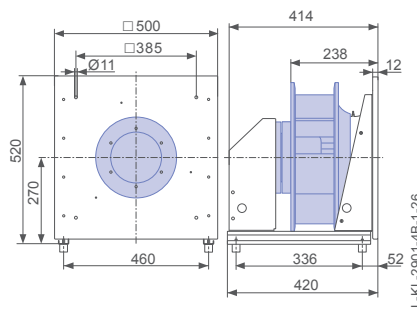
➤ Inlet ring	00401296	Page 450
➤ Connection diagram	1360-401	Page 548
➤ Rubber dampers	30x30 / 40	Page 454
➤ Spring vibration dampers	MSN 4	Page 454
➤ System components		Page 448

## Dimensions [mm]

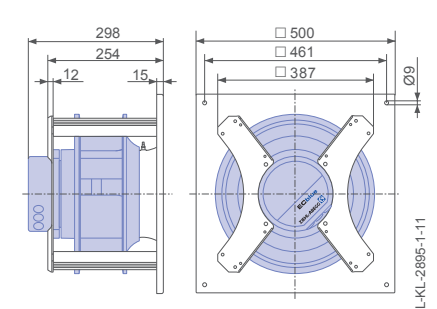
Free-running motor impeller RH in installation position H/V/u/Vo



Plug fan ER in installation position H



Ventilation unit GR in installation position H



Performance data

Type	Characteristic curve	Speed	Operating point	Current	Motor input power	Suction side sound power level	Maximum ambient temperature
		n [min <sup>-1</sup> ]		I [A]	P <sub>sys</sub> [W]	L <sub>WAS</sub> [dB]	
_35C-ZIK.DC.CR	I	2670	①	2.00	740	84	55
		2670	②	4.80	1800	80	
		2670	③	3.20	1200	88	
	II	2420	④	1.55	560	81	60
		2420	⑤	3.60	1350	76	
		2420	⑥	2.40	900	85	
	III	2100	⑦	1.10	390	77	
		2100	⑧	2.40	900	73	
		2100	⑨	1.65	600	80	
	IV	1800	⑩	0.80	260	73	
		1800	⑪	1.60	580	68	
		1800	⑫	1.10	400	75	
	V	1500	⑬	0.58	170	68	
		1500	⑭	1.00	350	66	
		1500	⑮	0.74	240	71	

Current values determined at 230V

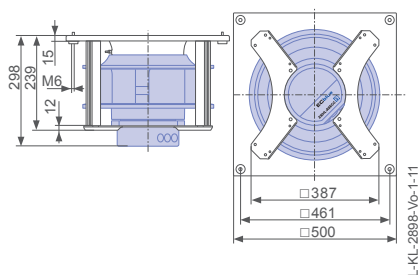
Fan ordering information

Design	RH*	ER**	GR**	GR**	GR**
Installation position	H/Vu/Vo	H	H	Vo	Vu
					
<b>Type</b>	<b>RH35C-ZIK.DC.CR</b>	<b>ER35C-ZIK.DC.CR</b>	<b>GR35C-ZIK.DC.CR</b>	<b>GR35C-ZIK.DC.CR</b>	<b>GR35C-ZIK.DC.CR</b>
Basic electronics					
<b>Article no.</b>	<b>114492</b>	<b>114585/A01</b>	<b>114537/H01</b>	<b>114537/O01</b>	<b>114537/U01</b>
Premium electronics					
<b>Article no.</b>	<b>114493</b>				
Weight [kg]	11.00	22.00	18.00	18.00	18.00
	* Inlet ring not included				
	** Inlet ring integrated				

Control technology

Control module	Operating terminal	Expansion module
		
➤ Page 464	➤ Page 476	➤ Page 473

Ventilation unit GR in installation position Vo



Ventilation unit GR in installation position Vu

