

P-series

for three phase alternating current, 6 pole

RG35P-6D



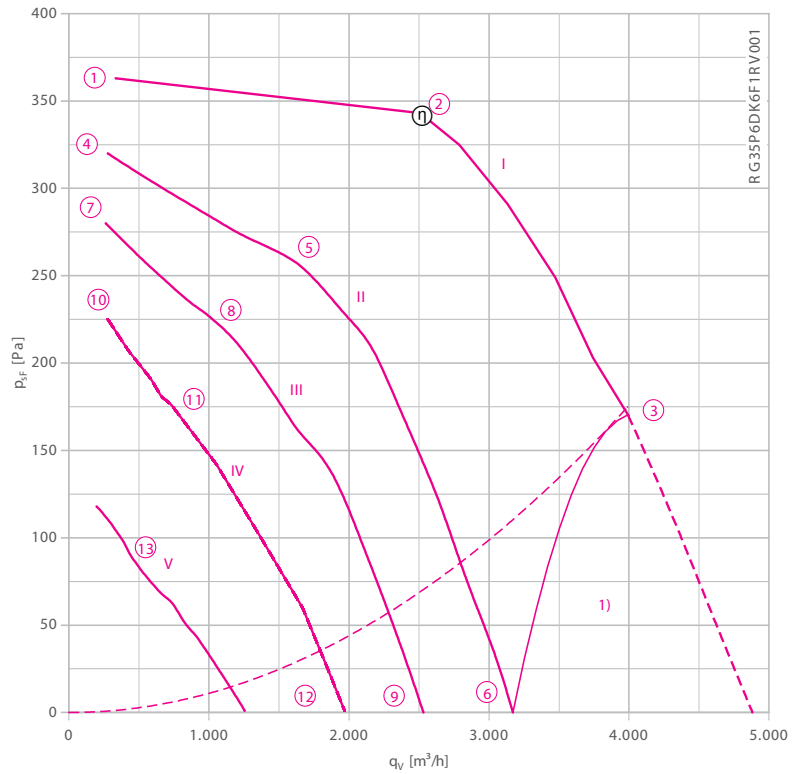
Description

Motor technology: AC
 Rated voltage U_N : 3~ 230/400 V (Δ/Y) ± 10 %*
 Rated frequency f_N : 50 Hz* (60Hz data available)
 Motor input power P_1 : 1.10 kW*
 Rated current I_N : 3.50/2.00 A*
 Rated speed n_N : 790 min⁻¹*
 Starting current I_A : 8.50 A / 5.00 A
 Current increase ΔI : 0 %
 Dynamic pressure: $p_{d2} = 4.5 \cdot 10^{-6} \cdot q_v^2$ [Pa]
 Thermal class: THCL155*
 Min. permitted ambient temperature $t_{R(min)}$: -20 °C
 Max. permitted ambient temperature $t_{R(max)}$: 40 °C
 Minimum pressing $p_{sF(min)}$: 170 Pa
 Protection class: IP54
 Motor protection: Thermal contact
 Impeller : Galvanised sheet metal, uncoated
 Motor: 1 coat paint, pebble grey
 Housing: Housing unpainted
 Conformity: ErP 2015, CE

ErP-data

Efficiency η_{statA} : 36.6 %
 Efficiency: $N_{actual} = 44.0 / N_{target} = 44$ **
 * Rated data
 **ErP 2015

Characteristic curve



Measured in housing from ZIEHL-ABEGG.

1) Do not operate in this area

- Connection diagram
- System components

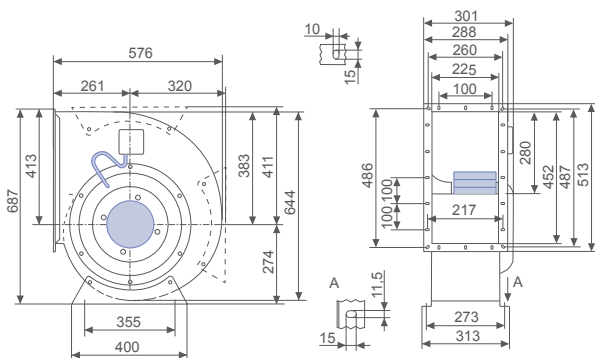
1360-106XA

Page 367

Page 262

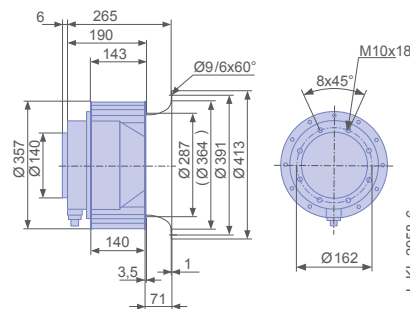
Dimensions [mm]

Fan with housing, single inlet



L-KL-2967-2

Motorised impeller





L-KL-2958-6

Performance data

Type	Characteristic curve	Voltage	Operating point	Current	Motor input power	Speed	Suction side sound power level L_{WAS} [dB]
		U [V]		I [A]	P_1 [W]	n [min ⁻¹]	
RG35P-6DK.6F.1R	I	400	①	1.20	300	970	
		400	②	1.60	960	890	74
		400*	③	2.00*	1100*	790*	80
	II	230	④	0.87	220	910	
		230	⑤	1.30	400	790	69
		230	⑥	2.00	680	470	71
	III	180	⑦	0.85	195	850	
		180	⑧	1.20	300	720	67
		180	⑨	1.85	440	380	65
	IV	140	⑩	0.87	165	770	
		140	⑪	1.15	220	590	62
		140	⑫	1.50	270	300	61
	V	90	⑬	0.92	110	380	

*rated data

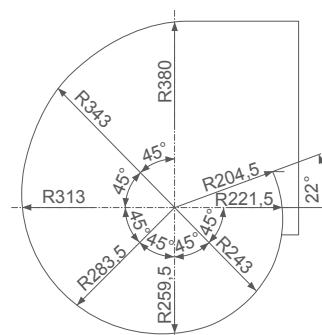
Fan ordering information

Design	RG	RE
Installation position	H	H/Vu/Vo
Electrical connection	Terminal box fixed on housing.	Supply cable lateral 105cm
		
Type	RG35P-6DK.6F.1R	RE35P-6DK.6F.1R
Article no.	209532	209529
Weight [kg]	31.60	15.40

Control technology

<p>Frequency inverter Fcontrol 3~</p>  <p>➤ Page 302</p>	<p>Motor protection units 3~</p>  <p>➤ Page 344</p>	<p>Transformer-based controllers 3~</p>  <p>➤ Page 334</p>	<p>Electronic voltage controllers 3~</p>  <p>➤ Page 324</p>
---	--	---	--

Used housing



L-KL-2949-6