

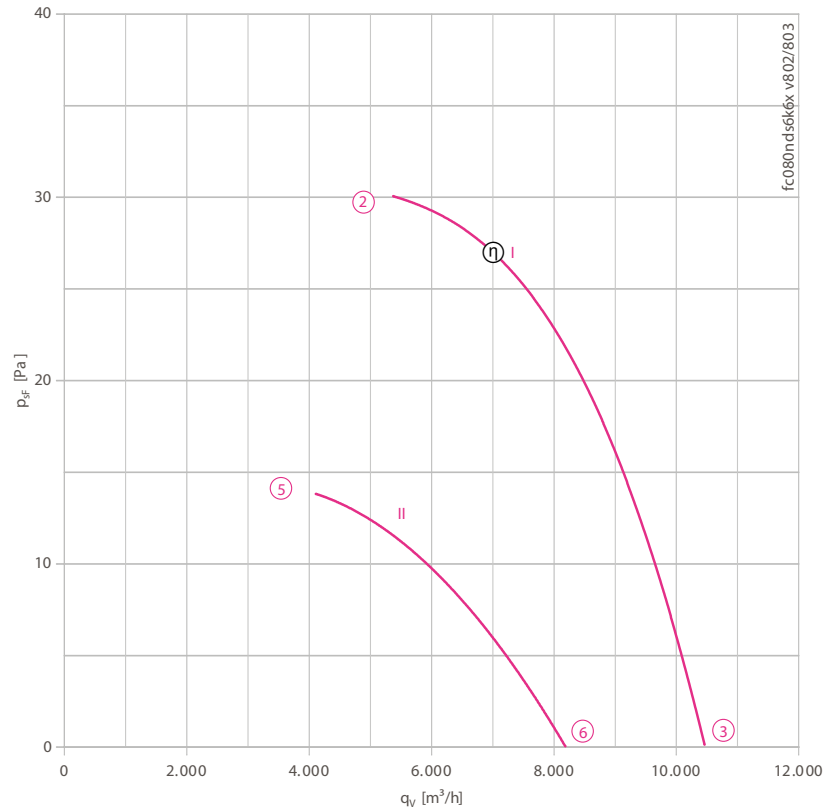


Description

Motor technology: AC
 Rated voltage U_N : 3- 400 V (Δ/Y) ± 10 %*
 Rated frequency f_N : 50 Hz* (60Hz data available)
 Motor input power P_1 : 0.21/0.11 kW*
 Rated current I_N : 0.65/0.29 A*
 Rated speed n_N : 430/ 310 min⁻¹*
 Starting current I_s : 1.20 A / 0.40 A
 Current increase ΔI : 0 %
 Thermal class: THCL155*
 Min. permitted conveyor temperature $t_{R(min)}$: -40 °C
 Max. permitted conveyor temperature $t_{R(max)}$: 70 °C
 Electrical connection: Terminal box
 Number of blades: 7
 Protection class: IP54
 Motor protection: Thermal contact
 Blades: Aluminium, 1 coat paint, black
 Rotor: Aluminium, 1 coat paint, black
 Conformity: ErP 2013, CE

ErP Data
 Efficiency η_{statA} : 26.3 %
 Efficiency: $N_{actual} = 36.9 / N_{target} = 36$ **
 * Rated data
 **ErP 2013

Characteristic curve



Measured in full bell mouth without guard grille in installation type A according to ISO 5801.

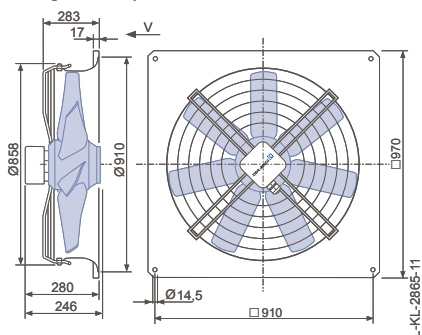
Connection diagram 1360-108XA Page 608

System components Page 524

Dimensions [mm]

Airflow direction V

Design Q - square, full bell mouth



		curve	U [V]	point	I [A]	power P ₁ [W]	n [min ⁻¹]	sound power level L _{WA5} [dB]
FC080-ND_6K.V7	Δ	I	400*	②	0.65*	210*	430*	65
			400	③	0.62	180	440	64
	Y	II	400*	⑤	0.29*	110*	310*	58
			400	⑥	0.27	100	340	58

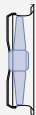
*rated data

Fan ordering information

← Airflow direction V

Design

Q



Type FC080-NDQ.6K.V7

Article no. 134166

Weight [kg] 41.00

Control technology

Frequency inverter
Fcontrol 3~



➤ Page 558

Motor protection units
3~



➤ Page 596

Transformer-based
controllers 3~



➤ Page 591

Electronic voltage
controllers 3~



➤ Page 578

Information

FE2owlet
ECblue

FE2owlet

FB

FC

System
components

Control
technology

Appendix