

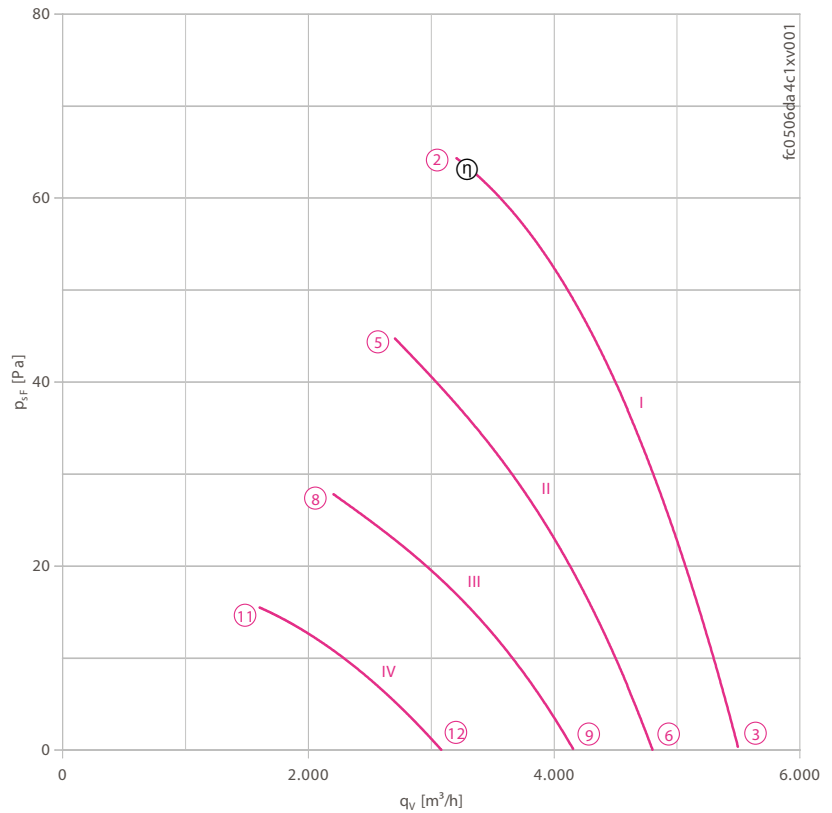


Description

Motor technology: AC
 Rated voltage U_N : 3~ 230/400 V (Δ/Y) ± 10 %*
 Rated frequency f_N : 50 Hz* (60Hz data available)
 Motor input power P_1 : 0.20 kW*
 Rated current I_N : 0.97/0.56 A*
 Rated speed n_N : 920 min⁻¹*
 Starting current I_s : 2.80 A / 1.60 A
 Current increase ΔI : 0 %
 Thermal class: THCL155*
 Min. permitted conveyor temperature $t_{R(min)}$: -40 °C
 Max. permitted conveyor temperature $t_{R(max)}$: 70 °C
 Electrical connection: Terminal box
 Number of blades: 7
 Protection class: IP54
 Motor protection: Thermal contact
 Blades: Aluminium, 1 coat paint, black
 Rotor: Aluminium, 1 coat paint, black
 Conformity: ErP 2015, CE

ErP Data
 Efficiency η_{statA} : 31.1 %
 Efficiency: $N_{actual} = 41.8 / N_{target} = 40$ **
 * Rated data
 **ErP 2015

Characteristic curve



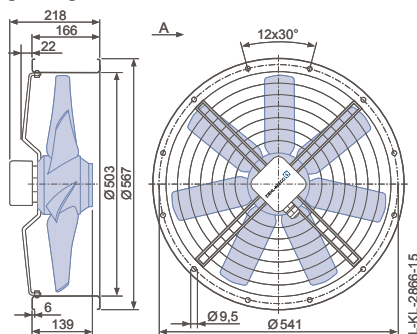
➤ Connection diagram 1360-106XB Page 608

➤ System components Page 524

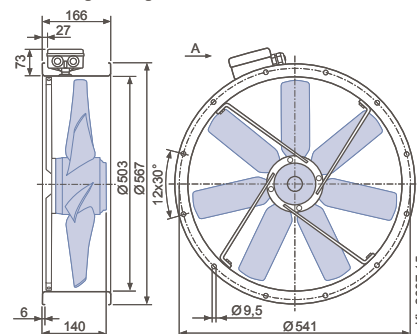
Dimensions [mm]

Airflow direction A

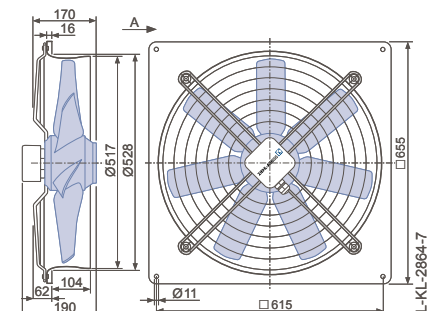
Design F - flange ring with two flanges and guard grille



Design F - flange ring with two flanges without guard grille



Design Q - square, full bell mouth



	curve	U	I	power	n	sound power level	
		[V]		[A]		P_1 [W]	L_{WAS} [dB]
FC050-6D_4C.A7	I	400*	②	0.56*	200*	920*	72
		400	③	0.53	170	940	75
	II	230	⑤	0.49	140	770	68
		230	⑥	0.43	120	830	72
	III	180	⑧	0.47	105	610	63
		180	⑨	0.43	91	700	68
	IV	140	⑪	0.40	64	470	58
		140	⑫	0.38	62	530	62

*rated data

Fan ordering information

Airflow direction A

Design	F (with contact protection)	F (without guard grille)	Q
			
Type	FC050-6DF.4C.A7	FC050-6DF.4C.A7	FC050-6DQ.4C.A7
Article no.	132293	132291	132303
Weight [kg]	12.70	12.00	15.30

Control technology

Frequency inverter Fcontrol 3~	Motor protection units 3~	Transformer-based controllers 3~	Electronic voltage controllers 3~
			
↗ Page 558	↗ Page 596	↗ Page 591	↗ Page 578

Information

FE2owlet
ECblue

FE2owlet

FB

FC

System
components

Control
technology

Appendix