

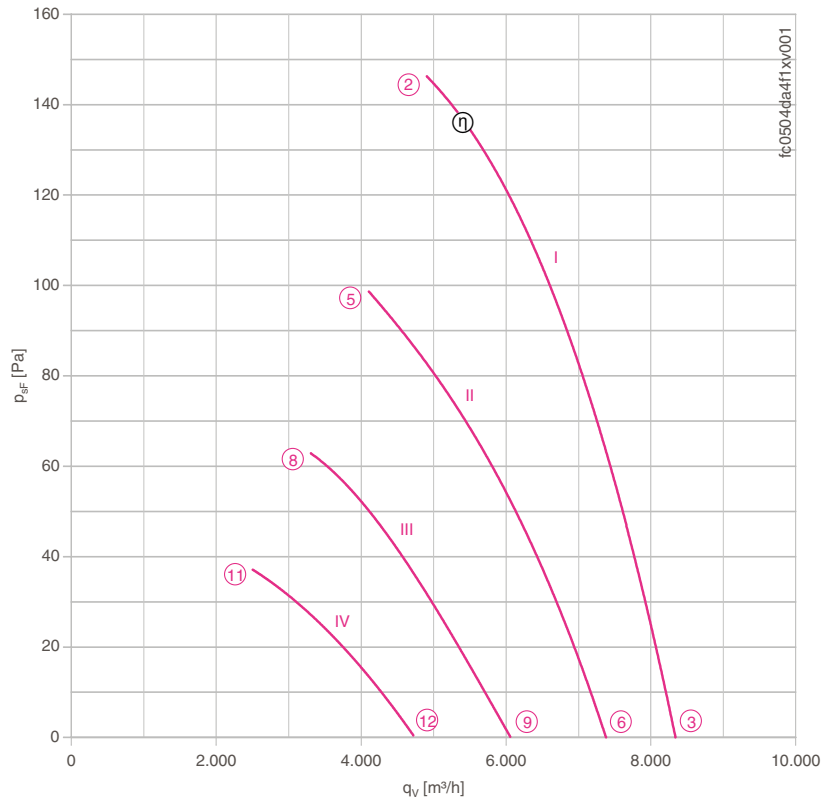


Description

Motor technology: AC
 Rated voltage U_N : 3~ 230/400 V (Δ/Y) ± 10 %*
 Rated frequency f_N : 50 Hz*
 Motor input power P_1 : 0.55 kW*
 Rated current I_N : 1.80/1.05 A*
 Rated speed n_N : 1380 min⁻¹*
 Starting current I_s : 7.00 A / 4.20 A
 Current increase ΔI : 10 %
 Thermal class: THCL155*
 Min. permitted conveyor temperature $t_{R(min)}$: -40 °C
 Max. permitted conveyor temperature $t_{R(max)}$: 70 °C
 Electrical connection: Terminal box
 Number of blades: 7
 Protection class: IP54
 Motor protection: Thermal contact
 Blades: Aluminium, 1 coat paint, black
 Rotor: Aluminium, 1 coat paint, black
 Conformity: ErP 2015, CE

ErP Data
 Efficiency η_{statA} : 39.9 %
 Efficiency: $N_{actual} = 48.0 / N_{target} = 40$ **
 * Rated data
 **ErP 2015

Characteristic curve



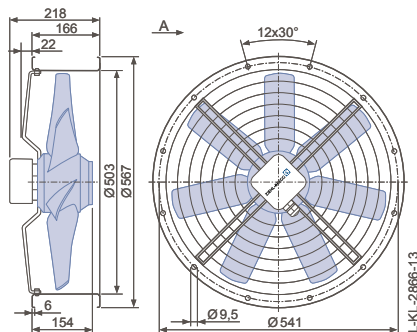
➤ Connection diagram 1360-106XB Page 608

➤ System components Page 524

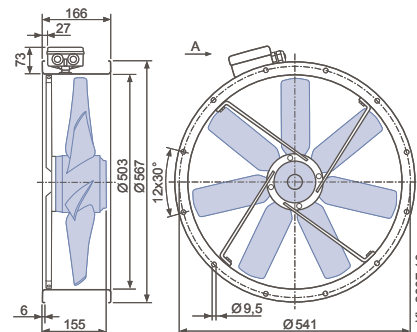
Dimensions [mm]

Airflow direction A

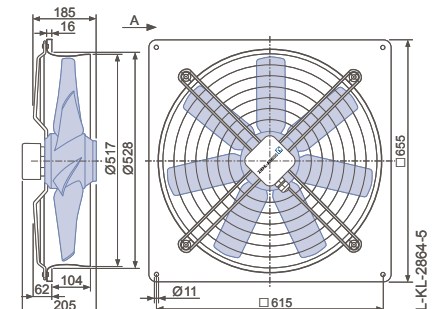
Design F - flange ring with two flanges and guard grille



Design F - flange ring with two flanges without guard grille



Design Q - square, full bell mouth

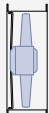
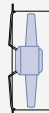
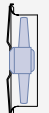


	curve	U	I	power	n	sound power level	
		[V]		[A]		P_1	L_{WAS}
FC050-4D_4F.A7	I	400*	②	1.05*	550*	1380*	81
		400	③	0.92	430	1410	84
	II	230	⑤	1.20	430	1140	77
		230	⑥	1.00	360	1240	81
	III	180	⑧	1.20	320	910	72
		180	⑨	1.05	290	1040	77
	IV	140	⑪	1.00	200	710	67
		140	⑫	0.97	220	820	72

*rated data

Fan ordering information

Airflow direction A

Design	F (with contact protection)	F (without guard grille)	Q
			
Type	FC050-4DF.4F.A7	FC050-4DF.4F.A7	FC050-4DQ.4F.A7
Article no.	132285	132283	130753
Weight [kg]	14.10	13.40	16.60

Control technology

Frequency inverter Fcontrol 3~	Motor protection units 3~	Transformer-based controllers 3~	Electronic voltage controllers 3~
			
↗ Page 558	↗ Page 596	↗ Page 591	↗ Page 578

Information

FE2owlet
ECblue

FE2owlet

FB

FC

System
components

Control
technology

Appendix