



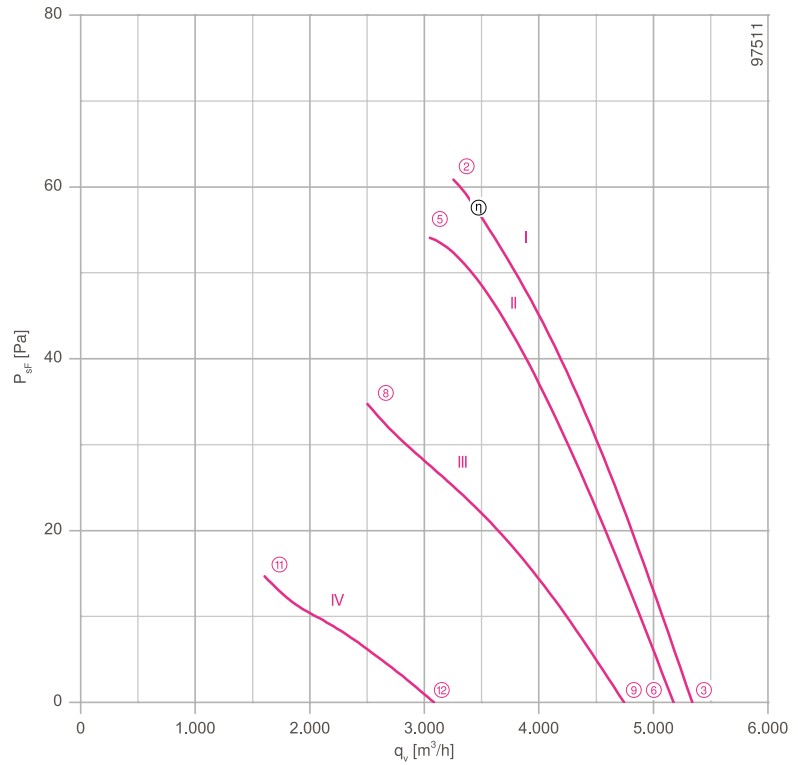
Description

Motor technology: AC
 Rated voltage U_N : 1~ 230 V±10 %*
 Rated frequency f_N : 50 Hz* (60Hz data available)
 Motor input power P_1 : 0.18 kW*
 Rated current I_N : 0.84 A*
 Rated speed n_N : 890 min⁻¹*
 Starting current I_s : 1.60 A
 Current increase ΔI : 0 %
 Service capacitor C_{400V} : 6.0 μ F
 Thermal class: **THCL155***
 Min. permitted conveyor temperature $t_{R(min)}$: -25 °C
 Max. permitted conveyor temperature $t_{R(max)}$: 70 °C
 Electrical connection: Terminal box
 Number of blades: 7
 Protection class: IP54
 Motor protection: Thermal contact
 Blades: Aluminium, 1 coat paint, black
 Rotor: Aluminium, 1 coat paint, black
 Conformity: ErP 2015, CE

ErP Data

Efficiency η_{statA} : 30.8 %
 Efficiency: $N_{actual} = 41.8 / N_{target} = 40$ **
 * Rated data
 **ErP 2015

Characteristic curve



Measured in full bell mouth without guard grille in installation type A according to ISO 5801.

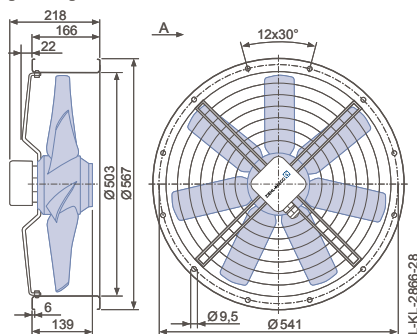
Connection diagram 1360-104XB Page 608

System components Page 524

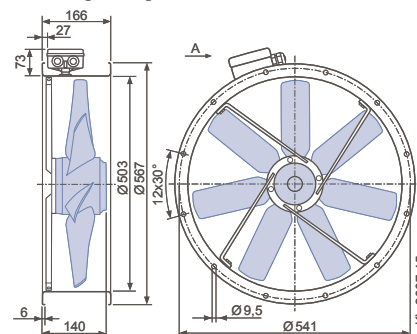
Dimensions [mm]

Airflow direction A

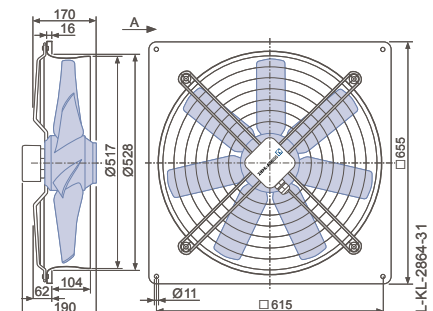
Design F - flange ring with two flanges and guard grille



Design F - flange ring with two flanges without guard grille



Design Q - square, full bell mouth

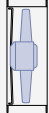
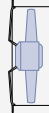
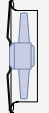


	curve	U		I	power	n	power level
		[V]		[A]	P ₁ [W]	[min ⁻¹]	L _{WA5} [dB]
FC050-6E_.4C._7	I	230*	②	0.84*	180*	890*	71
		230	③	0.72	160	920	70
	II	200	⑤	0.84	160	840	70
		200	⑥	0.70	140	900	69
	III	170	⑧	0.88	140	690	67
		170	⑨	0.74	120	830	68
	IV	135	⑪	0.76	90	440	62
		135	⑫	0.74	85	540	63

*rated data

Fan ordering information

Airflow direction A

Design	F (with contact protection)	F (without guard grille)	Q
			
Type	FC050-6EF.4C.A7	FC050-6EF.4C.A7	FC050-6EQ.4C.A7
Article no.	160087	160086	160085
Weight [kg]	15.30	12.00	12.80

Control technology

Frequency inverter Fcontrol 1~	Motor protection units 1~	Transformer-based controllers 1~	Electronic voltage controllers 1~
			
➤ Page 552	➤ Page 596	➤ Page 587	➤ Page 562

Information

FE2owlet
ECblue

FE2owlet

FB

FC

System
components

Control
technology

Appendix