

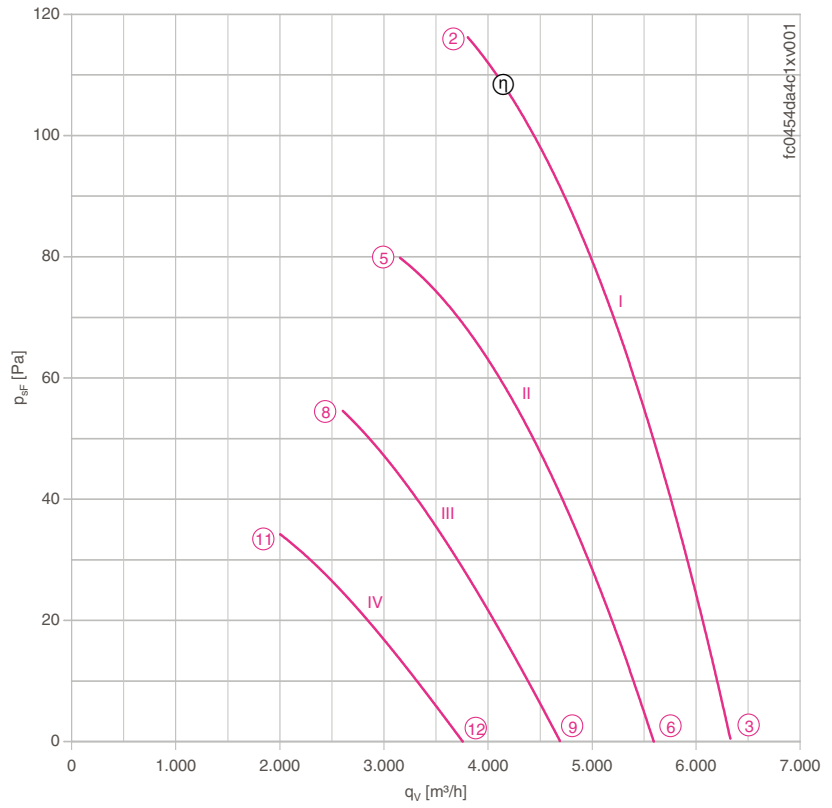


## Description

Motor technology: AC  
 Rated voltage  $U_N$ : 3~ 230/400 V ( $\Delta/Y$ )  $\pm 10$  %\*  
 Rated frequency  $f_N$ : 50 Hz\* (60Hz data available)  
 Motor input power  $P_1$ : 0.36 kW\*  
 Rated current  $I_N$ : 1.40/0.80 A\*  
 Rated speed  $n_N$ : 1380 min<sup>-1</sup>\*  
 Starting current  $I_s$ : 4.60 A / 2.60 A  
 Current increase  $\Delta I$ : 0 %  
 Thermal class: THCL155\*  
 Min. permitted conveyor temperature  $t_{R(min)}$ : -40 °C  
 Max. permitted conveyor temperature  $t_{R(max)}$ : 70 °C  
 Electrical connection: Terminal box  
 Number of blades: 7  
 Protection class: IP54  
 Motor protection: Thermal contact  
 Blades: Aluminium, 1 coat paint, black  
 Rotor: Aluminium, 1 coat paint, black  
 Conformity: ErP 2015, CE

**ErP Data**  
 Efficiency  $\eta_{statA}$ : 36.8 %  
 Efficiency:  $N_{actual} = 46.0 / N_{target} = 40$ \*\*  
 \* Rated data  
 \*\*ErP 2015

## Characteristic curve



Measured in full bell mouth without guard grille in installation type A according to ISO 5801.

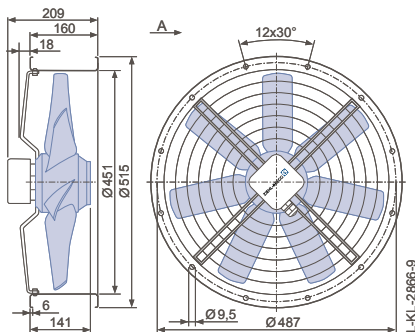
➤ Connection diagram 1360-106XB Page 608

➤ System components Page 524

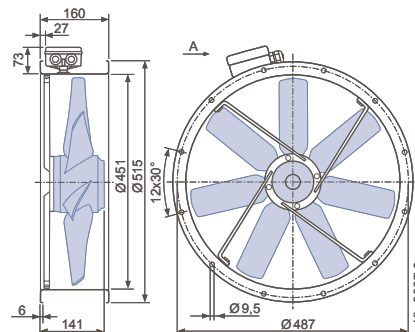
## Dimensions [mm]

### Airflow direction A

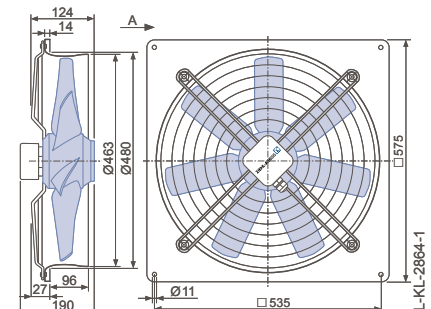
Design F - flange ring with two flanges and guard grille



Design F - flange ring with two flanges without guard grille



Design Q - square, full bell mouth

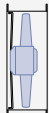
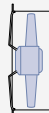
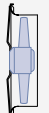


	curve	U		I	power	n	sound power level
		[V]		[A]	$P_1$ [W]	[min <sup>-1</sup> ]	$L_{WAS}$ [dB]
FC045-4D_4C.A7	I	400*	②	0.75*	360*	1390*	78
		400	③	0.74	310	1410	78
	II	230	⑤	0.75	270	1150	74
		230	⑥	0.66	240	1230	75
	III	180	⑧	0.74	210	950	69
		180	⑨	0.68	195	1050	72
	IV	140	⑪	0.66	140	750	64
		140	⑫	0.63	135	830	66

\*rated data

## Fan ordering information

### Airflow direction A

Design	F (with contact protection)	F (without guard grille)	Q
			
<b>Type</b>	<b>FC045-4DF.4C.A7</b>	<b>FC045-4DF.4C.A7</b>	<b>FC045-4DQ.4C.A7</b>
<b>Article no.</b>	<b>132223</b>	<b>132221</b>	<b>125158</b>
<b>Weight [kg]</b>	11.40	10.90	11.10

## Control technology

Frequency inverter Fcontrol 3~	Motor protection units 3~	Transformer-based controllers 3~	Electronic voltage controllers 3~
			
↗ Page 558	↗ Page 596	↗ Page 591	↗ Page 578