



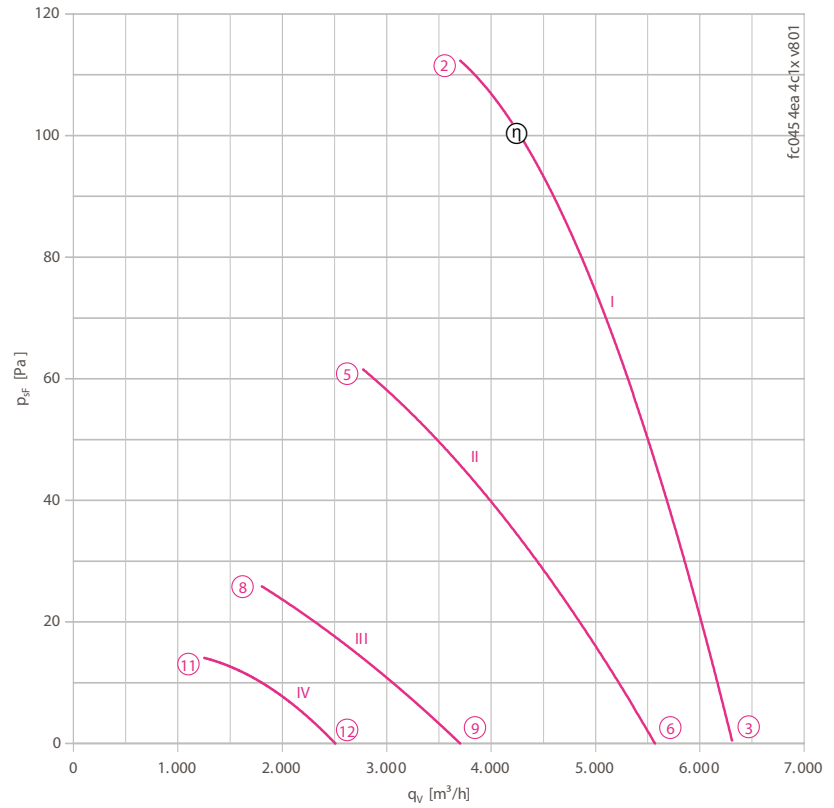
Description

Motor technology: AC
 Rated voltage U_N : 1~ 230 V \pm 10 %*
 Rated frequency f_N : 50 Hz*
 Motor input power P_1 : 0.36 kW*
 Rated current I_N : 1.60 A*
 Rated speed n_N : 1370 min⁻¹*
 Starting current I_s : 3.40 A
 Current increase ΔI : 30 %
 Service capacitor C_{400V} : 6.0 μ F
 Thermal class: **THCL155***
 Min. permitted conveyor temperature $t_{R(min)}$: -25 °C
 Max. permitted conveyor temperature $t_{R(max)}$: 60 °C
 Electrical connection: Terminal box
 Number of blades: 7
 Protection class: IP54
 Motor protection: Thermal contact
 Blades: Aluminium, 1 coat paint, black
 Rotor: Aluminium, 1 coat paint, black
 Conformity: ErP 2015, CE

ErP Data

Efficiency η_{statA} : 32.3 %
 Efficiency: $N_{actual} = 41.5 / N_{target} = 40$ **
 * Rated data
 **ErP 2015

Characteristic curve



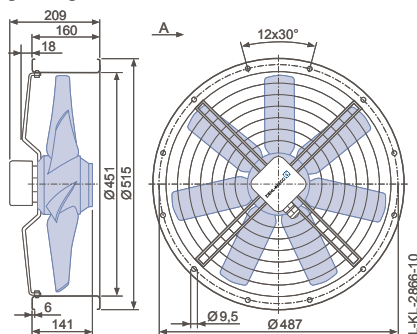
➤ Connection diagram 1360-104XB Page 608

➤ System components Page 524

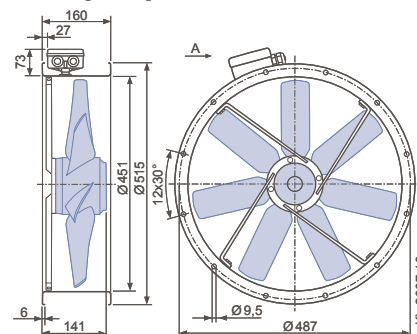
Dimensions [mm]

Airflow direction A

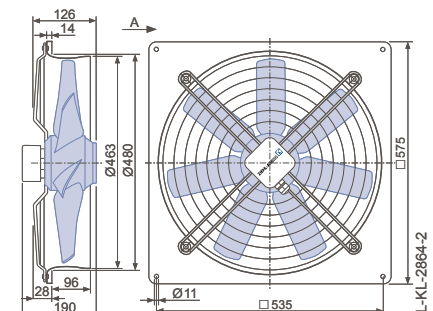
Design F - flange ring with two flanges and guard grille



Design F - flange ring with two flanges without guard grille



Design Q - square, full bell mouth



	curve	U		I	power	n	sound power level
		[V]		[A]	P ₁ [W]	[min ⁻¹]	L _{WAS} [dB]
FC045-4E_4C.A7	I	230*	②	1.60*	360*	1370*	78
		230	③	1.40	320	1390	78
	II	160	⑤	1.95	300	1060	72
		160	⑥	1.65	270	1220	75
	III	130	⑧	1.75	210	700	63
		130	⑨	1.70	200	820	66
	IV	105	⑪	1.50	135	530	56
		105	⑫	1.45	135	570	58

*rated data

Fan ordering information

Airflow direction A

Design	F (with contact protection)	F (without guard grille) Q	Q
			
Type	FC045-4EF.4C.A7	FC045-4EF.4C.A7	FC045-4EQ.4C.A7
Article no.	132227	132225	125166
Weight [kg]	11.40	10.90	11.10

Control technology

Frequency inverter Fcontrol 1~	Motor protection units 1~	Transformer-based controllers 1~	Electronic voltage controllers 1~
			
↗ Page 552	↗ Page 596	↗ Page 587	↗ Page 562

Information

FE2owlet
ECblue

FE2owlet

FB

FC

System
components

Control
technology

Appendix