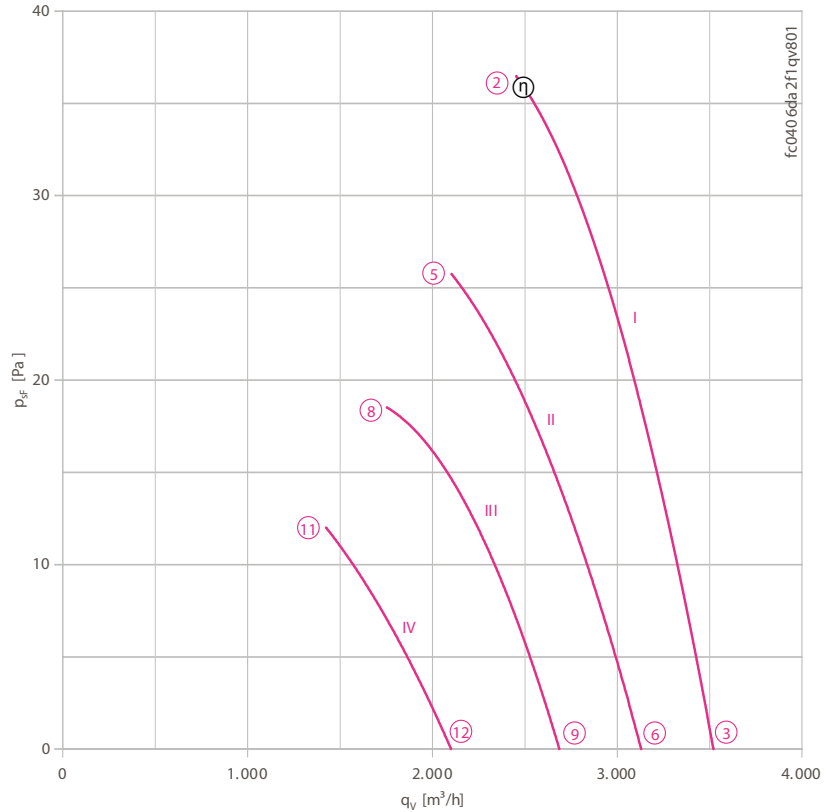


### Description

Motor technology: AC  
 Rated voltage  $U_N$ : 3~ 230/400 V ( $\Delta/Y$ )  $\pm 10$  %\*  
 Rated frequency  $f_N$ : 50 Hz\* (60Hz data available)  
 Motor input power  $P_1$ : 0.11 kW\*  
 Rated current  $I_N$ : 0.49/0.28 A\*  
 Rated speed  $n_N$ : 920 min<sup>-1</sup>\*  
 Starting current  $I_s$ : 1.60 A / 0.90 A  
 Current increase  $\Delta I$ : 0 %  
 Thermal class: THCL155\*  
 Min. permitted conveyor temperature  $t_{R(min)}$ : -40 °C  
 Max. permitted conveyor temperature  $t_{R(max)}$ : 70 °C  
 Electrical connection: Supply cable lateral-diagonal 65 cm  
 Number of blades: 7  
 Protection class: IP54  
 Motor protection: Thermal contact  
 Blades: Aluminium, 1 coat paint, black  
 Rotor: Aluminium, 1 coat paint, black  
 Conformity: CE  
**ErP Data**  
 Is not subject to the ErP Guidelines ( $P_1 < 125$  W)  
 \* Rated data

### Characteristic curve



Measured in full bell mouth without guard grille in installation type A according to ISO 5801.

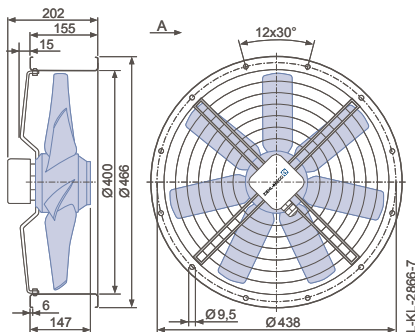
➤ Connection diagram 1360-106XB Page 608

➤ System components Page 524

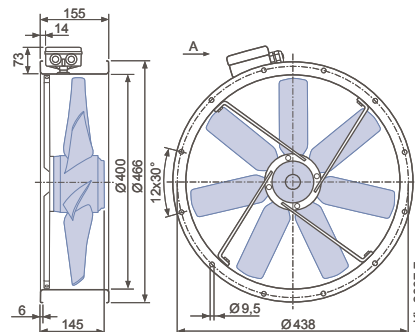
### Dimensions [mm]

#### Airflow direction A

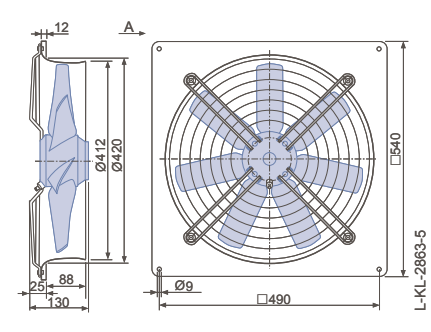
Design F - flange ring with two flanges and guard grille



Design F - flange ring with two flanges without guard grille



Design Q - square, full bell mouth

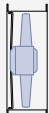
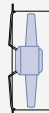
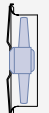


	curve	U		I	power	n	sound power level
		[V]		[A]	$P_1$ [W]		$L_{WAS}$ [dB]
FC040-6D_.2F.A7	I	400*	②	0.28*	110*	920*	68
		400	③	0.27	97	940	70
	II	230	⑤	0.24	73	810	64
		230	⑥	0.23	69	830	67
	III	180	⑧	0.23	57	680	59
		180	⑨	0.23	56	710	62
	IV	140	⑪	0.21	41	540	53
		140	⑫	0.21	40	570	56

\*rated data

## Fan ordering information

### Airflow direction A

Design	F (with contact protection)	F (without guard grille)	Q
			
<b>Type</b>	<b>FC040-6DF.2F.A7</b>	<b>FC040-6DF.2F.A7</b>	<b>FC040-6DQ.2F.A7</b>
<b>Article no.</b>	<b>132215</b>	<b>132213</b>	<b>125146</b>
<b>Weight [kg]</b>	9.30	9.00	9.30

## Control technology

Frequency inverter Fcontrol 3~	Motor protection units 3~	Transformer-based controllers 3~	Electronic voltage controllers 3~
			
↗ Page 558	↗ Page 596	↗ Page 591	↗ Page 578

Information

FE2owlet  
ECblue

FE2owlet

FB

FC

System  
components

Control  
technology

Appendix