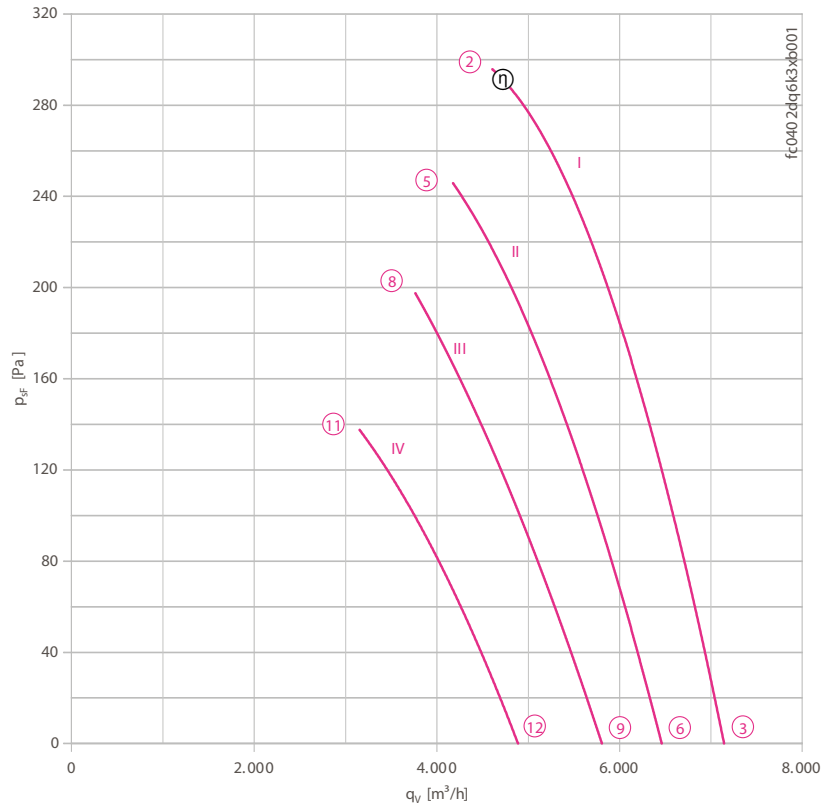


### Description

Motor technology: AC  
 Rated voltage  $U_N$ : 3~ 230/400 V ( $\Delta/Y$ )  $\pm 10$  %\*  
 Rated frequency  $f_N$ : 50 Hz\*  
 Motor input power  $P_1$ : 1.40 kW\*  
 Rated current  $I_N$ : 4.70/2.70 A\*  
 Rated speed  $n_N$ : 2850 min<sup>-1</sup>\*  
 Starting current  $I_s$ : 32.00 A / 19.00 A  
 Current increase  $\Delta I$ : 20 %  
 Thermal class: THCL155\*  
 Min. permitted conveyor temperature  $t_{R(min)}$ : -40 °C  
 Max. permitted conveyor temperature  $t_{R(max)}$ : 70 °C  
 Electrical connection: Terminal box  
 Number of blades: 8  
 Protection class: IP54  
 Motor protection: Thermal contact  
 Blades: Aluminium, 1 coat paint, black  
 Rotor: Aluminium, 1 coat paint, black  
 Conformity: ErP 2013, CE

**ErP Data**  
 Efficiency  $\eta_{statA}$ : 31.7 %  
 Efficiency:  $N_{actual} = 37.5 / N_{target} = 36$ \*\*  
 \* Rated data  
 \*\*ErP 2013

### Characteristic curve



Measured in full bell mouth without guard grille in installation type A according to ISO 5801.

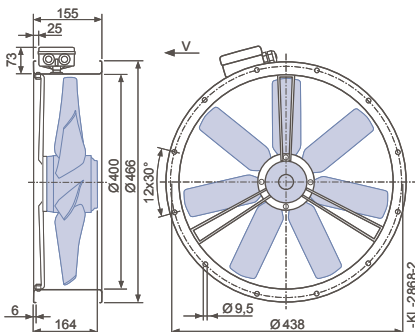
➤ Connection diagram 1360-106XA Page 608

➤ System components Page 524

### Dimensions [mm]

Airflow direction V

Design F - flange ring with two flanges without guard grille



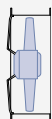
	curve	U		I	power	n	sound power level
		[V]		[A]	$P_1$		$L_{WAS}$
FC040-2D_.6K.V8	I	400*	②	2.70*	1400*	2850*	98
		400	③	2.50	1300	2860	93
	II	230	⑤	2.90	1050	2550	95
		230	⑥	2.80	1000	2580	91
	III	180	⑧	3.20	860	2270	92
		180	⑨	3.00	840	2300	88
	IV	140	⑪	3.20	650	1930	88
		140	⑫	3.10	640	1960	84

\*rated data

## Fan ordering information

Airflow direction V

Design F (without guard grille)



Type **FC040-2DF.6K.V8**

Article no. **124948H**

Weight [kg] 21.70

## Control technology

Frequency inverter  
Fcontrol 3~



Page 558

Motor protection units  
3~



Page 596

Transformer-based  
controllers 3~



Page 591

Electronic voltage  
controllers 3~



Page 578