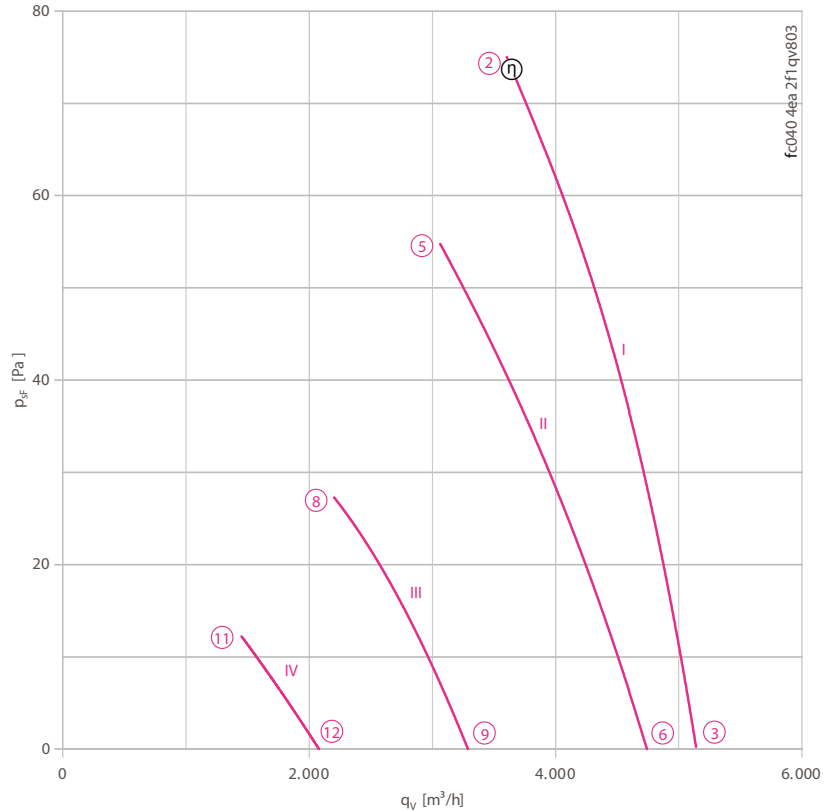


Description

Motor technology: AC
 Rated voltage U_N : 1~ 230 V \pm 10 %*
 Rated frequency f_N : 50 Hz*
 Motor input power P_1 : 0.29 kW*
 Rated current I_N : 1.45 A*
 Rated speed n_N : 1350 min⁻¹*
 Starting current I_s : 2.60 A
 Current increase ΔI : 15 %
 Service capacitor C_{400V} : 5.0 μ F
 Thermal class: **THCL155***
 Min. permitted conveyor temperature $t_{R(min)}$: -25 °C
 Max. permitted conveyor temperature $t_{R(max)}$: 60 °C
 Electrical connection: Supply cable lateral-diagonal 65 cm
 Number of blades: 7
 Protection class: IP54
 Motor protection: Thermal contact
 Blades: Aluminium, 1 coat paint, black
 Rotor: Aluminium, 1 coat paint, black
 Conformity: ErP 2013, CE
ErP Data
 Efficiency η_{statA} : 25.1 %
 Efficiency: $N_{actual} = 36.5 / N_{target} = 36$ **
 Frequency inverter required
 * Rated data
 **ErP 2013

Characteristic curve



Measured in full bell mouth without guard grille in installation type A according to ISO 5801.

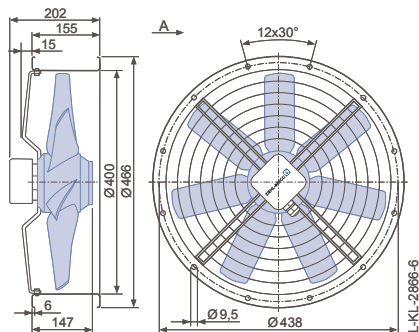
Connection diagram 1360-104XB Page 608

System components Page 524

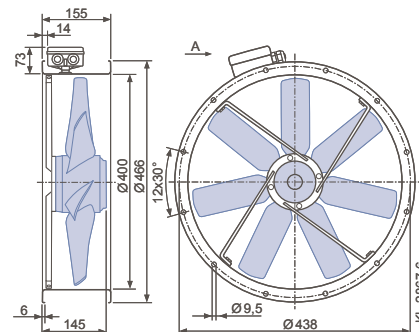
Dimensions [mm]

Airflow direction A

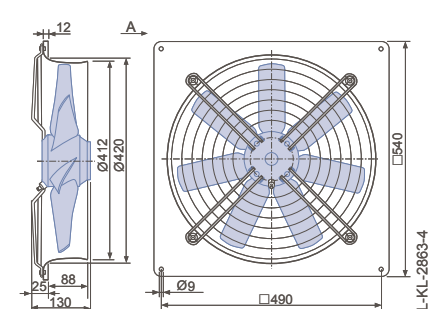
Design F - flange ring with two flanges and guard grille



Design F - flange ring with two flanges without guard grille



Design Q - square, full bell mouth



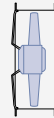
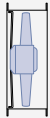
	curve	U	②	I	power	n	sound power level
		[V]		[A]	P ₁ [W]	[min ⁻¹]	L _{WAS} [dB]
FC040-4E_2F.A7	I	230*	③	1.45*	290*	1350*	78
		230	④	1.40	270	1360	80
	II	160	⑤	1.65	270	1160	74
		160	⑥	1.45	240	1260	79
	III	130	⑧	1.70	230	770	63
		130	⑨	1.65	220	880	68
	IV	105	⑪	1.35	145	530	52
		105	⑫	1.35	145	570	56

*rated data

Fan ordering information

Airflow direction A

Design F (with contact protection) F (without guard grille) Q



Type **FC040-4EF.2F.A7** **FC040-4EF.2F.A7** **FC040-4EQ.2F.A7**
 Article no. **132150** **132148** **125150**

Weight [kg] 9.30 9.00 9.30
 Electrical connection Terminal box Terminal box Supply cable lateral diagonal

Control technology

Frequency inverter
Fcontrol 1~



➤ Page 552

Motor protection units
1~



➤ Page 596

Transformer-based
controllers 1~



➤ Page 587

Electronic voltage
controllers 1~



➤ Page 562