



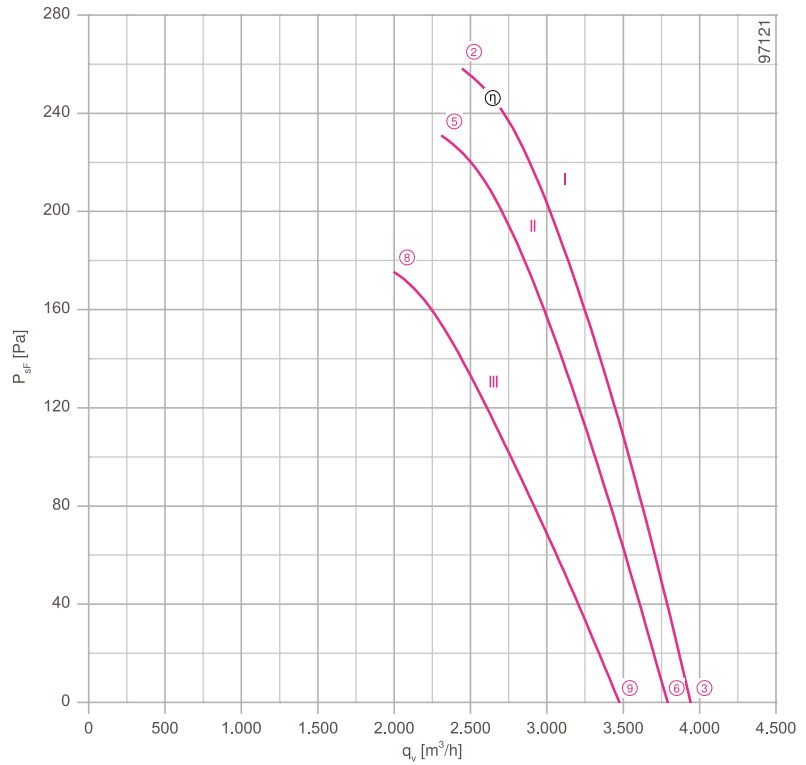
Description

Motor technology: AC
 Rated voltage U_N : 1~ 230 V±10 %*
 Rated frequency f_N : 50 Hz* (60Hz data available)
 Motor input power P_1 : 0.56 kW*
 Rated current I_N : 2.40 A*
 Rated speed n_N : 2860 min⁻¹*
 Starting current I_s : 10.00 A
 Current increase ΔI : 0 %
 Service capacitor C_{400V} : 14.0 μ F
 Thermal class: THCL155*
 Min. permitted conveyor temperature $t_{R(min)}$: -25 °C
 Max. permitted conveyor temperature $t_{R(max)}$: 60 °C
 Electrical connection: Supply cable lateral-diagonal 65 cm
 Number of blades: 7
 Protection class: IP54
 Motor protection: Thermal contact
 Blades: Aluminium, 1 coat paint, black
 Rotor: Aluminium, 1 coat paint, black
 Conformity: ErP 2015, CE

ErP Data

Efficiency η_{statA} : 33.2 %
 Efficiency: $N_{actual} = 41.1 / N_{target} = 40$ **
 * Rated data
 **ErP 2015

Characteristic curve



Measured in full bell mouth without guard grille in installation type A according to ISO 5801.

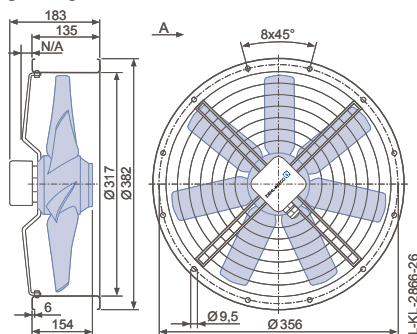
➤ Connection diagram 1360-104XB Page 608

➤ System components Page 524

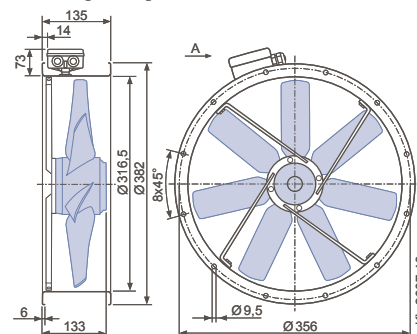
Dimensions [mm]

Airflow direction A

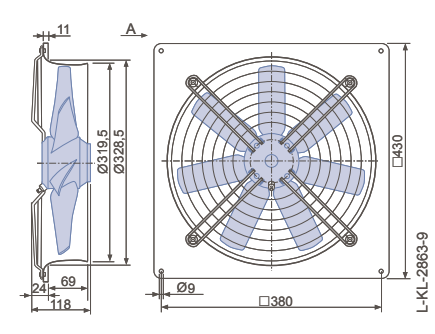
Design F - flange ring with two flanges and guard grille



Design F - flange ring with two flanges without guard grille



Design Q - square, full bell mouth

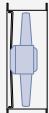
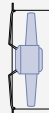
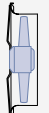


	curve	U		I	power	n	sound power level
		[V]		[A]	P_1 [W]	[min ⁻¹]	L_{WAS} [dB]
FC031-2E_3I_7	I	230*	②	2.40*	560*	2860*	89
		230	③	2.20	500	2870	81
	II	170	⑤	2.80	480	2710	88
		170	⑥	2.50	420	2760	80
	III	135	⑧	3.30	440	2360	84
		135	⑨	2.80	380	2540	78

*rated data

Fan ordering information

Airflow direction A

Design	F (with contact protection)	F (without guard grille)	Q
			
Type	FC031-2EF.3I.A7	FC031-2EF.3I.A7	FC031-2EQ.3I.A7
Article no.	160071	160070	160069
Weight [kg]	11.90	12.20	12.10

Control technology

Frequency inverter Fcontrol 1~	Motor protection units 1~	Transformer-based controllers 1~	Electronic voltage controllers 1~
			
➤ Page 552	➤ Page 596	➤ Page 587	➤ Page 562

Information

FE2owlet
ECblue

FE2owlet

FB

FC

System
components

Control
technology

Appendix