



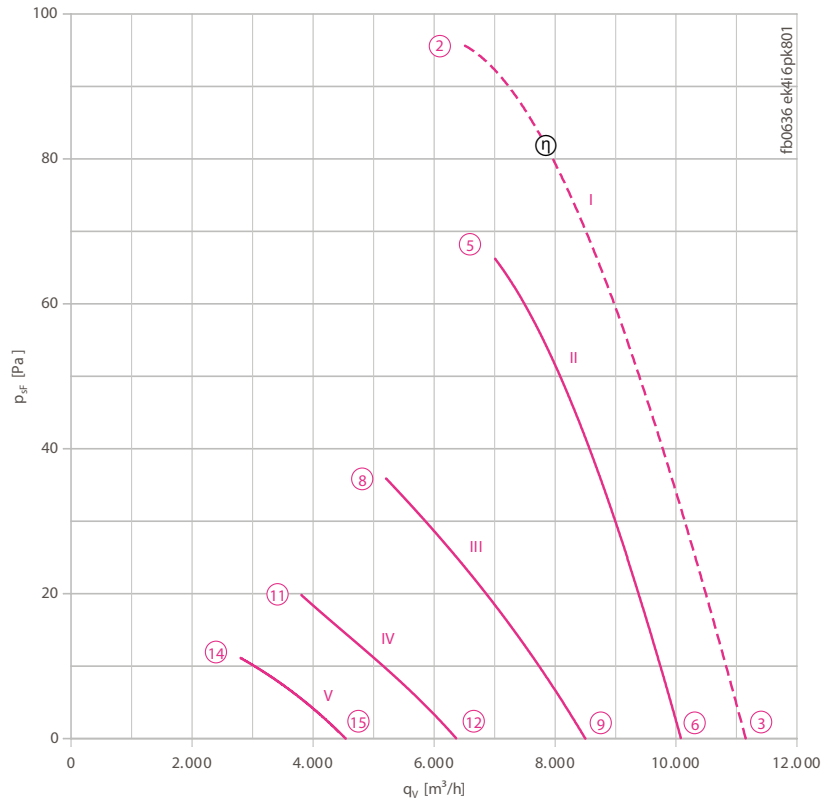
Description

Motor technology: AC
 Rated voltage U_N : 1~ 230 V \pm 10 %*
 Rated frequency f_N : 50 Hz*
 Motor input power P_1 : 0.63 kW*
 Rated current I_N : 3.00 A*
 Rated speed n_N : 860 min⁻¹*
 Starting current I_s : 5.50 A
 Current increase ΔI : 0 %
 Service capacitor C_{400V} : 12.0 μ F
 Thermal class: THCL155*
 Min. permitted conveyor temperature $t_{R(min)}$: -25 °C
 Max. permitted conveyor temperature $t_{R(max)}$: 40 °C
 Electrical connection: Terminal box
 Number of blades: 4
 Protection class: IP54
 Motor protection: Thermal contact
 Blades: Aluminium, uncoated
 Rotor: Aluminium, uncoated
 Conformity: ErP 2013, CE

ErP Data

Efficiency η_{statA} : 28.3 %
 Efficiency: $N_{actual} = 36.1 / N_{target} = 36$ **
 * Rated data
 **ErP 2013

Characteristic curve



I) Measured in full bell mouth without guard grille in installation type A according to ISO 5801.
 II-x) Measured in short-bell mouth with compressed side contact protection.

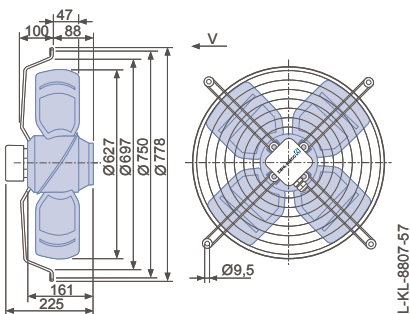
Connection diagram 1360-104XA Page 608

System components Page 524

Dimensions [mm]

Airflow direction V

Design K - axial bolted, mounted for short bell mouth E



	curve	point		power		n [min ⁻¹]	sound power level L _{WA5} [dB]	media tem- perature t _R [°C]
		U [V]	I [A]	P ₁ [W]				
FB063-6E_4I.V4P	I	230*	②	3.00*	630*	860*		40
		230	③	2.60	550	910	78	
	II	230	⑤	2.70	590	900	78	50
		230	⑥	2.30	520	930	76	
	III	160	⑧	3.00	450	670	70	
		160	⑨	2.70	410	780	72	
	IV	130	⑪	2.70	320	490	61	
		130	⑫	2.60	310	580	64	
	V	105	⑭	2.30	210	370	54	
		105	⑮	2.30	210	410	55	

*rated data

Fan ordering information

Airflow direction V

Design K



Type **FB063-6EK.4I.V4P**

Article no. **109104**

Weight [kg] 12.80

Control technology

Frequency inverter
Fcontrol 1~



Page 552

Motor protection units
1~



Page 596

Transformer-based
controllers 1~



Page 587

Electronic voltage
controllers 1~



Page 562