



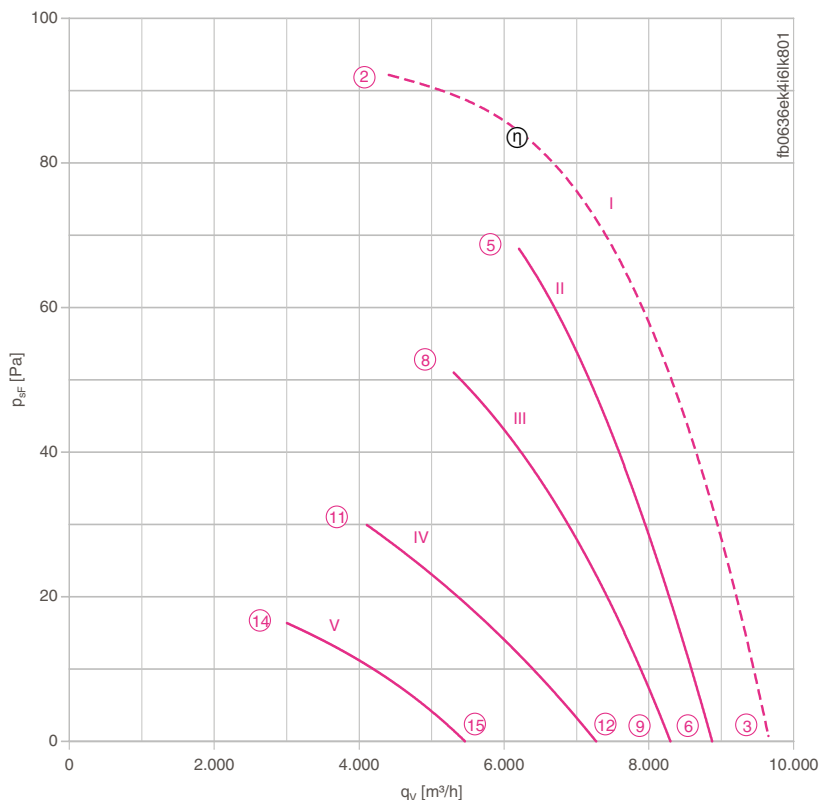
Description

Motor technology: AC
 Rated voltage U_N : 1~ 230 V±10 %*
 Rated frequency f_N : 50 Hz* (60Hz data available)
 Motor input power P_1 : 0.47 kW*
 Rated current I_N : 2.30 A*
 Rated speed n_N : 920 min⁻¹*
 Starting current I_s : 5.50 A
 Current increase ΔI : 15 %
 Service capacitor C_{400V} : 10.0 μ F
 Thermal class: **THCL155***
 Min. permitted conveyor temperature $t_{R(min)}$: -25 °C
 Max. permitted conveyor temperature $t_{R(max)}$: 55 °C
 Electrical connection: Terminal box
 Number of blades: 4
 Protection class: IP54
 Motor protection: Thermal contact
 Blades: Aluminium, uncoated
 Rotor: Aluminium, uncoated
 Conformity: ErP 2015, CE

ErP Data

Efficiency η_{statA} : 33.1 %
 Efficiency: $N_{actual} = 41.4 / N_{target} = 40$ **
 * Rated data
 **ErP 2015

Characteristic curve



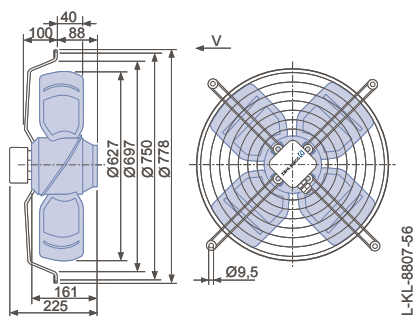
I) Measured in full bell mouth without guard grille in installation type A according to ISO 5801.
 II-x) Measured in short-bell mouth with compressed side contact protection.

- Connection diagram 1360-104XA Page 608
- System components Page 524

Dimensions [mm]



Design K - axial bolted, mounted for short bell mouth E



	curve	U [V]	point	I [A]	power P ₁ [W]	n [min ⁻¹]	sound power level L _{WA5} [dB]	media tem- perature t _R [°C]
FB063-6E_4I.V4L	I	230*	②	2.40*	520*	910*		55
		230	③	2.10	400	950	76	
		230	⑤	2.20	490	930	76	
	II	230	⑥	1.95	410	950	74	65
		160	⑧	2.40	370	800	71	
	III	160	⑨	1.90	300	880	72	
		130	⑪	2.40	290	610	65	
	IV	130	⑫	2.00	250	770	69	
		105	⑭	2.10	200	450	58	
	V	105	⑮	2.00	190	570	63	

*rated data

Fan ordering information

Airflow direction V

Design K



Type **FB063-6EK.4I.V4L**

Article no. **206837**

Weight [kg] 12.80

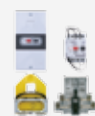
Control technology

Frequency inverter
Fcontrol 1~



Page 552

Motor protection units
1~



Page 596

Transformer-based
controllers 1~



Page 587

Electronic voltage
controllers 1~



Page 562

Information

FE2owlet
ECblue

FE2owlet

FB

FC

System
components

Control
technology

Appendix