

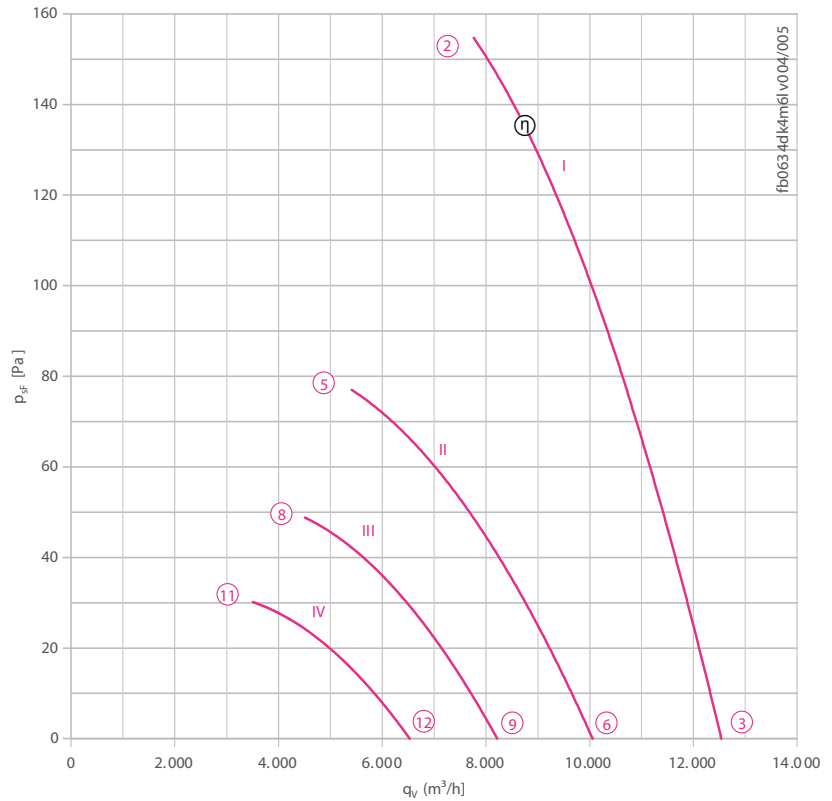


Description

Motor technology: AC
 Rated voltage U_N : 3~ 230/400 V (Δ/Y) ± 10 %*
 Rated frequency f_N : 50 Hz*
 Motor input power P_1 : 1.10 kW*
 Rated current I_N : 3.80/2.20 A*
 Rated speed n_N : 1300 min⁻¹*
 Starting current I_s : 12.00 A / 7.00 A
 Current increase ΔI : 0 %
 Thermal class: THCL155*
 Min. permitted conveyor temperature $t_{R(min)}$: -40 °C
 Max. permitted conveyor temperature $t_{R(max)}$: 60 °C
 Electrical connection: Terminal box
 Number of blades: 4
 Protection class: IP54
 Motor protection: Thermal contact
 Blades: Aluminium, uncoated
 Rotor: Aluminium, uncoated
 Conformity: ErP 2015, CE

ErP Data
 Efficiency η_{statA} : 38.5 %
 Efficiency: $N_{actual} = 44.7 / N_{target} = 40$ **
 * Rated data
 **ErP 2015

Characteristic curve



I) Measured in short bell mouth with guard grille in installation type A according to ISO 5801. Fan can only be operated in short bell mouth (\varnothing min. 634 mm, jet height max. 60 mm).

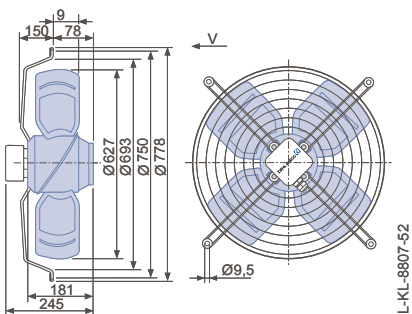
➤ Connection diagram 1360-106XA Page 608

➤ System components Page 524

Dimensions [mm]



Design K - axial bolted, mounted for short bell mouth E



	curve	U		I	power	n	sound power level
		[V]		[A]	P ₁ [W]	[min ⁻¹]	L _{WAS} [dB]
FB063-4D_4M.V4L	I	400*	②	2.20*	1100*	1300*	83
		400	③	1.80	790	1380	85
	II	230	⑤	2.10	650	910	74
		230	⑥	1.85	560	1090	80
	III	180	⑧	1.90	450	730	69
		180	⑨	1.70	400	860	74
	IV	140	⑪	1.60	280	570	63
		140	⑫	1.50	270	700	68

*rated data

Fan ordering information

Airflow direction V

Design K



Type **FB063-4DK.4M.V4L**

Article no. **135045**

Weight [kg] 17.40

Control technology

Frequency inverter
Fcontrol 3~



Page 558

Motor protection units
3~



Page 596

Transformer-based
controllers 3~



Page 591

Electronic voltage
controllers 3~



Page 578