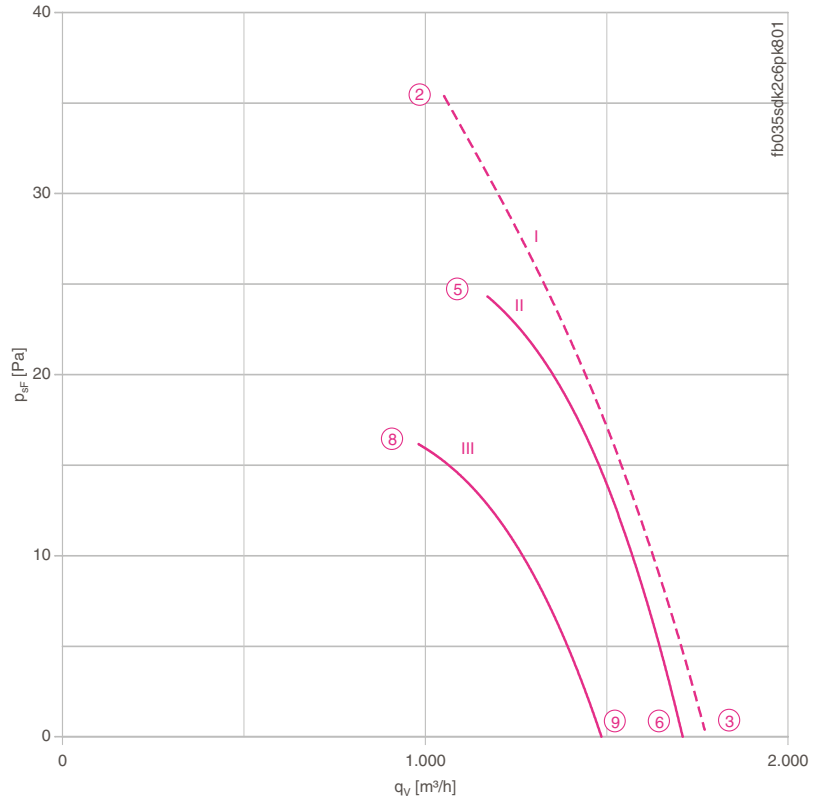




## Description

Motor technology: AC  
 Rated voltage  $U_N$ : 3- 400 V ( $\Delta/Y$ )  $\pm 10$  %\*  
 Rated frequency  $f_N$ : 50 Hz\* (60Hz data available)  
 Motor input power  $P_1$ : 0.05/0.03 kW\*  
 Rated current  $I_N$ : 0.10/0.05 A\*  
 Rated speed  $n_N$ : 860/ 670 min<sup>-1</sup>\*  
 Starting current  $I_s$ : 0.27 A / 0.09 A  
 Current increase  $\Delta I$ : 0 %  
 Thermal class: THCL155\*  
 Min. permitted conveyor temperature  $t_{R(min)}$ : -40 °C  
 Max. permitted conveyor temperature  $t_{R(max)}$ : 70 °C  
 Electrical connection: Terminal box  
 Number of blades: 4  
 Protection class: IP54  
 Motor protection: Thermal contact  
 Blades: Aluminium, uncoated  
 Rotor: Aluminium, uncoated  
 Conformity: CE  
**ErP Data**  
 Is not subject to the ErP Guidelines ( $P_1 < 125$  W)  
 \* Rated data

## Characteristic curve



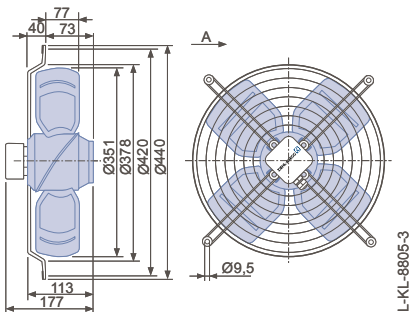
I) Measured in full bell mouth without guard grille in installation type A according to ISO 5801.  
 II-x) Measured in short-bell mouth with compressed side contact protection.

- Connection diagrams Page 608  
     for airflow direction V 1360-108XA  
     for airflow direction A 1360-108XB
- System components Page 524

## Dimensions [mm]

### Airflow direction A



Design W - axial bolted, mounting for short bell mouth E



		curve	point		power		n [min <sup>-1</sup> ]	sound power level L <sub>WA5</sub> [dB]
			U [V]	I [A]	P <sub>1</sub> [W]			
FB035-SD_2C_4P	Δ	I	400*	②	0.10*	50*	860*	
			400	③	0.09	38	920	59
		II	400	⑤	0.10	38	890	60
	Y	III	400	⑥	0.09	34	910	58
			400	⑧	0.06	28	790	57
		400	⑨	0.05	26	760	54	

\*rated data

## Fan ordering information

Airflow direction A		Airflow direction V	
Design	W		K
			
Type	FB035-SDW.2C.A4P		FB035-SDK.2C.V4P
Article no.	107068		124157
Weight [kg]	4.50		4.80

## Control technology

Frequency inverter Fcontrol 3~  Page 558	Motor protection units 3~  Page 596	Transformer-based controllers 3~  Page 591	Electronic voltage controllers 3~  Page 578
---	--	---	--

## Airflow direction V

Design K - axial bolted, mounted for short bell mouth E

