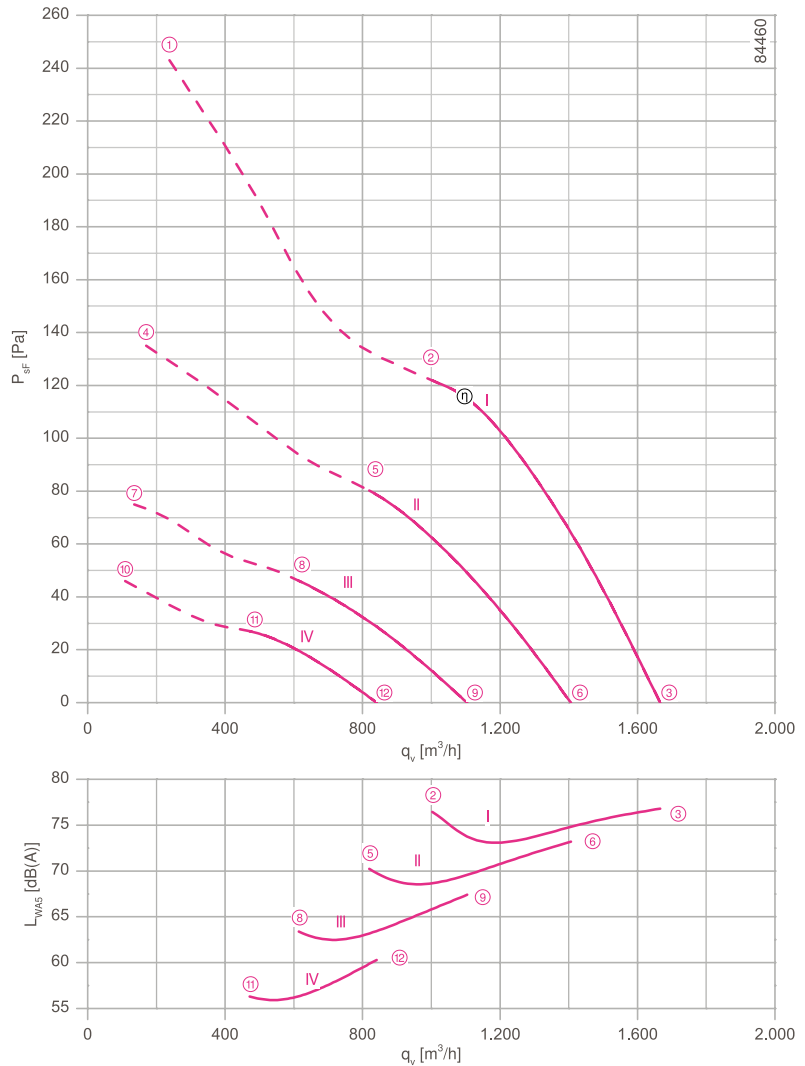


### Description

Motor technology: AC  
 Rated voltage  $U_N$ : 1~ 230 V\*  
 Rated frequency  $f_N$ : 50 Hz\* (60Hz data available)  
 Motor input power  $P_1$ : 0.14 kW\*  
 Rated current  $I_N$ : 0.60 A\*  
 Rated speed  $n_N$ : 2440 min<sup>-1</sup>\*  
 Starting current  $I_s$ : 1.15 A  
 Current increase  $\Delta I$ : 0 %  
 Service capacitor  $C_{400V}$ : 4.0  $\mu$ F  
 Thermal class: **THCL155**\*  
 Min. permitted conveyor temperature  $t_{R(min)}$ : -40 °C  
 Max. permitted conveyor temperature  $t_{R(max)}$ : 75 °C  
 Electrical connection: Supply cable variable 45 cm  
 Number of blades: 5  
 Motor protection: Thermal contact  
 Blades: Steel, powder-coated, black  
 Rotor: Aluminium, 1 coat paint, Ultramarine blue  
 Conformity: ErP 2013, CE  
**ErP Data**  
 Efficiency  $\eta_{statA}$ : 26.0 %  
 Efficiency:  $\eta_{actual} = 37.8 / N_{target} = 36^{**}$   
 \* Rated data  
 \*\*ErP 2013

### Characteristic curve



Measured in full bell mouth without guard grille in installation type A according to ISO 5801

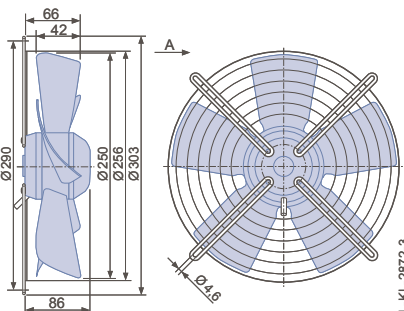
➤ Connection diagram 1360-177X Page 609

➤ System components Page 524

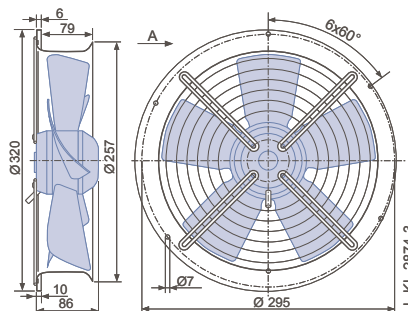
### Dimensions [mm]

Airflow direction A

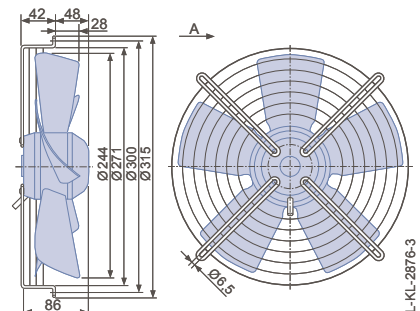
Design D - axial bolted, suspension for full bell mouth Q and L



Design L - round, full bell mouth






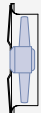


Design W - axial bolted, mounting for short bell mouth E



	curve	U		I	power P <sub>1</sub> [W]	n [min <sup>-1</sup> ]	power level L <sub>WA5</sub> [dB]
		[V]					
FB025-2E_WC_5	I	230	①	0.70	160	2250	
		230*	②	0.60*	140*	2440*	77
		230	③	0.54	120	2550	77
	II	170	④	0.66	110	1660	
		170	⑤	0.60	100	1980	70
		170	⑥	0.54	90	2180	73
	III	135	⑦	0.58	75	1250	
		135	⑧	0.56	75	1500	63
		135	⑨	0.52	70	1710	67
	IV	110	⑩	0.48	50	970	
		110	⑪	0.48	50	1150	56
		110	⑫	0.46	50	1310	60

\*rated data

## Fan ordering information

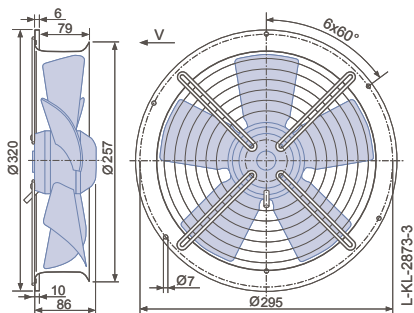
Airflow direction A				Airflow direction V			
Design	D	L	W	H	I	K	
							
Type	FB025-2ED.WC.A5	FB025-2EL.WC.A5	FB025-2EW.WC.A5	FB025-2EH.WC.V5	FB025-2EI.WC.V5	FB025-2EK.WC.V5	
Article no.	139669	139676	140545	139697	139690	138872	
Weight [kg]	2.60	3.60	2.90	3.50	2.60	3.00	

## Control technology

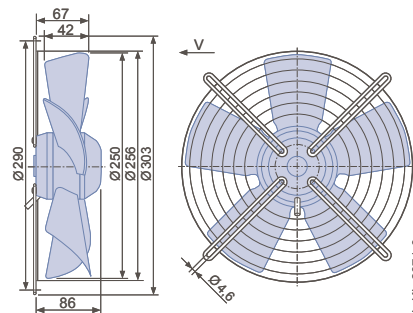
<p>Frequency inverter Fcontrol 1~</p>  <p>Page 552</p>	<p>Motor protection units 1~</p>  <p>Page 596</p>	<p>Transformer-based controllers 1~</p>  <p>Page 587</p>	<p>Electronic voltage controllers 1~</p>  <p>Page 562</p>
---	--	---	---

## Airflow direction V

### Design H - pipe sockets with a flange



### Design I - axial bolted, mounting for bell mouth flange for pipe socket H or full bell mouth Q or L



### Design K - axial bolted, mounted for short bell mouth E

