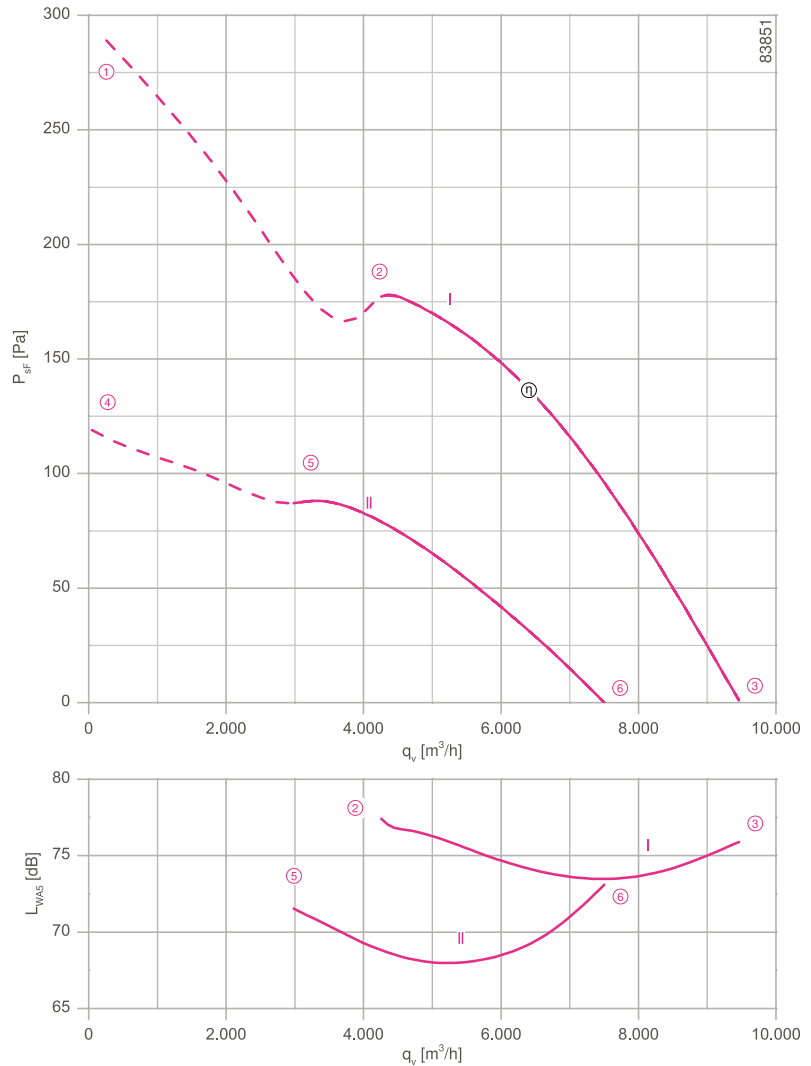


Description

Motor technology: AC
 Rated voltage U_N : 3- 400 V (Δ/Y) $\pm 10\%$ *
 Rated frequency f_N : 50 Hz*
 Motor input power P_1 : 0.84/0.54 kW*
 Rated current I_N : 1.45/0.96 A*
 Rated speed n_N : 1340/ 940 min^{-1} *
 Starting current I_s : 4.70 A / 1.55 A
 Current increase ΔI : 15 %
 Thermal class: **THCL155***
 Min. permitted conveyor temperature $t_{R(\text{min})}$: -40 °C
 Max. permitted conveyor temperature $t_{R(\text{max})}$: 70 °C
 Electrical connection: Terminal box
 Number of blades: 7
 Protection class: IP54
 Motor protection: Thermal contact
 Blades: Aluminium, uncoated
 Rotor: Aluminium, uncoated
 Conformity: ErP 2015, CE
ErP Data
 Efficiency η_{statA} : 34.2 %
 Efficiency: $N_{\text{actual}} = 41.3 / N_{\text{target}} = 40^{**}$
 * Rated data
 **ErP 2015

Characteristic curve



Measured in full bell mouth without guard grille in installation type A according to ISO 5801.

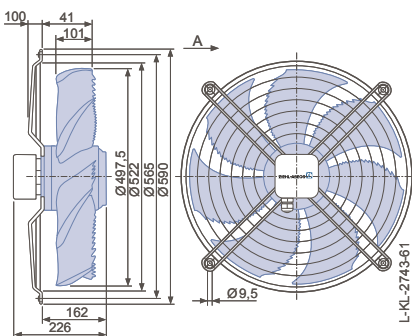
➤ Connection diagrams Page 608
 for airflow direction V 1360-108XA
 for airflow direction A 1360-108XB

➤ System components Page 524

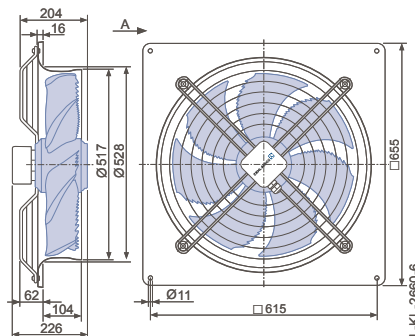
Dimensions [mm]

Airflow direction A

Design W - axial bolted, mounting for short bell mouth E

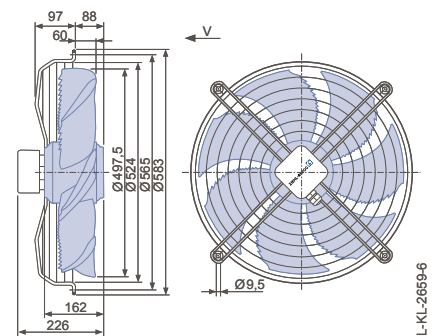


Design Q - square, full bell mouth



Airflow direction V

Design K - axial bolted, mounted for short bell mouth E



		curve	point			power		sound power level L_{WA5} [dB]
			U [V]	I [A]	P_1 [W]	n [min ⁻¹]		
FN050-VD_4I_7P1	Δ	I	400	①	1.75	1050	1280	
			400*	②	1.45*	840*	1340*	78
			400	③	1.15	620	1390	76
	Y	II	400	④	1.05	580	800	
			400*	⑤	0.96*	540*	940*	72
			400	⑥	0.82	480	1110	73

*rated data

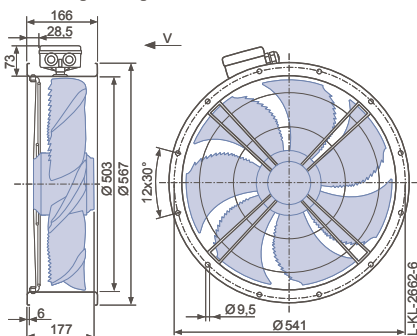
Fan ordering information

Airflow direction A		Airflow direction V				
Design	W	Q	K	F (without contact protection)	F (with contact protection)	Q
Type	FN050-VDW.4I.A7P1	FN050-VDQ.4I.A7P1	FN050-VDK.4I.V7P1	FN050-VDF.4I.V7P1	FN050-VDF.4I.V7P1	FN050-VDQ.4I.V7P1
Article no.	156556	140083	140056	140067	140073	140322
Weight [kg]	13.80	20.10	13.30	16.80	17.50	17.80

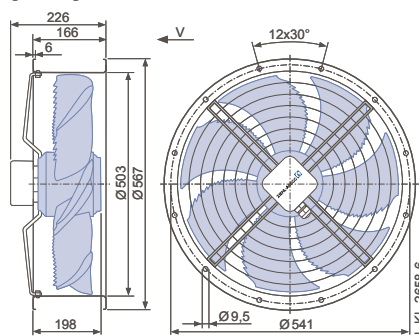
Control technology

<p>Frequency inverter Fcontrol 3~</p> <p>Page 558</p>	<p>Motor protection units 3~</p> <p>Page 596</p>	<p>Transformer-based controllers 3~</p> <p>Page 591</p>	<p>Electronic voltage controllers 3~</p> <p>Page 578</p>
---	--	---	--

Design F - flange ring with two flanges without guard grille



Design F - flange ring with two flanges and guard grille



Design Q - square, full bell mouth

