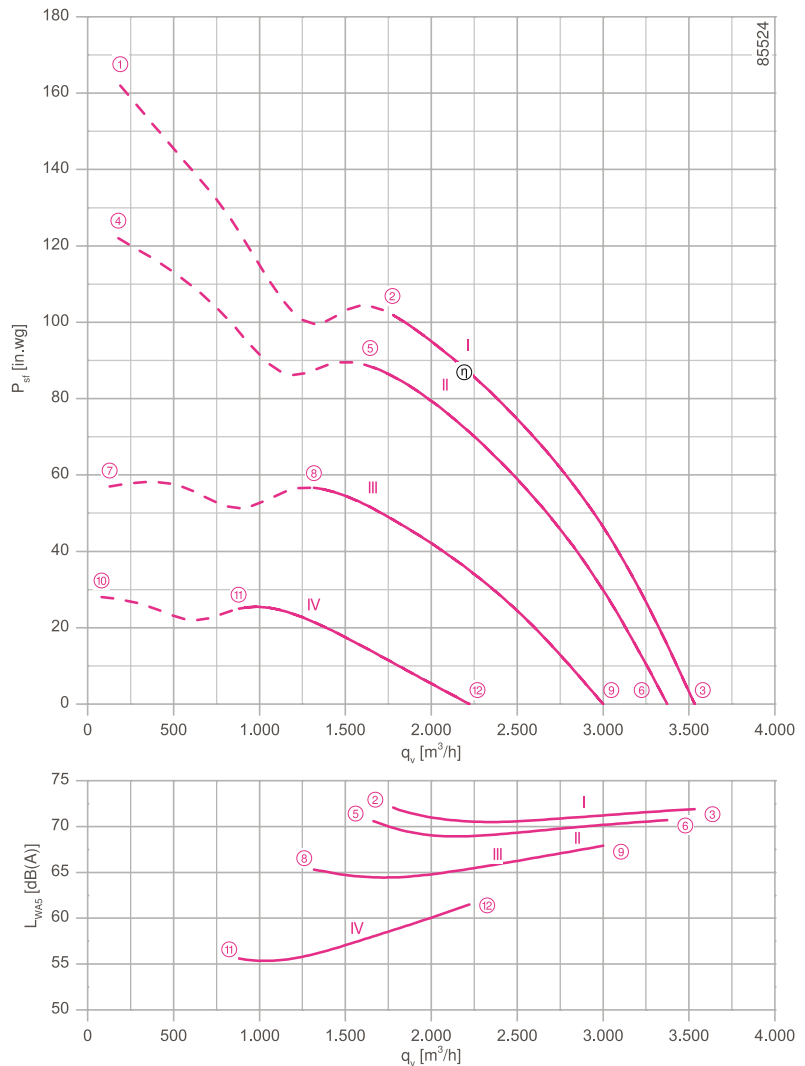




Description

Motor technology: AC
 Rated voltage U_N : 1~ 230 V \pm 10 %*
 Rated frequency f_N : 50 Hz* (60Hz data available)
 Motor input power P_1 : 0.23 kW*
 Rated current I_N : 1.05 A*
 Rated speed n_N : 1410 min⁻¹*
 Starting current I_s : 3.00 A
 Current increase ΔI : 15 %
 Service capacitor C_{400V} : 6.0 μ F
 Thermal class: **THCL155***
 Min. permitted conveyor temperature $t_{R(min)}$: -25 °C
 Max. permitted conveyor temperature $t_{R(max)}$: 70 °C
 Electrical connection: Terminal box
 Number of blades: 7
 Protection class: IP54
 Motor protection: Thermal contact
 Blades: High Performance Composite Material, uncoated, black
 Rotor: Aluminium, 1 coat paint, black
 Conformity: ErP 2013, CE
ErP Data
 Efficiency η_{statA} : 24.2 %
 Efficiency: $N_{actual} = 36.2 / N_{target} = 36$ **
 Frequency inverter required
 * Rated data
 **ErP 2013

Characteristic curve



Measured in full bell mouth without guard grille in installation type A according to ISO 5801.

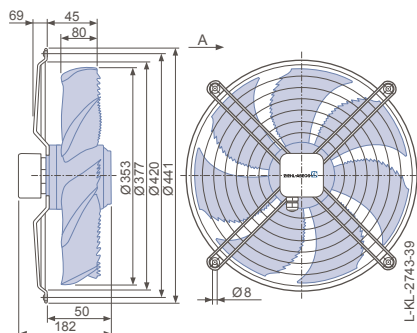
➤ Connection diagrams Page 608
 for airflow direction V 1360-104XA
 for airflow direction A 1360-104XB

➤ System components Page 524

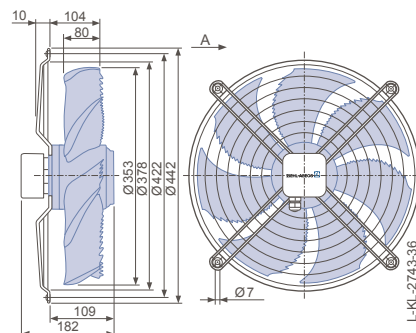
Dimensions [mm]

Airflow direction A

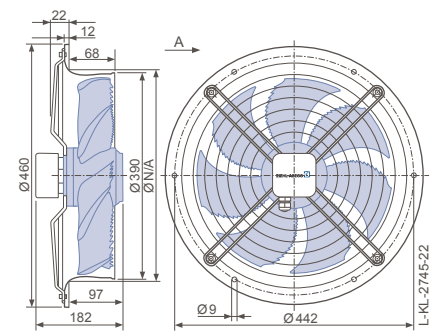
Design W - axial bolted, mounting for short bell mouth E



Design D - axial bolted, suspension for full bell mouth Q and L









Design L - round, full bell mouth



	curve	U		I	power P ₁ [W]	n [min ⁻¹]	power level L _{WA5} [dB]
		[V]					
FN035-4E_OF_7P2	I	230	①	1.20	270	1370	
		230*	②	1.05*	230*	1410*	72
		230	③	0.98	210	1430	72
	II	170	④	1.35	220	1190	
		170	⑤	1.05	180	1310	71
		170	⑥	0.90	150	1360	71
	III	135	⑦	1.35	180	810	
		135	⑧	1.20	160	1040	65
		135	⑨	1.00	140	1220	68
	IV	110	⑩	1.15	120	570	
		110	⑪	1.15	120	700	56
		110	⑫	1.10	120	900	62

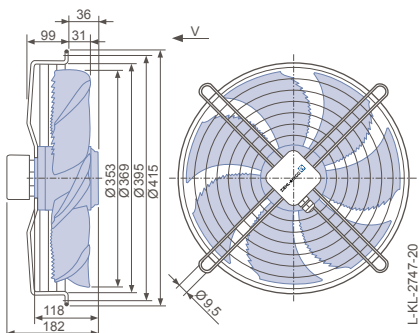
*rated data

Fan ordering information

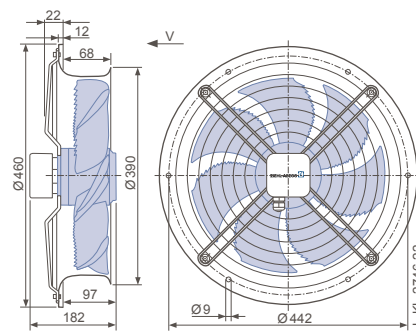
Airflow direction A		Airflow direction V				
Design	W	D	L	K	H	I
						
Type	FN035-4EW.OF.A7P2	FN035-4ED.OF.A7P2	FN035-4EL.OF.A7P2	FN035-4EK.OF.V7P2	FN035-4EH.OF.V7P2	FN035-4EI.OF.V7P2
Article no.	155879	155877	155878	155883	155882	155881
Weight [kg]	5.10	4.80	6.80	5.30	6.80	4.70

Airflow direction V

Design K - axial bolted, mounted for short bell mouth E



Design H - pipe sockets with a flange



Design I - axial bolted, mounting for bell mouth flange for pipe socket H or full bell mouth Q or L

