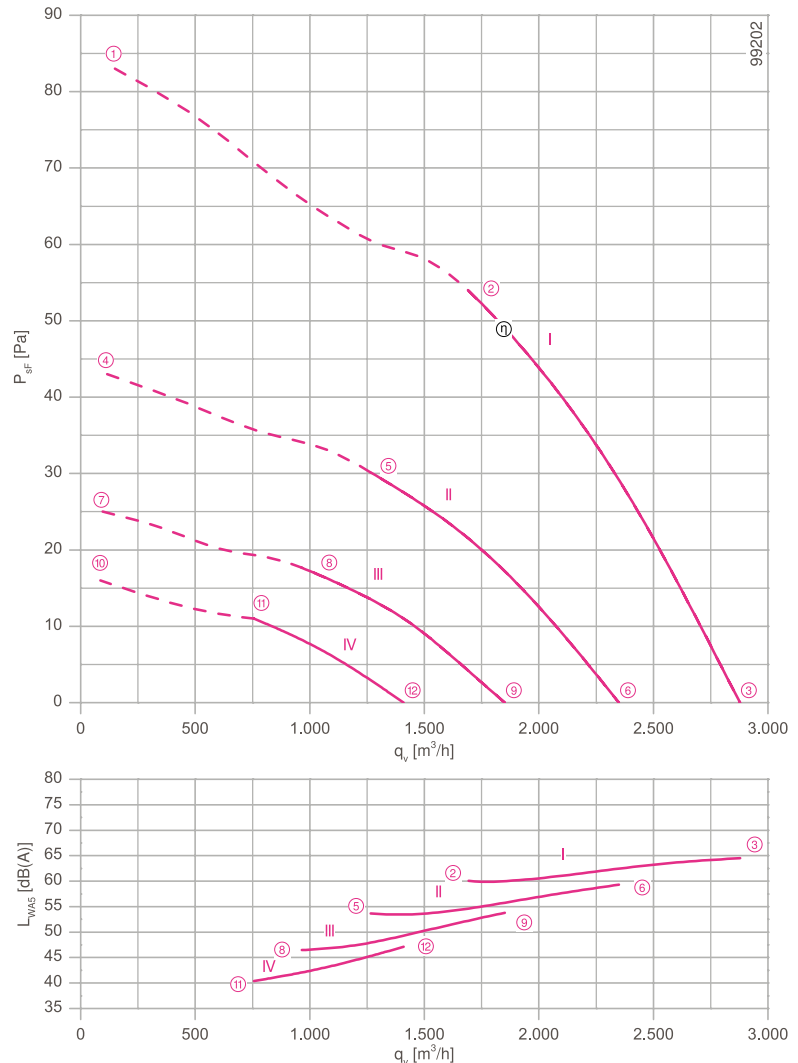




## Description

Motor technology: AC  
 Rated voltage  $U_N$ : 1~ 230 V\*  
 Rated frequency  $f_N$ : 50 Hz\* (60Hz data available)  
 Motor input power  $P_1$ : 0.13 kW\*  
 Rated current  $I_N$ : 0.56 A\*  
 Rated speed  $n_N$ : 1070 min<sup>-1</sup>\*  
 Starting current  $I_s$ : 0.70 A  
 Current increase  $\Delta I$ : 0 %  
 Service capacitor  $C_{400V}$ : 5.0  $\mu$ F  
 Thermal class: **THCL155**\*  
 Min. permitted conveyor temperature  $t_{R(min)}$ : -40 °C  
 Max. permitted conveyor temperature  $t_{R(max)}$ : 60 °C  
 Electrical connection: Supply cable variable 45 cm  
 Number of blades: 7  
 Motor protection: Thermal contact  
 Blades: High Performance Composite Material, uncoated, black  
 Rotor: Aluminium, 1 coat paint, Ultramarine blue  
 Conformity: CE  
**ErP Data**  
 Is not subject to the ErP Guidelines ( $P_1 < 125$  W)  
 \* Rated data

## Characteristic curve



Measured in full bell mouth without guard grille in installation type A according to ISO 5801.

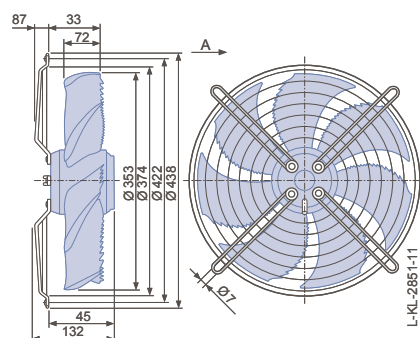
➤ Connection diagram 1360-177X Page 609

➤ System components Page 524

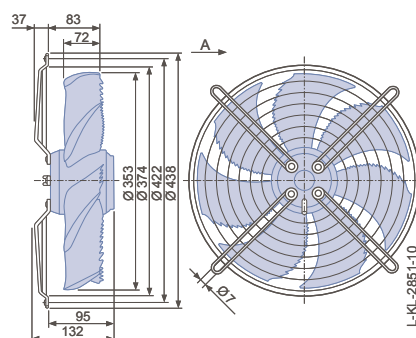
## Dimensions [mm]

Airflow direction A

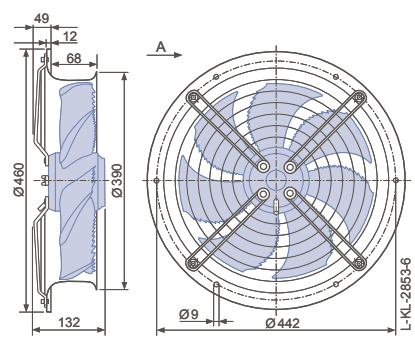
Design W - axial bolted, mounting for short bell mouth E



Design D - axial bolted, suspension for full bell mouth Q and L



Design L - round, full bell mouth



	curve	U		I	power	n	power level
		[V]		[A]	P <sub>1</sub>		L <sub>WAS</sub>
FN035-4E_WD_7	I	230	①	0.60	140	910	
		<b>230*</b>	②	<b>0.56*</b>	<b>130*</b>	<b>1070*</b>	60
		230	③	0.50	110	1220	65
	II	170	④	0.48	80	660	
		170	⑤	0.46	80	810	54
		170	⑥	0.44	70	1000	59
	III	135	⑦	0.39	55	510	
		135	⑧	0.38	50	620	47
		135	⑨	0.37	50	780	54
	IV	110	⑩	0.32	36	400	
		110	⑪	0.32	36	490	40
		110	⑫	0.32	34	610	47

\*rated data

## Fan ordering information

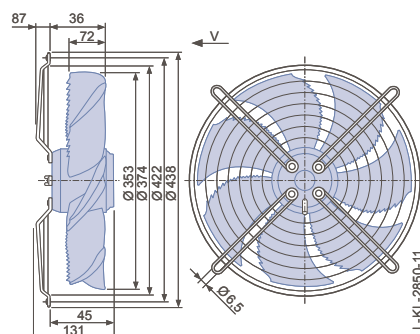
Design	Airflow direction A			Airflow direction V		
	W	D	L	K	H	I
<b>Type</b>	<b>FN035-4EW.WD.A7</b>	<b>FN035-4ED.WD.A7</b>	<b>FN035-4EL.WD.A7</b>	<b>FN035-4EK.WD.V7</b>	<b>FN035-4EH.WD.V7</b>	<b>FN035-4EI.WD.V7</b>
<b>Article no.</b>	<b>162549</b>	<b>162547</b>	<b>162548</b>	<b>162545</b>	<b>162544</b>	<b>162543</b>
<b>Weight [kg]</b>	4.90	4.50	6.50	4.90	6.50	4.50

## Control technology

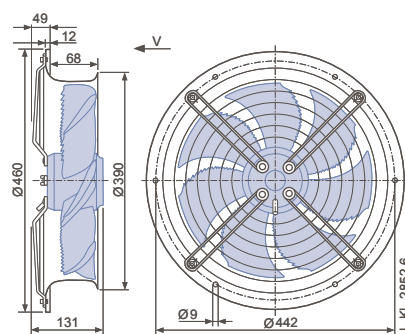
<b>Frequency inverter</b> Fcontrol 1~  Page 552	<b>Motor protection units</b> 1~  Page 596	<b>Transformer-based controllers</b> 1~  Page 587	<b>Electronic voltage controllers</b> 1~  Page 562
--	---	--	---

## Airflow direction V

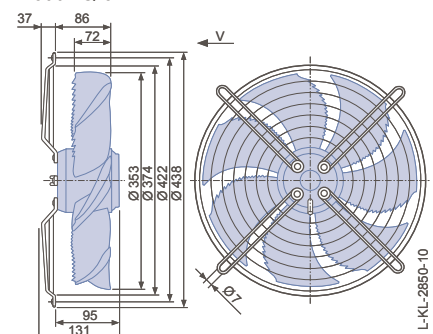
Design K - axial bolted, mounted for short bell mouth E



Design H - pipe sockets with a flange



Design I - axial bolted, mounting for bell mouth flange for pipe socket H or full bell mouth Q or L



Information

FE2owlet ECblue

FE2owlet

FB

FC

System components

Control technology

Appendix