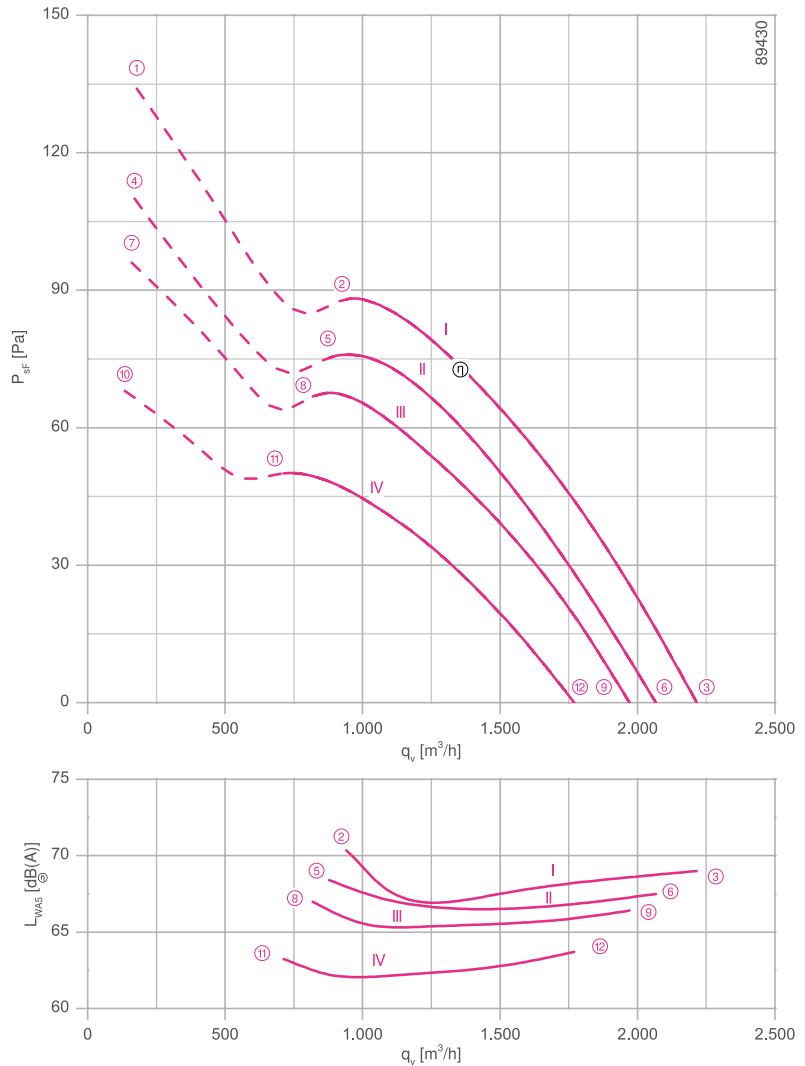




Description

Motor technology: AC
 Rated voltage U_N : 3~ 230/400 V (Δ/Y) ± 10 %*
 Rated frequency f_N : 50 Hz* (60Hz data available)
 Motor input power P_1 : 0.12 kW*
 Rated current I_N : 0.68/0.39 A*
 Rated speed n_N : 1450 min⁻¹*
 Starting current I_s : 2.80 A / 1.70 A
 Current increase ΔI : 0 %
 Thermal class: THCL155*
 Min. permitted conveyor temperature $t_{R(min)}$: -40 °C
 Max. permitted conveyor temperature $t_{R(max)}$: 70 °C
 Electrical connection: Terminal box
 Number of blades: 7
 Protection class: IP54
 Motor protection: Thermal contact
 Blades: High Performance Composite Material, uncoated, black
 Rotor: Aluminium, 1 coat paint, black
 Conformity: CE
ErP Data
 Is not subject to the ErP Guidelines ($P_1 < 125$ W)
 * Rated data

Characteristic curve



Measured in full bell mouth without guard grille in installation type A according to ISO 5801.

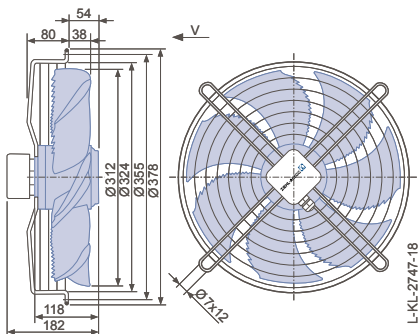
➤ Connection diagram 1360-106XA Page 608

➤ System components Page 524

Dimensions [mm]

Airflow direction V

Design K - axial bolted, mounted for short bell mouth E



	curve	U		I	power	n	power level
		[V]		[A]	P_1 [W]	[min ⁻¹]	L_{WA5} [dB]
FN031-4D_0F_7P2	I	400	①	0.40	140	1440	
		400*	②	0.39*	120*	1450*	70
		400	③	0.39	110	1460	69
	II	230	④	0.30	100	1310	
		230	⑤	0.28	90	1340	69
		230	⑥	0.25	75	1380	68
	III	190	⑦	0.32	90	1220	
		190	⑧	0.29	80	1260	67
		190	⑨	0.25	70	1320	66
	IV	145	⑩	0.33	75	1030	
		145	⑪	0.30	70	1090	63
		145	⑫	0.27	60	1180	64

*rated data

Fan ordering information

Airflow direction V

Design K



Type FN031-4DK.0F.V7P2

Article no. 159471

Weight [kg] 4.90

Control technology

Frequency inverter
Fcontrol 3~



Page 558

Motor protection units
3~



Page 596

Transformer-based
controllers 3~



Page 591

Electronic voltage
controllers 3~



Page 578