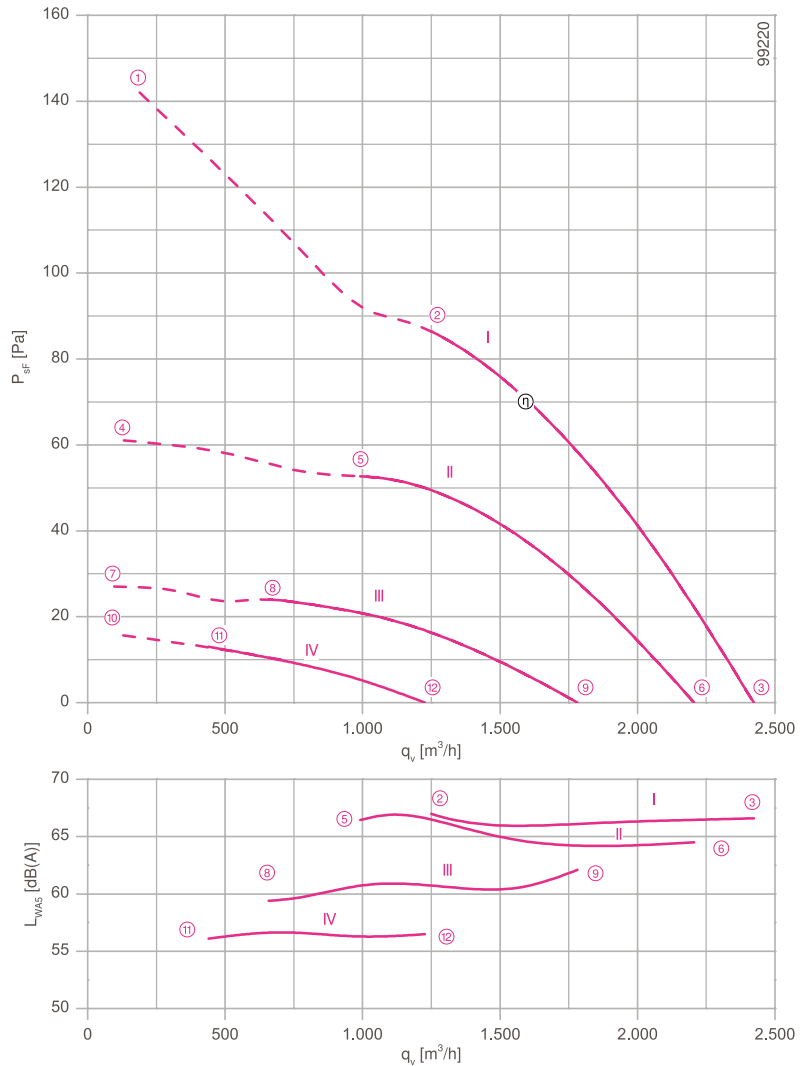




### Description

Motor technology: AC  
 Rated voltage  $U_N$ : 1~ 230 V\*  
 Rated frequency  $f_N$ : 50 Hz\* (60Hz data available)  
 Motor input power  $P_1$ : 0.12 kW\*  
 Rated current  $I_N$ : 0.54 A\*  
 Rated speed  $n_N$ : 1330 min<sup>-1</sup>\*  
 Starting current  $I_s$ : 1.00 A  
 Current increase  $\Delta I$ : 0 %  
 Service capacitor  $C_{400V}$ : 5.0  $\mu$ F  
 Thermal class: **THCL155**\*  
 Min. permitted conveyor temperature  $t_{R(min)}$ : -40 °C  
 Max. permitted conveyor temperature  $t_{R(max)}$ : 70 °C  
 Electrical connection: Supply cable variable 45 cm  
 Number of blades: 7  
 Motor protection: Thermal contact  
 Blades: High Performance Composite Material, uncoated, black  
 Rotor: Aluminium, 1 coat paint, Ultramarine blue  
 Conformity: CE  
**ErP Data**  
 Is not subject to the ErP Guidelines ( $P_1 < 125$  W)  
 \* Rated data

### Characteristic curve



Measured in full bell mouth without guard grille in installation type A according to ISO 5801.

Connection diagram 1360-177X Page 609

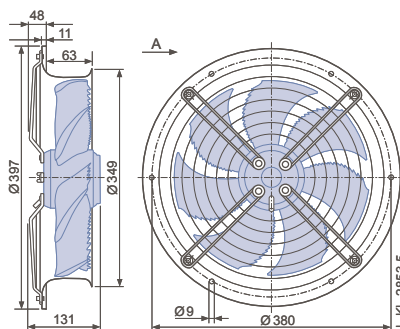
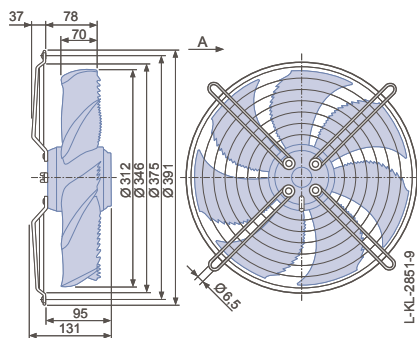
System components Page 524

### Dimensions [mm]

Airflow direction A

Design D - axial bolted, suspension for full bell mouth Q and L





Design L - round, full bell mouth



curve	U [V]		I [A]	power P <sub>1</sub> [W]	n [min <sup>-1</sup> ]	power level L <sub>WA5</sub> [dB]	
FN031-4E_WD_7	I	230	①	0.64	140	1250	
		230*	②	0.54*	120*	1330*	67
		230	③	0.44	100	1400	66
	II	170	④	0.62	100	860	
		170	⑤	0.56	95	1070	66
		170	⑥	0.44	75	1290	65
	III	135	⑦	0.52	70	580	
		135	⑧	0.50	70	720	59
		135	⑨	0.44	60	1050	62
	IV	110	⑩	0.42	46	450	
		110	⑪	0.42	46	520	56
		110	⑫	0.42	44	720	57

\*rated data

## Fan ordering information

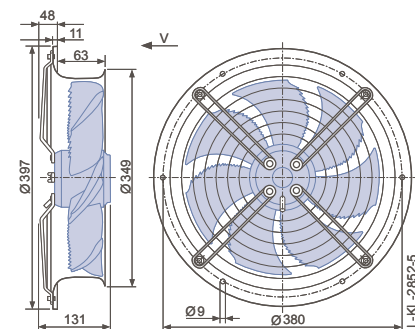
Airflow direction A		Airflow direction V		
Design	D	L	H	I
				
Type	FN031-4ED.WD.A7	FN031-4EL.WD.A7	FN031-4EH.WD.V7	FN031-4EI.WD.V7
Article no.	161640	161641	161638	161637
Weight [kg]	4.30	5.80	5.80	4.30

## Control technology

<p>Frequency inverter Fcontrol 1~</p>  <p>Page 552</p>	<p>Motor protection units 1~</p>  <p>Page 596</p>	<p>Transformer-based controllers 1~</p>  <p>Page 587</p>	<p>Electronic voltage controllers 1~</p>  <p>Page 562</p>
---	--	---	---

## Airflow direction V

Design H - pipe sockets with a flange



Design I - axial bolted, mounting for bell mouth flange for pipe socket H or full bell mouth Q or L

