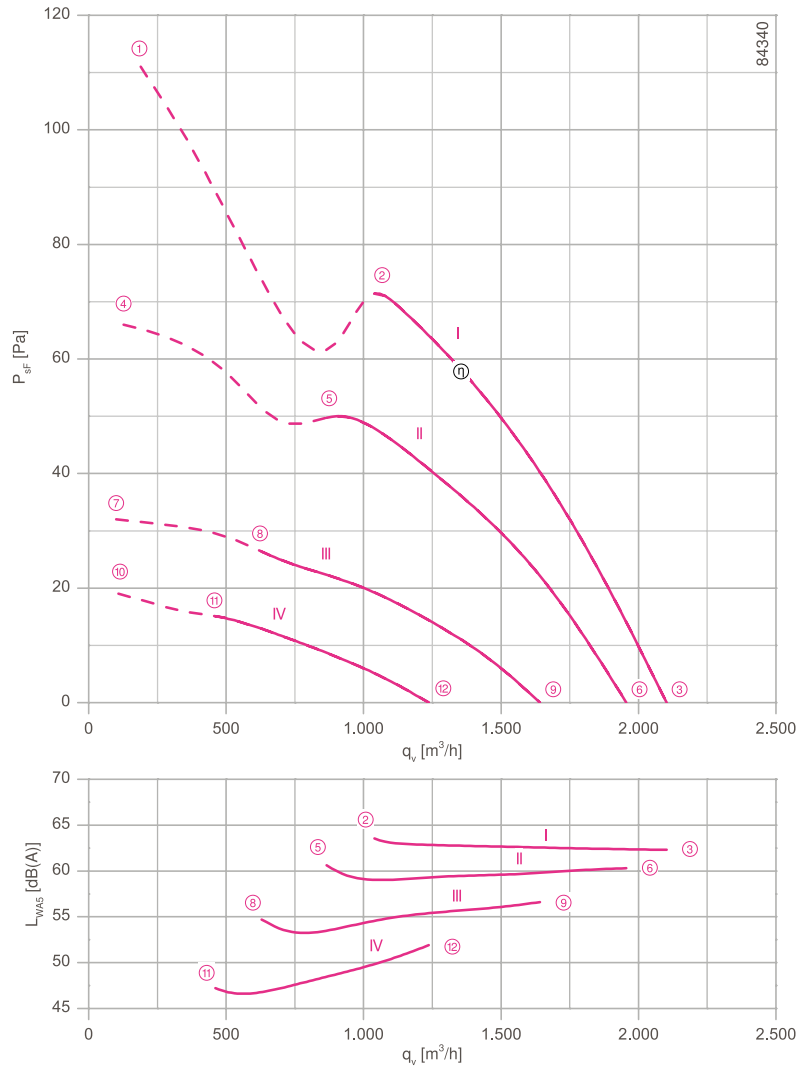




Description

Motor technology: AC
 Rated voltage U_N : 1 ~ 230 V*
 Rated frequency f_N : 50 Hz* (60Hz data available)
 Motor input power P_1 : 0.10 kW*
 Rated current I_N : 0.42 A*
 Rated speed n_N : 1330 min⁻¹*
 Starting current I_A : 0.77 A
 Current increase ΔI : 0 %
 Service capacitor C_{400V} : 3.0 μF
 Thermal class: **THCL155***
 Min. permitted conveyor temperature $t_{R(min)}$: -40 °C
 Max. permitted conveyor temperature $t_{R(max)}$: 60 °C
 Electrical connection: Supply cable variable 45 cm
 Number of blades: 7
 Motor protection: Thermal contact
 Blades: High Performance Composite Material, uncoated, black
 Rotor: Aluminium, 1 coat paint, Ultramarine blue
 Conformity: CE
ErP Data
 Is not subject to the ErP Guidelines ($P_1 < 125$ W)
 * Rated data

Characteristic curve



Measured in full bell mouth without guard grille in installation type A according to ISO 5801.

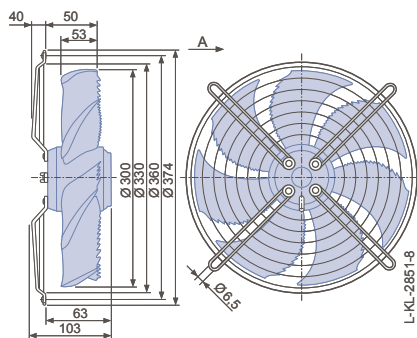
Connection diagram 1360-177X Page 609

System components Page 524

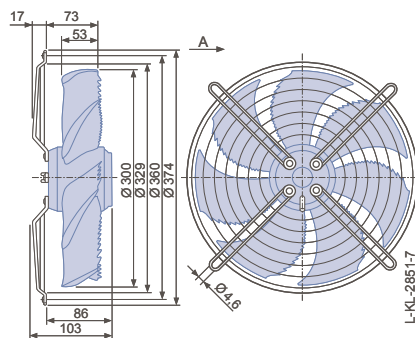
Dimensions [mm]

Airflow direction A

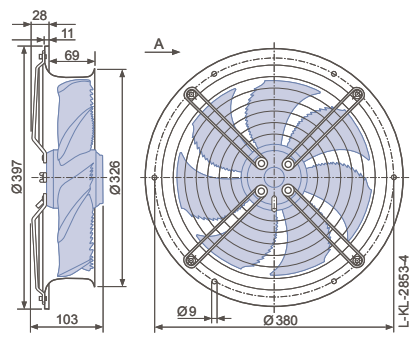
Design W - axial bolted, mounting for short bell mouth E



Design D - axial bolted, suspension for full bell mouth Q and L









Design L - round, full bell mouth



	curve	U		I	power P ₁ [W]	n [min ⁻¹]	power level L _{WA5} [dB]
		[V]					
FN030-4E_WC_7	I	230	①	0.46	110	1280	
		230*	②	0.42*	95*	1330*	64
		230	③	0.35	80	1400	62
	II	170	④	0.46	75	970	
		170	⑤	0.40	70	1140	61
		170	⑥	0.33	55	1300	60
	III	135	⑦	0.39	50	680	
		135	⑧	0.38	50	830	55
		135	⑨	0.33	44	1100	57
	IV	110	⑩	0.33	36	520	
		110	⑪	0.33	34	600	47
		110	⑫	0.31	34	830	52

*rated data

Fan ordering information

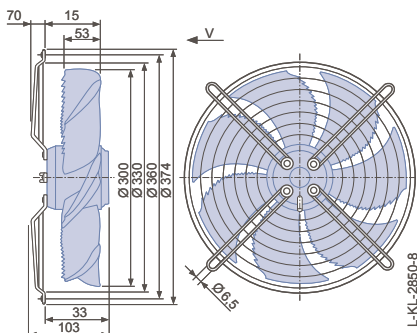
Airflow direction A				Airflow direction V			
Design	W	D	L	K	H	I	
							
Type	FN030-4EW.WC.A7	FN030-4ED.WC.A7	FN030-4EL.WC.A7	FN030-4EK.WC.V7	FN030-4EH.WC.V7	FN030-4EI.WC.V7	
Article no.	141633	141631	141632	141636	141635	141634	
Weight [kg]	3.70	3.60	5.10	3.80	5.10	3.60	

Control technology

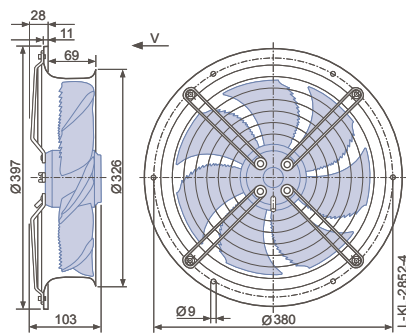
<p>Frequency inverter Fcontrol 1~</p>  <p>▶ Page 552</p>	<p>Motor protection units 1~</p>  <p>▶ Page 596</p>	<p>Transformer-based controllers 1~</p>  <p>▶ Page 587</p>	<p>Electronic voltage controllers 1~</p>  <p>▶ Page 562</p>
---	--	---	--

Airflow direction V

Design K - axial bolted, mounted for short bell mouth E



Design H - pipe sockets with a flange



Design I - axial bolted, mounting for bell mouth flange for pipe socket H or full bell mouth Q or L

