

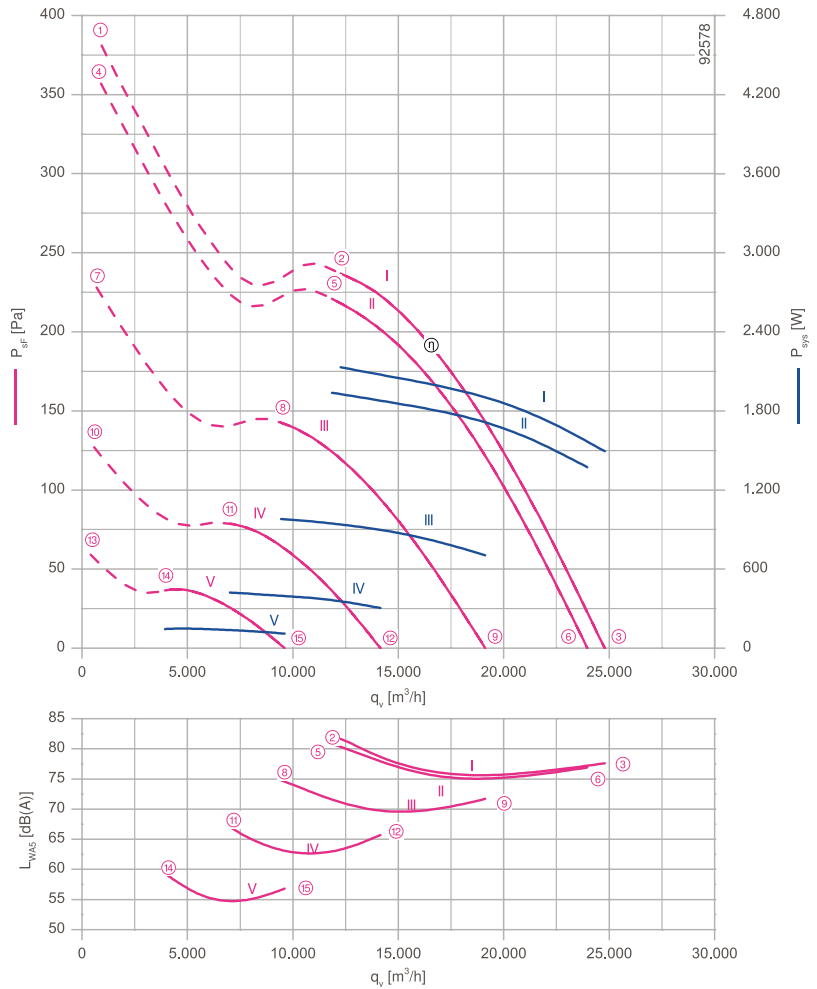


Description

Motor technology: EC
 Rated voltage U: 3~ 200-240 V*
 Rated frequency f: 50/60 Hz*
 Motor input power P_{sys} : 2.10 kW*
 Rated current I: 6.60- 5.50 A*
 Rated speed n_{max} : 970 min⁻¹*
 Thermal class: THCL155*
 Min. permitted conveyor temperature $t_{R(min)}$: -35 °C
 Max. permitted conveyor temperature $t_{R(max)}$: 55 °C
 Electrical connection: integrated Controller
 Number of blades: 7
 Protection class: IP54
 Motor protection: Integrated active temperature management
 Blades: Aluminium, uncoated
 Rotor: Steel, 2 coat paint, Ultramarine blue
 Conformity: ErP 2015, CE, UL

ErP Data
 Efficiency η_{statA} : 47.7 %
 Efficiency: $N_{actual} = 52.1 / N_{target} = 40^{**}$
 EC controller integrated
 * Rated data
 **ErP 2015

Characteristic curve



Measured in full bell mouth without guard grille in installation type A according to ISO 5801.

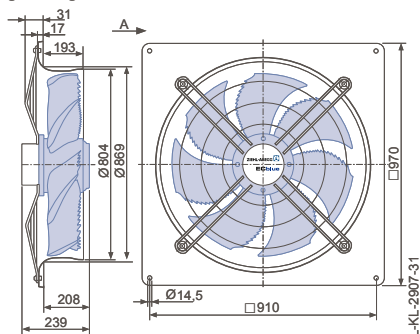
Connection diagram 1360-401 Page 607

System components Page 524

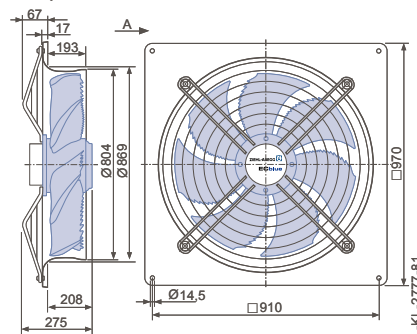
Dimensions [mm]

Airflow direction A

Design Q full bell mouth, square without guard grill



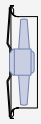


Design Q full bell mouth, square with contact protection



	curve	n [min ⁻¹]		I [A]	power P _{sys} [W]	sound power level L _{WAS} [dB]	media tempera- ture t _r [°C]
FN080-ZI_GG_7P3	I	970	①	8.00	3000		55
		970	②	5.80	2100	82	
		970	③	4.00	1500	78	
	II	940	④	7.20	2700		60
		940	⑤	5.20	1950	81	
		940	⑥	3.70	1350	77	
	III	750	⑦	3.60	1350		
		750	⑧	2.70	980	75	
		750	⑨	1.95	700	72	
	IV	560	⑩	1.55	560		
		560	⑪	1.20	420	67	
		560	⑫	0.88	300	66	
	V	380	⑬	0.62	190		
		380	⑭	0.52	150	57	
		380	⑮	0.42	110	57	

Current values determined at 230V

Fan ordering information

	Airflow direction A		Airflow direction V
Design	Q (without contact protection)	Q (with contact protection)	Q
			
Type	FN080-ZIQ.GG.A7P3	FN080-ZIQ.GG.A7P3	FN080-ZIQ.GG.V7P3
Basic electronics			
Article no.	159854	159856	159848
Premium electronics			
Article no.	159855	159857	159849
Weight [kg]	45.90	49.70	47.70

Control technology

Control module	Operating terminal	Expansion module
		
Page 540	Page 551	Page 550

Airflow direction V

Design Q - square, full bell mouth

