






		n [min ⁻¹]		I [A]	P _{sys} [W]	power level L _{WA5} [dB]
FN080-ZL_DG_5P4	I	700	①	3.20	1200	
		700	②	2.20	820	70
		700	③	1.50	560	70
	II	560	④	1.65	600	
		560	⑤	1.20	420	64
		560	⑥	0.80	280	64
	III	420	⑦	0.74	260	
		420	⑧	0.58	190	57
		420	⑨	0.44	130	58
	IV	280	⑩	0.34	80	
		280	⑪	0.27	60	50
		280	⑫	0.21	44	51

Current values determined at 230V

Fan ordering information

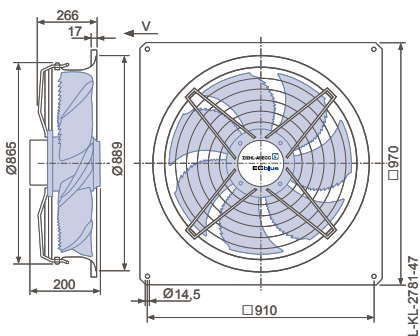
Airflow direction A			Airflow direction V		
Design	D	Q	Q	S	I
					
Type	FN080-ZID.DG.A5P4	FN080-ZIQ.DG.A5P4	FN080-ZIQ.DG.V5P4	FN080-ZIS.DG.V5P4	FN080-ZII.DG.V5P4
Basic electronics					
Article no.	157209	157210	157213	157214	157212
Premium electronics					
Article no.	157216	157217	157220	157221	157219
Weight [kg]	20.90	35.60	34.10	19.80	19.30

Control technology

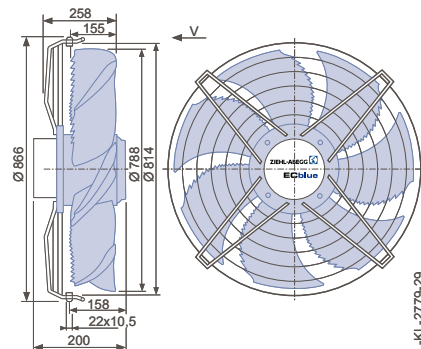
Control module	Operating terminal	Expansion module
		
➤ Page 540	➤ Page 551	➤ Page 550

Airflow direction V

Design Q - square, full bell mouth



Design S - radially bolted, mounting for full bell mouth Q and L



Design I - axial bolted, mounting for bell mouth flange for pipe socket H or full bell mouth Q or L

