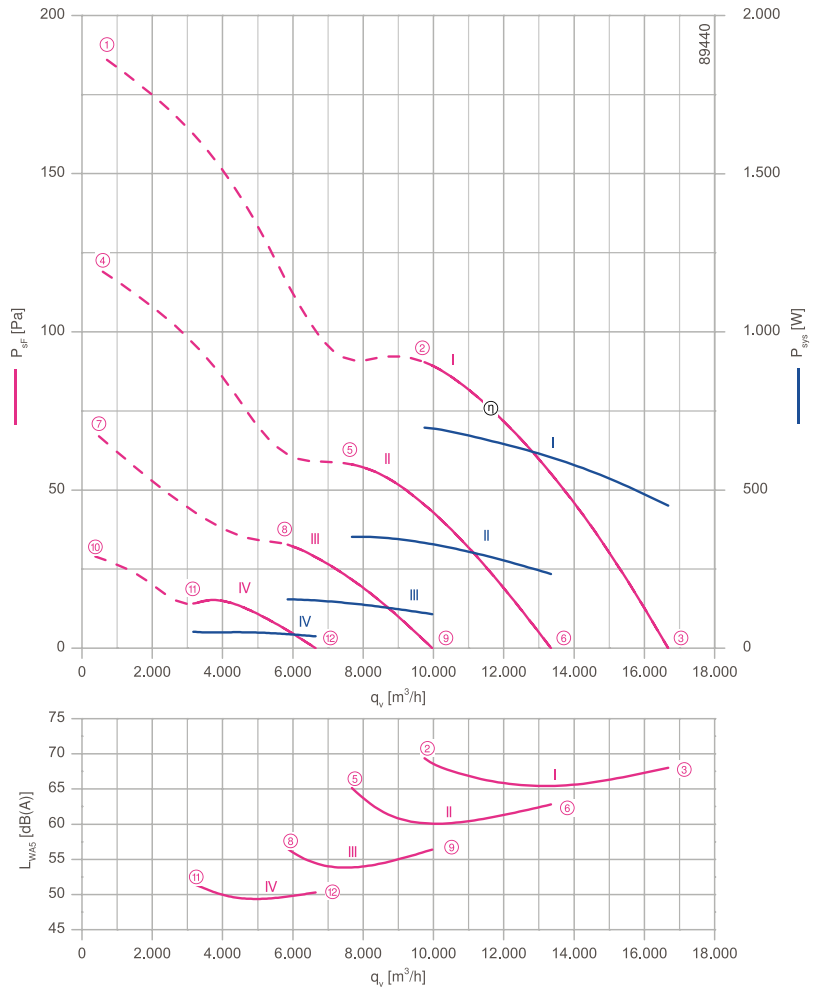




Description

Motor technology: EC
 Rated voltage U: 1~ 200-277 V*
 Rated frequency f: 50/60 Hz*
 Motor input power P_{sys} : 0.70 kW*
 Rated current I: 3.70- 2.70 A*
 Rated speed n_{max} : 650 min⁻¹*
 Thermal class: THCL155*
 Min. permitted conveyor temperature $t_{R(min)}$: -35 °C
 Max. permitted conveyor temperature $t_{R(max)}$: 60 °C
 Electrical connection: integrated Controller
 Number of blades: 5
 Protection class: IP54
 Motor protection: Integrated active temperature management
 Blades: High Performance Composite Material, uncoated, black
 Rotor: Steel, 2 coat paint, Ultramarine blue
 Conformity: ErP 2015, CE, UL
ErP Data
 Efficiency η_{statA} : 42.0 %
 Efficiency: $N_{actual} = 49.5 / N_{target} = 40^{**}$
 EC controller integrated
 * Rated data
 **ErP 2015

Characteristic curve



Measured in full bell mouth without guard grille in installation type A according to ISO 5801.

➤ Connection diagram 1360-401 Page 607

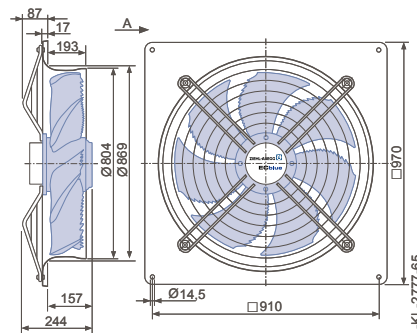
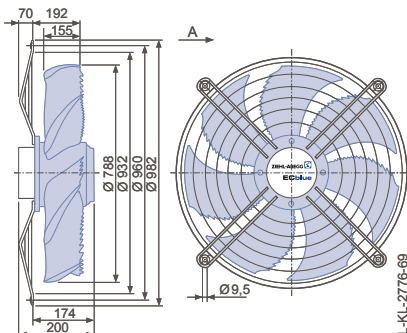
➤ System components Page 524

Dimensions [mm]

Airflow direction A

Design D - axial bolted, suspension for full bell mouth Q and L

Design Q - square, full bell mouth



		n [min ⁻¹]		I [A]	P _{sys} [W]	power level L _{WA5} [dB]
FN080-ZL-DG...5P4	I	650	①	4.60	1000	
		650	②	3.20	700	70
		650	③	2.10	460	68
	II	520	④	2.40	500	
		520	⑤	1.65	350	65
		520	⑥	1.10	230	63
	III	390	⑦	1.00	220	
		390	⑧	0.72	150	57
		390	⑨	0.54	110	56
	IV	260	⑩	0.40	70	
		260	⑪	0.46	50	50
		260	⑫	0.40	38	50

Current values determined at 230V

Fan ordering information

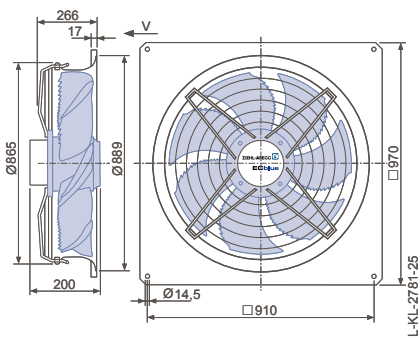
Airflow direction A			Airflow direction V		
Design	D	Q	Q	S	I
Type	FN080-ZID.DG.A5P4	FN080-ZIQ.DG.A5P4	FN080-ZIQ.DG.V5P4	FN080-ZIS.DG.V5P4	FN080-ZII.DG.V5P4
Basic electronics					
Article no.	157181	157182	157185	157186	157184
Premium electronics					
Article no.	157188	157189	157192	157193	157191
Weight [kg]	20.90	35.60	34.10	19.80	19.30

Control technology

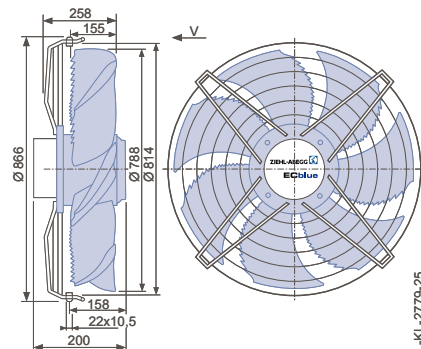
Control module	Operating terminal	Expansion module
➤ Page 540	➤ Page 551	➤ Page 550

Airflow direction V

Design Q - square, full bell mouth



Design S - radially bolted, mounting for full bell mouth Q and L



Design I - axial bolted, mounting for bell mouth flange for pipe socket H or full bell mouth Q or L

