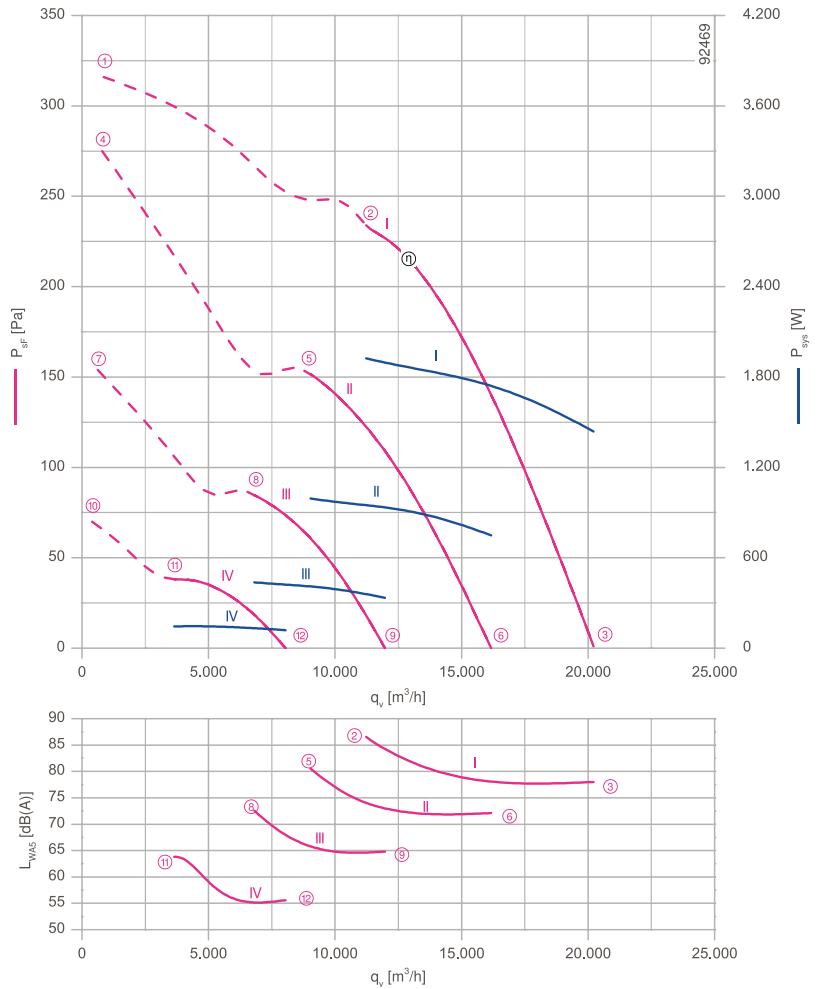




### Description

Motor technology: EC  
 Rated voltage U: 3~ 380-480 V\*  
 Rated frequency f: 50/60 Hz\*  
 Motor input power  $P_{sys}$ : 1.95 kW\*  
 Rated current I: 3.20- 2.50 A\*  
 Rated speed  $n_{max}$ : 1150 min<sup>-1</sup>\*  
 Thermal class: THCL155\*  
 Min. permitted conveyor temperature  $t_{R(min)}$ : -35 °C  
 Max. permitted conveyor temperature  $t_{R(max)}$ : 65 °C  
 Electrical connection: integrated Controller  
 Number of blades: 7  
 Protection class: IP54  
 Motor protection: Integrated active temperature management  
 Blades: Aluminium, uncoated  
 Rotor: Steel, 2 coat paint, Ultramarine blue  
 Conformity: ErP 2015, CE, UL  
**ErP Data**  
 Efficiency  $\eta_{statA}$ : 44.8 %  
 Efficiency:  $N_{actual} = 49.5 / N_{target} = 40^{**}$   
 EC controller integrated  
 \* Rated data  
 \*\*ErP 2015

### Characteristic curve



Measured in full bell mouth without guard grille in installation type A according to ISO 5801.

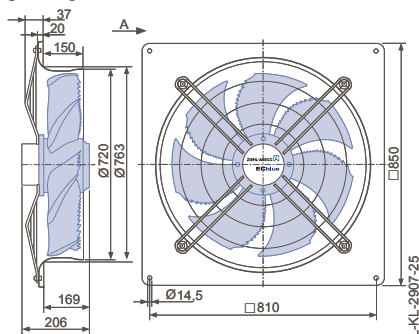
Connection diagram 1360-401 Page 607

System components Page 524

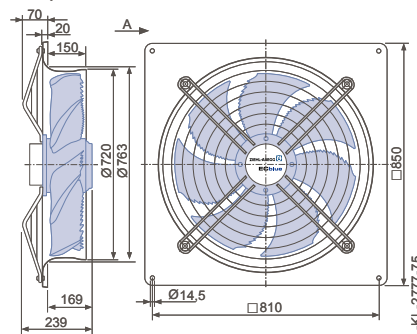
### Dimensions [mm]

Airflow direction A

Design Q full bell mouth, square without guard grill



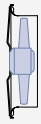


Design Q full bell mouth, square with contact protection



		n [min <sup>-1</sup> ]		I [A]	P <sub>sys</sub> [W]	power level L <sub>WA5</sub> [dB]
FN071-ZL_GG_7P4	I	1150	①	2.80	1750	
		1150	②	3.10	1950	87
		1150	③	2.30	1450	78
	II	920	④	2.30	1400	
		920	⑤	1.70	1000	81
		920	⑥	1.30	740	72
	III	690	⑦	1.10	600	
		690	⑧	0.88	440	73
		690	⑨	0.70	330	65
	IV	460	⑩	0.48	200	
		460	⑪	0.39	150	61
		460	⑫	0.34	120	56

Current values determined at 400V

## Fan ordering information

	Airflow direction A		Airflow direction V
Design	Q (without contact protection)	Q (with contact protection)	Q
			
<b>Type</b>	<b>FN071-ZIQ.GG.A7P4</b>	<b>FN071-ZIQ.GG.A7P4</b>	<b>FN071-ZIQ.GG.V7P4</b>
Basic electronics			
<b>Article no.</b>	<b>154920</b>	<b>154924</b>	<b>154908</b>
Premium electronics			
<b>Article no.</b>	<b>154921</b>	<b>154925</b>	<b>154909</b>
Weight [kg]	37.50	41.00	41.00

## Control technology

Control module	Operating terminal	Expansion module
		
➤ Page 540	➤ Page 551	➤ Page 550

## Airflow direction V

Design Q - square, full bell mouth

