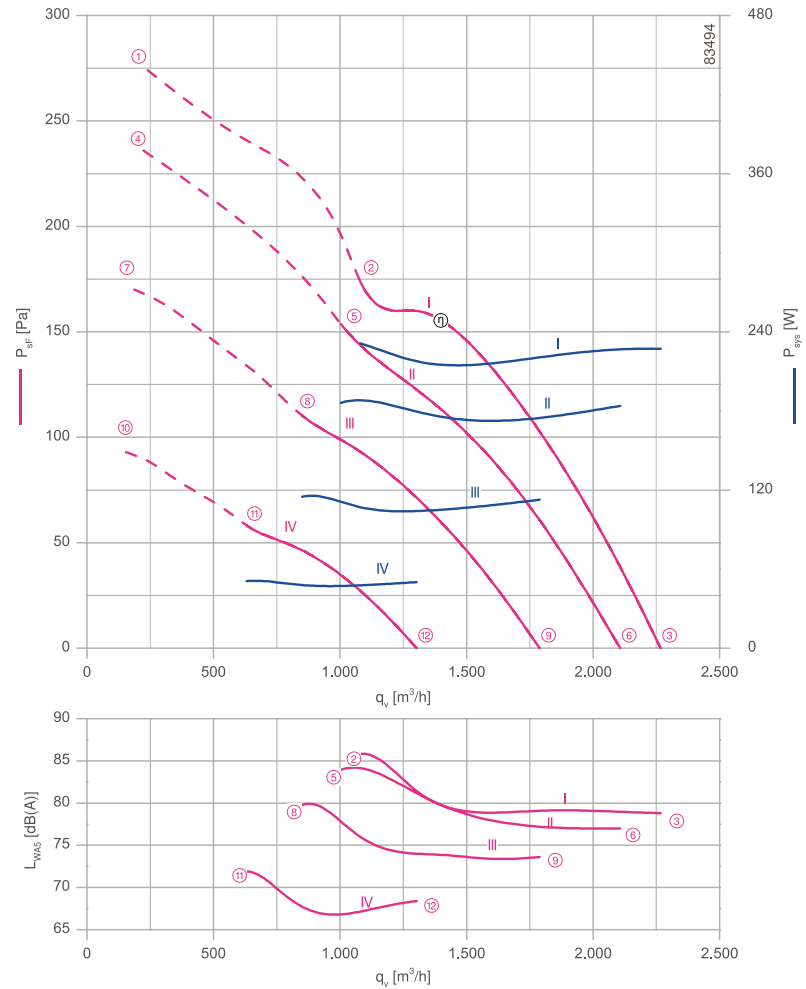




Description

Motor technology: EC
 Rated voltage U: 1~ 200-277 V*
 Rated frequency f: 50/60 Hz*
 Motor input power P_{sys} : 0.23 kW*
 Rated current I: 1.65- 1.20 A*
 Rated speed n_{max} : 3250 min⁻¹*
 Thermal class: THCL155*
 Min. permitted conveyor temperature $t_{R(min)}$: -25 °C
 Max. permitted conveyor temperature $t_{R(max)}$: 60 °C
 Electrical connection: Integrated controller with attached cable
 Number of blades: 7
 Protection class: IP44
 Motor protection: Integrated active temperature management
 Blades: High Performance Composite Material, uncoated, black
 Rotor: Steel, 1 coat paint, Ultramarine blue
 Conformity: ErP 2015, CE
ErP Data
 Efficiency η_{statA} : 31.7 %
 Efficiency: $N_{actual} = 42.2 / N_{target} = 40^{**}$
 EC controller integrated
 * Rated data
 **ErP 2015

Characteristic curve



Measured in full bell mouth without guard grille in installation type A according to ISO 5801.

➤ Connection diagram KT00036A Page 606

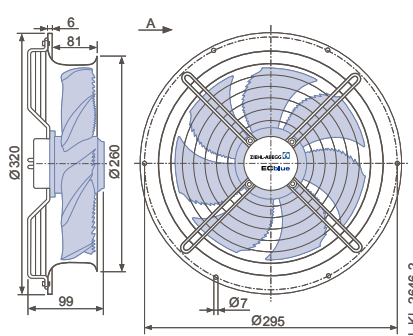
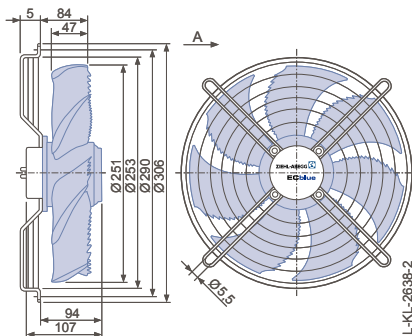
➤ System components Page 524

Dimensions [mm]

Airflow direction A

Design D - axial bolted, suspension for full bell mouth Q and L






Design L - round, full bell mouth



		%		I [A]	P _{sys} [W]	power level L _{WA5} [dB]
FN025-6I_0E_7	I	100	①	1.20	190	
		100	②	1.45	230	86
		100	③	1.45	230	79
	II	80	④	0.98	150	
		80	⑤	1.20	190	84
		80	⑥	1.20	180	77
	III	60	⑦	0.62	90	
		60	⑧	0.78	110	80
		60	⑨	0.76	110	74
	IV	40	⑩	0.31	42	
		40	⑪	0.38	50	72
		40	⑫	0.37	50	68

Current values determined at 230V

Fan ordering information

	Airflow direction A		Airflow direction V		
Design	D	L	K	H	I
					
Type	FN025-6ID.0E.A7	FN025-6IL.0E.A7	FN025-6IK.0E.V7	FN025-6IH.0E.V7	FN025-6II.0E.V7
Article no.	140030	140034	140050	140046	140042
Weight [kg]	3.00	4.00	3.40	4.00	3.00

Control technology

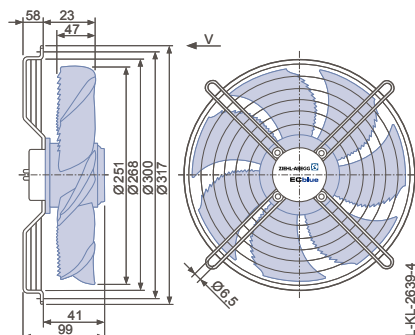
Control module



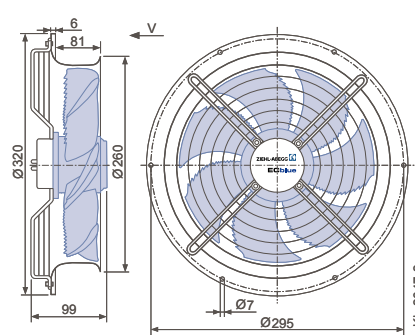
Page 544

Airflow direction V

Design K - axial bolted, mounted for short bell mouth E



Design H - pipe sockets with a flange



Design I - axial bolted, mounting for bell mouth flange for pipe socket H or full bell mouth Q or L

