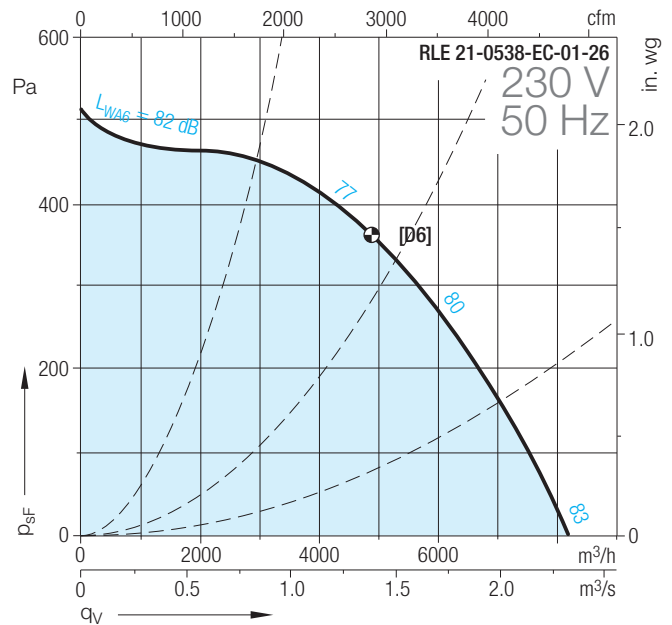
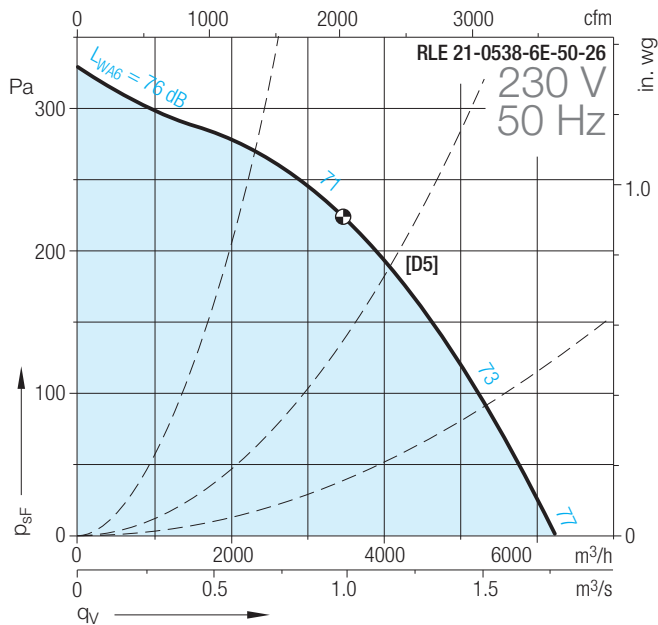
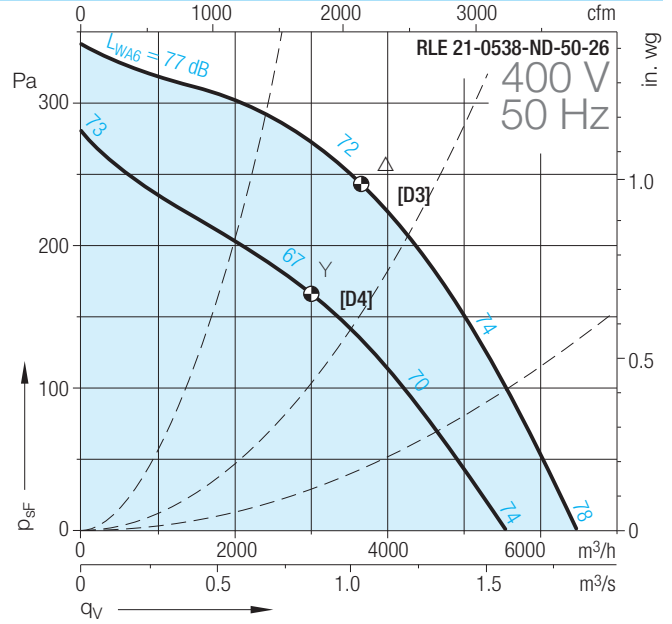
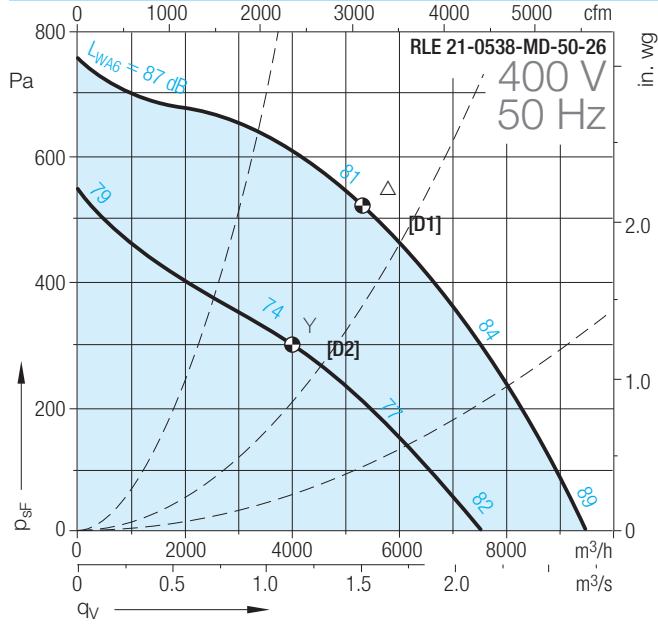


RLE 20-0538-26

Technical Data



RLE 20-0538-26

Technical Data

	Voltage	Phases	Frequency	Speed	Max. power consumption	Nominal current	Starting-/full load current (I _s /I _n)	Operating Capacitor	Motor protection class	Motor thermal class	Media Temperature max.	Impeller weight
	V		Hz	1/min	kW	A		µF			°C	kg
RLE 20-0538-MD-50-26	400	3~	50	1330/1000	1.7/1.1	3.3/1.9	3.7		IP44	F	60	32
0538-ND-50-26	400	3~	50	910/750	0.54/0.36	1.35/0.7	3		IP44	F	60	24
0538-6E-50-26	230	1~	50	870	0.56	2.7	2	16	IP44	F	60	24
0538-EC-01-26	230	1~	50/60	1140	0.9	4			IP44	F	40	32

(0) = Stepless speed controllable via tension variation

(5) = Stepless speed controllable via electrical Commutation Unit

* = No speed control available

Sound level for inlet side L_{WA5} = L_{WA6} - 3 dB.

Density of media **1.15 kg/m³**.

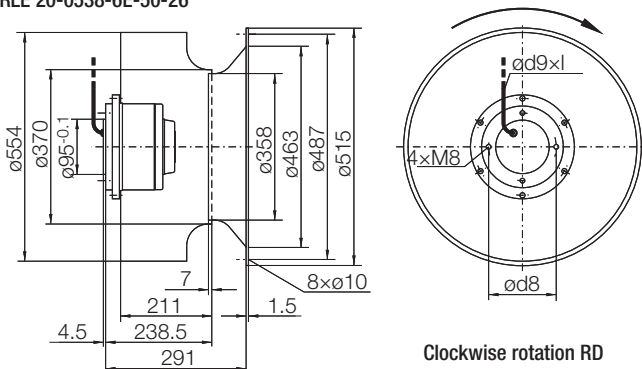
Performance curves and sound data are valid only for the motor impeller in connection with our inlet cone!

The fans must be used with the Electrical Commutation Unit EKE05.

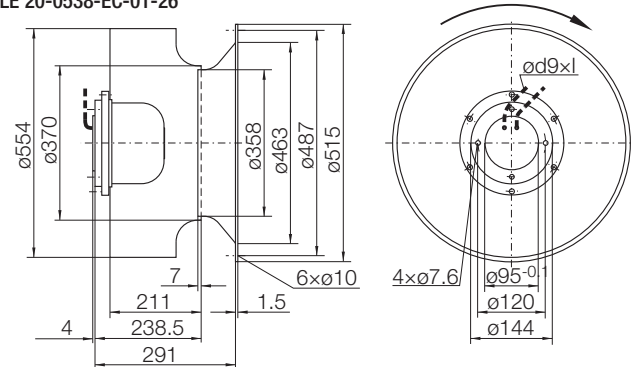
Dimensions in mm, subject to change.

RLE 20-0538-MD-50-26 / RLE 20-0538-ND-50-26

RLE 20-0538-6E-50-26



RLE 20-0538-EC-01-26



Dimensions for fan type	Mains
RLE 20- d8	ød9×l
0538-MD-50-26	ø9.6×650
0538-ND-50-26	ø9.6×650
0538-6E-50-26	ø8.4×650

Dimensions for fan type	Mains	Level sensor
RLE 20- ød9×l	ød9×l	ød9×l
0538-EC-01-26	ø7.2×800	ø6.8×800

Duty Point	Relative sound power level for discharge side L _{Wrel6}								Relative sound power level for inlet side L _{Wrel5}										
	N [1/min]	q _v	63	125	250	500	1000	2000	4000	8000	Hz	63	125	250	500	1000	2000	4000	8000
450...900	0.3 q _{vmax}	+7	+2	-3	-4	-5	-7	-12	-19		+10	+5	0	-2	-6	-10	-13	-21	
450...900	0.6 q _{vmax}	+1	-3	-3	-4	-5	-7	-13	-19		+6	+2	0	-2	-6	-10	-13	-22	
450...900	1.0 q _{vmax}	-1	-3	-4	-4	-5	-7	-12	-20		+3	+2	0	-1	-6	-11	-14	-22	
901...	0.3 q _{vmax}	+6	+2	-1	-5	-6	-7	-11	-17		+8	+6	+1	-2	-7	-11	-13	-18	
901...	0.6 q _{vmax}	-2	-3	-4	-4	-5	-7	-11	-16		+3	+3	+1	-2	-7	-10	-12	-17	
901...	1.0 q _{vmax}	-6	-4	-4	-4	-5	-7	-11	-17		-4	+1	+1	-2	-7	-9	-12	-17	



Оформить
Заказ