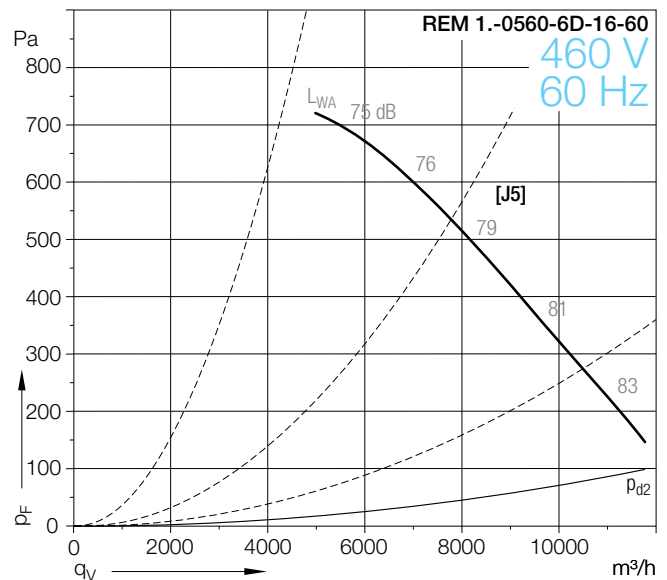
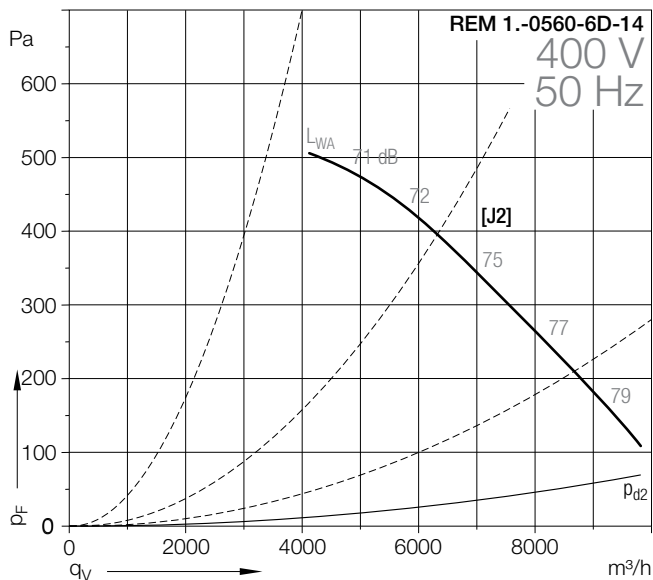
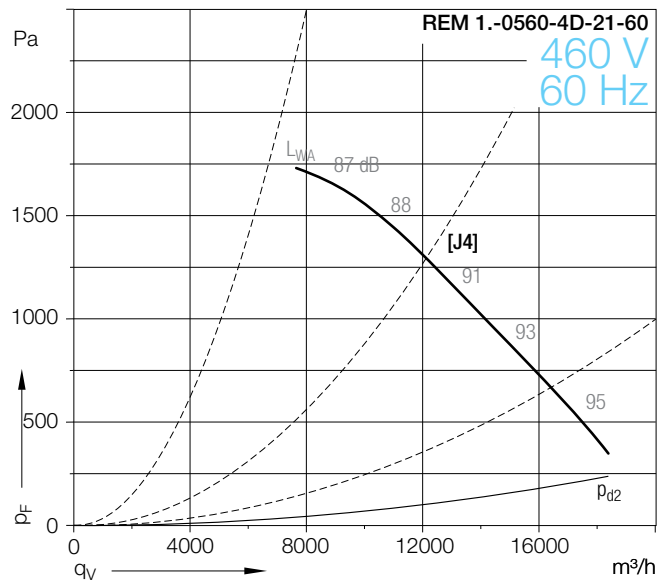
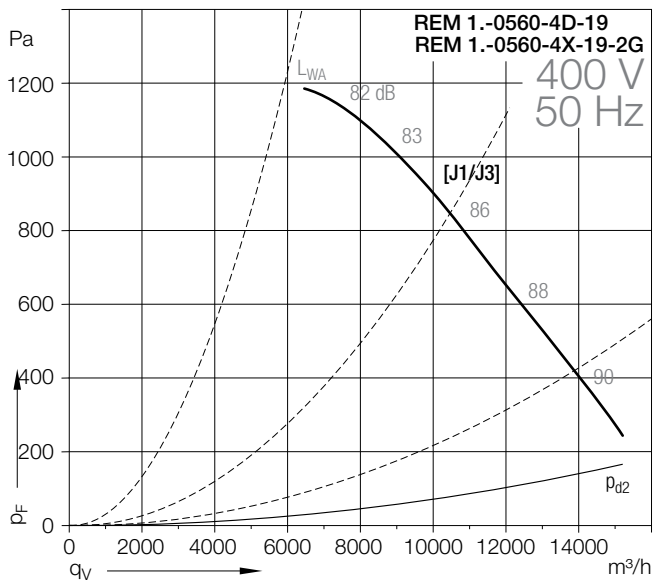
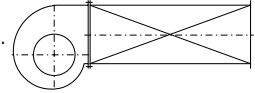


REM 11-0560
REM 13-0560

REM 18-0560
REM 19-0560

Curves

Density of media **1.2 kg/m³**.
Measured in installation **B** according to **ISO 5801** (ducted).



REM 11-0560 REM 13-0560

REM 18-0560 REM 19-0560

Technical Data

| REM | Curves | Nominal motor power kW | Poles | Motor size | Motor voltage V | Nominal frequency Hz | Connection | Nominal motor current A | Nominal motor speed 1/min | Max. media Temperature °C | Max. volume flow m³/h | Weight REM 11/13/18/19 kg |
|------------|--------|------------------------|-------|------------|-----------------|----------------------|------------|-------------------------|---------------------------|---------------------------|-----------------------|---------------------------|
| 0560-4W-19 | [J1] | 4.00 | 4 | 112 M | 400 | 50 | △ | 8.20 | 1460 | 60 | 15200 | 89/96/135/142 |
| 0560-6W-14 | [J2] | 1.10 | 6 | 90 L | 230/400 | 50 | △/Y | 5.00/2.90 | 940 | 60 | 9840 | 68/75/114/121 |

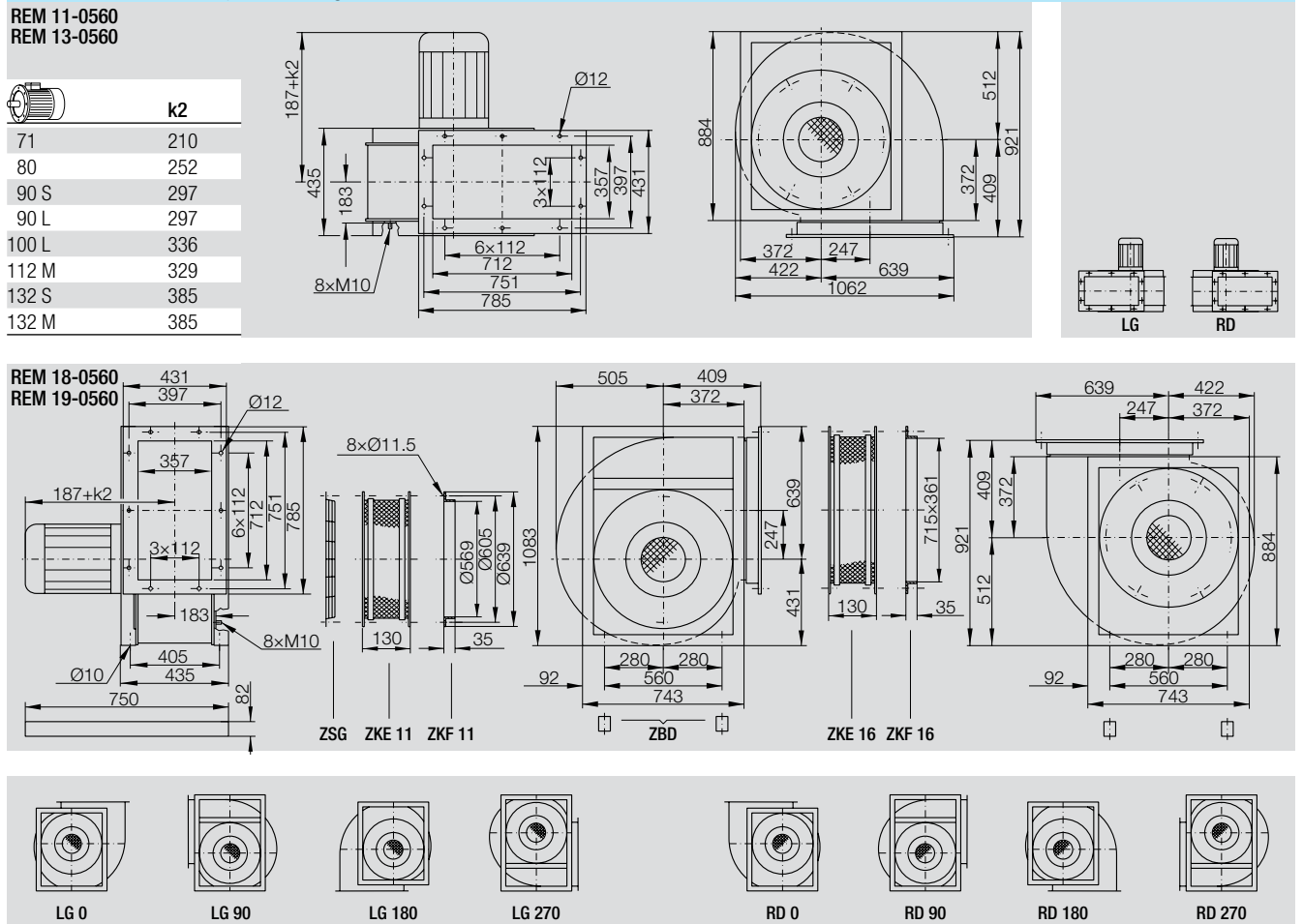
| REM | Curves | Nominal motor power kW | Poles | Motor size | Motor voltage V | Nominal frequency Hz | Connection | Nominal motor current A | Nominal motor speed 1/min | Max. media Temperature °C | Max. volume flow m³/h | Weight REM 11/13/18/19 kg |
|---------------|--------|------------------------|-------|------------|-----------------|----------------------|------------|-------------------------|---------------------------|---------------------------|-----------------------|---------------------------|
| 0560-4X-19-2G | [J3] | 3.60 | 4 | 112 M | 230/400 | 50 | △/Y | 13.00/7.50 | 1435 | 60 | 15640 | 91/98/137/144 |

| REM | Curves | Nominal motor power kW | Poles | Motor size | Motor voltage V | Nominal frequency Hz | Connection | Nominal motor current A | Nominal motor speed 1/min | Max. media Temperature °C | Max. volume flow m³/h | Weight REM 11/13/18/19 kg |
|---------------|--------|------------------------|-------|------------|-----------------|----------------------|------------|-------------------------|---------------------------|---------------------------|-----------------------|---------------------------|
| 0560-4W-21-60 | [J4] | 6.30 | 4 | 132 S | 460 | 60 | △ | 11.00 | 1765 | 60 | 18350 | 102/109/148/155 |
| 0560-6W-16-60 | [J5] | 1.75 | 6 | 100 L | 460 | 60 | Y | 3.50 | 1170 | 60 | 11770 | 74/81/120/127 |

Motor protection can take place through motor protection units with bi-metallic releases (EUM 33) or via a thermistor (NTC) temperature sensor in connection with a thermistor (NTC)-release device (EUM 03). See chapter "Accessories".

The direction of rotation is determined looking from the drive side. Anti-clockwise rotation, symbol **LG**. Clockwise rotation, symbol **RD**.

Dimensions in mm, subject to change.



Оформить
Заказ