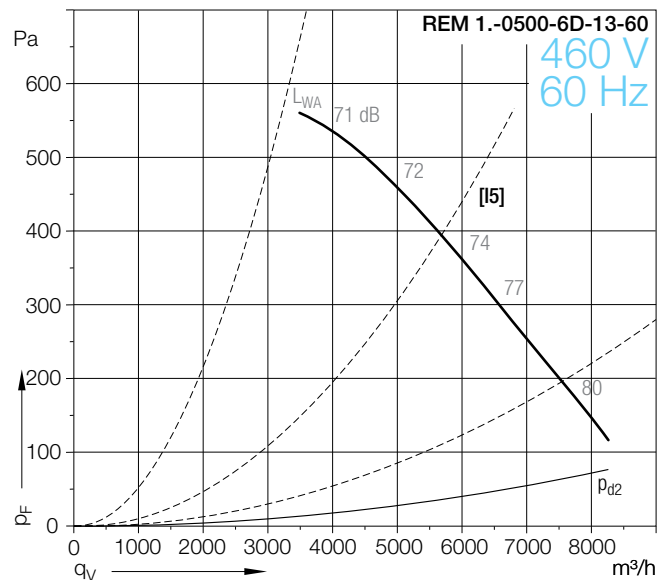
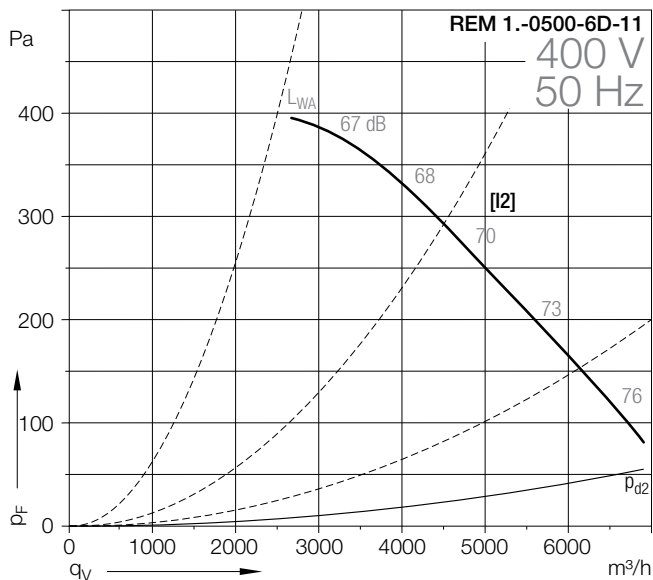
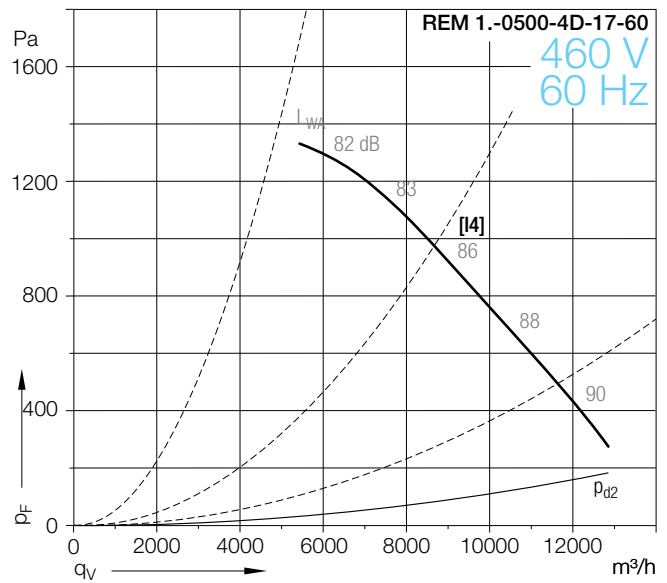
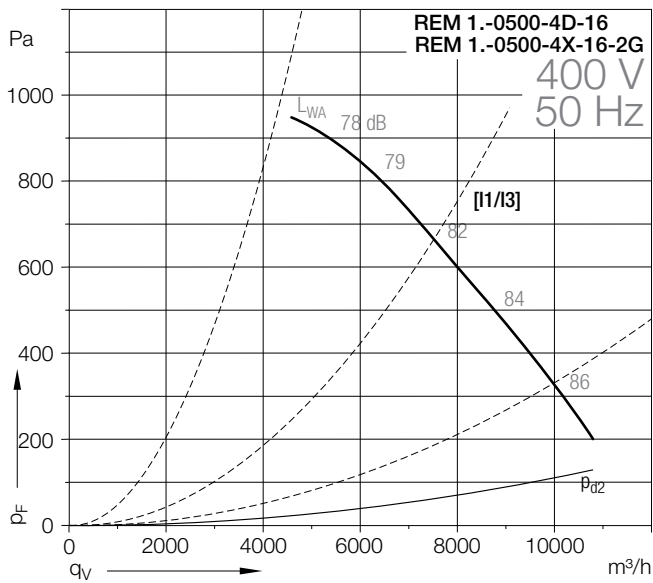
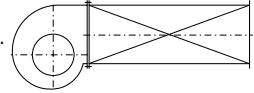


REM 11-0500
REM 13-0500

REM 18-0500
REM 19-0500

Curves

Density of media **1.2 kg/m³**.
Measured in installation **B** according to **ISO 5801** (ducted).



REM 11-0500 REM 13-0500

REM 18-0500 REM 19-0500

Technical Data

REM	Curves	Nominal motor power kW	Poles	Motor size	Motor voltage V	Nominal frequency Hz	Connection	Nominal motor current A	Nominal motor speed 1/min	Max. media Temperature °C	Max. volume flow m³/h	Weight REM 11/13/18/19 kg
11-/13-/18-/19-												
0500-4W-16	[1]	2.20	4	100 L	230/400	50	Δ/Y	8.05/4.65	1455	60	10825	59/65/97/103
0500-6D-11	[2]	0.55	6	80	230/400	50	Δ/Y	2.80/1.60	910	60	7120	46/52/84/90

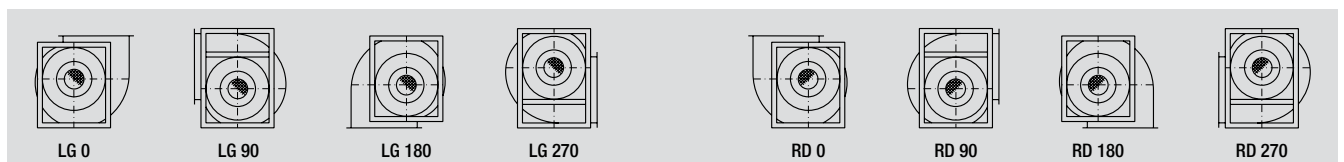
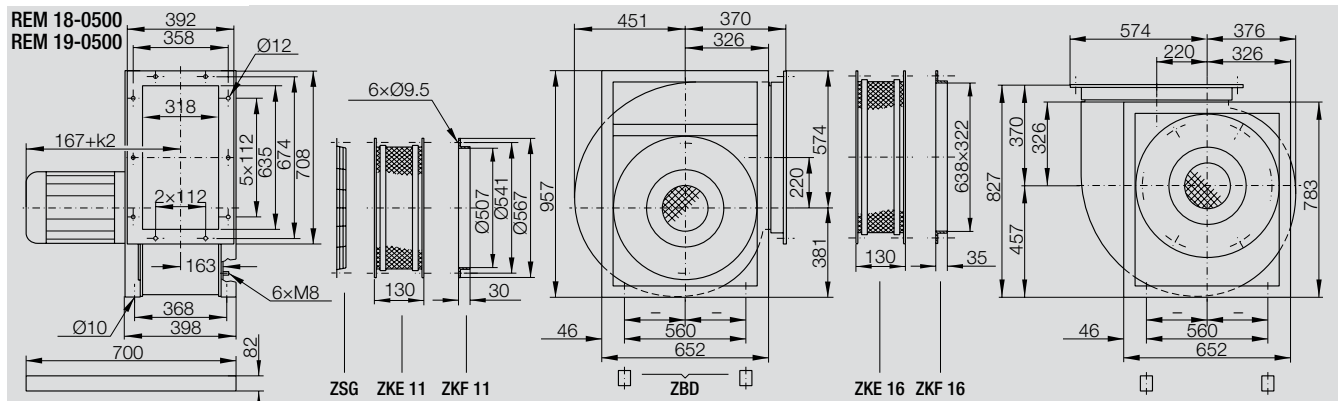
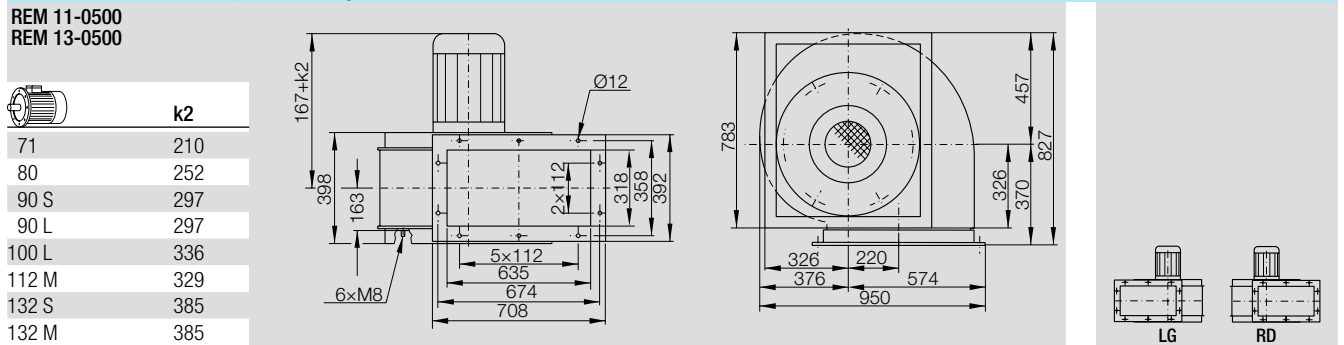
REM	Curves	Nominal motor power kW	Poles	Motor size	Motor voltage V	Nominal frequency Hz	Connection	Nominal motor current A	Nominal motor speed 1/min	Max. media Temperature °C	Max. volume flow m³/h	Weight REM 11/13/18/19 kg
11-/13-/18-/19-												
0500-4X-16-2G	[3]	2.00	4	100 L	230/400	50	Δ/Y	7.80/4.50	1420	60	11160	68/74/106/112

REM	Curves	Nominal motor power kW	Poles	Motor size	Motor voltage V	Nominal frequency Hz	Connection	Nominal motor current A	Nominal motor speed 1/min	Max. media Temperature °C	Max. volume flow m³/h	Weight REM 11/13/18/19 kg
11-/13-/18-/19-												
0500-4W-17-60	[4]	3.45	4	100 L	460	60	Y	6.00	1755	60	12855	63/69/101/107
0500-6W-13-60	[5]	0.86	6	90 S	460	60	Y	2.05	1130	60	8290	52/58/90/96

Motor protection can take place through motor protection units with bi-metallic releases (EUM 33) or via a thermistor (NTC) temperature sensor in connection with a thermistor (NTC)-release device (EUM 03). See chapter "Accessories".

The direction of rotation is determined looking from the drive side. Anti-clockwise rotation, symbol **LG**. Clockwise rotation, symbol **RD**.

Dimensions in mm, subject to change.



Оформить
Заказ