

Performance certified is for installation type B - free inlet, ducted outlet.  
Power rating (kW) does not include transmission losses.  
Performance ratings do not include the effects of appurtenances (accessories).

**Technical Data**

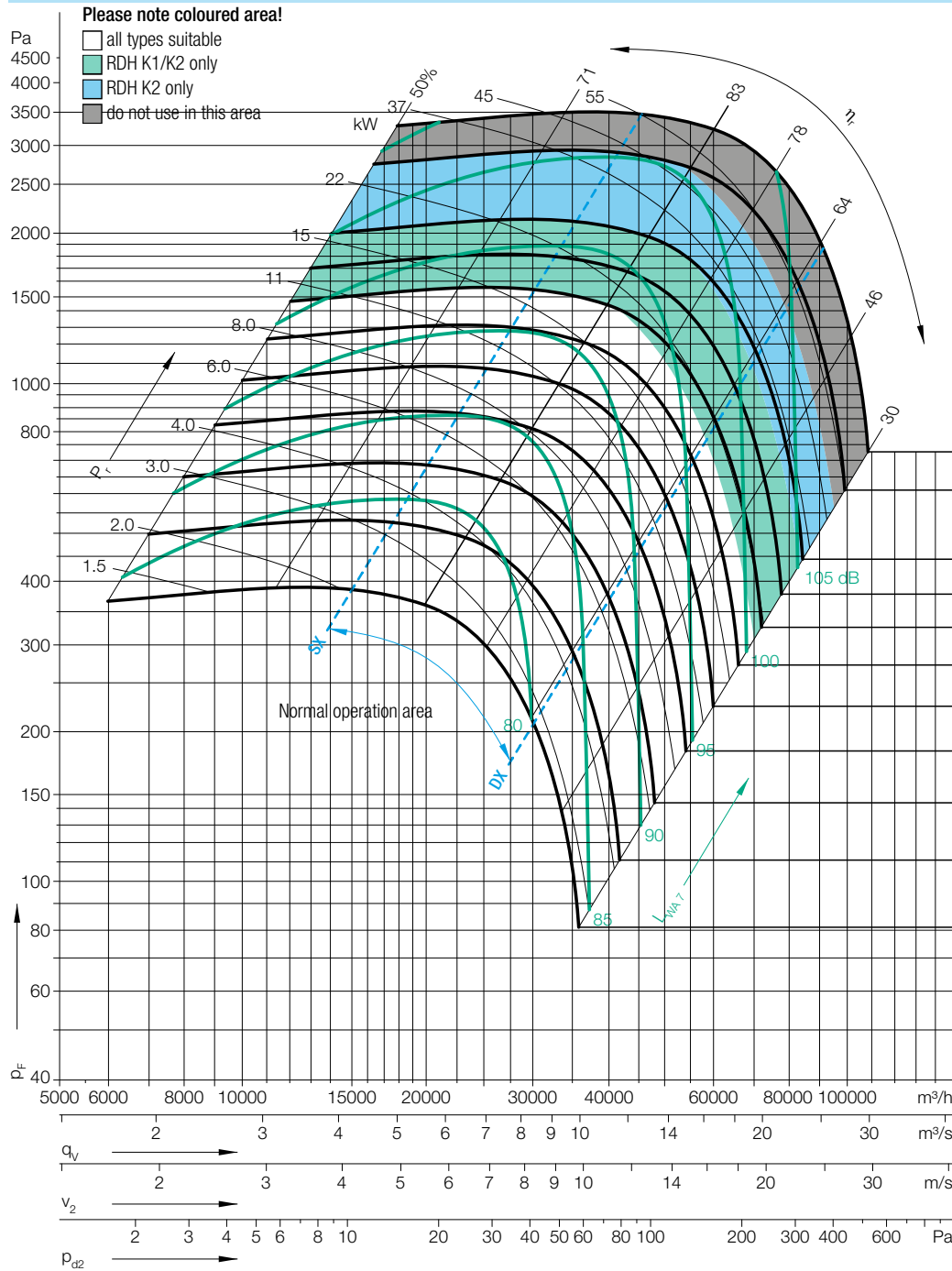
**Impeller Data**

Impeller diameter	$D_r$	802 mm
Number of blades	$z$	11
Moment of Inertia	$J$	8,250 kgm <sup>2</sup>

**Impeller Data**

Impeller weight	$m$	86 kg
Density of media	$\rho_1$	1,2 kg/m <sup>3</sup>
Tolerance class (DIN 24166)		1

**Performance Curves**



**Nicotra Gebhardt S.p.A** certifies that the fan shown herein is licensed to bear the AMCA Seal.

The ratings shown are based on tests and procedures performed in accordance with AMCA Publication 211 and comply with the requirements of the AMCA Certified Ratings Program. The AMCA Certified Ratings Seal applies to air performance ratings only.

1/min	W	W	W
1800	90	304	105
1650	83	279	97
1400	70	237	82
1300	65	220	76
1200	60	203	70
1100	55	186	64
1000	50	169	58
900	45	152	53
800	40	135	47
700	35	118	41
600	30	101	35

Measured in installation B according to ISO 5801:

Duty point	Speed 1/min	dB
SX	1400	3
SX	1100	3
SX	700	3
$Q_{V,opt}$	1400	3
$Q_{V,opt}$	1100	3
$Q_{V,opt}$	700	3
DX	1400	3
DX	1100	3
DX	700	3

Relative sound power level for inlet side  $L_{Wrel4}(A)$  at octave centre frequencies  $f_c$

63	125	250	500	1000	2000	4000	8000	Hz
4	3	3	-2	-8	-10	-16	-19	dB
5	3	4	-4	-8	-10	-16	-19	dB
7	8	2	-4	-6	-12	-15	-20	dB
0	0	4	-3	-7	-9	-15	-20	dB
1	0	4	-3	-7	-10	-16	-20	dB
4	8	1	-3	-6	-12	-16	-20	dB
2	0	4	-3	-7	-9	-17	-23	dB
2	0	5	-4	-7	-10	-18	-23	dB
4	8	1	-3	-5	-12	-18	-23	dB

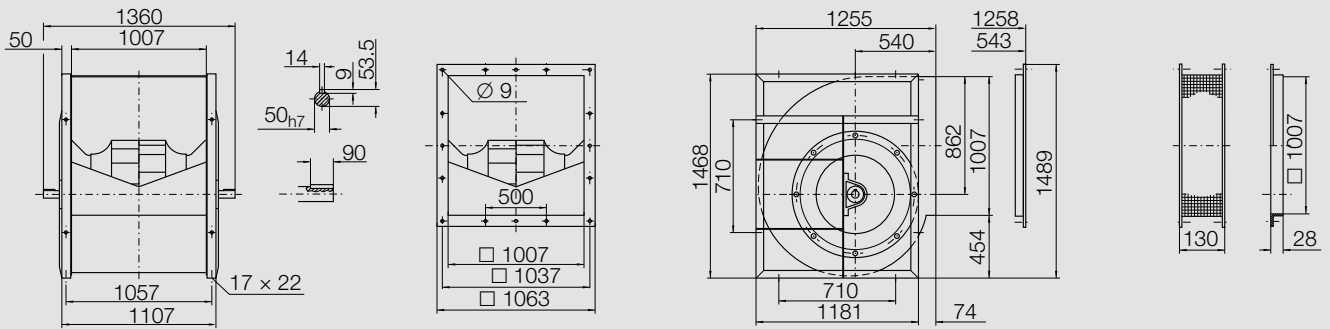
Relative sound power level for discharge side  $L_{Wrel4}$  at octave centre frequencies  $f_c$

63	125	250	500	1000	2000	4000	8000	Hz
12	8	4	1	-3	-8	-15	-19	dB
12	6	5	1	-3	-8	-15	-20	dB
12	8	5	1	-3	-11	-15	-19	dB
8	6	3	0	-2	-7	-14	-19	dB
8	3	4	1	-2	-9	-15	-21	dB
9	7	4	2	-3	-10	-15	-20	dB
11	7	5	0	-2	-7	-14	-21	dB
10	4	6	1	-3	-8	-16	-22	dB
11	9	4	2	-3	-10	-17	-23	dB

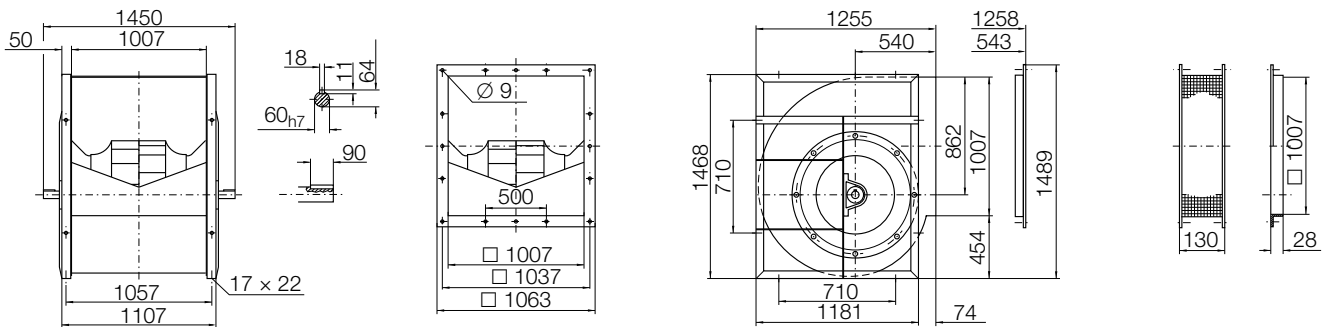
# RDH \_-0800

**Dimensions** in mm, subject to change.

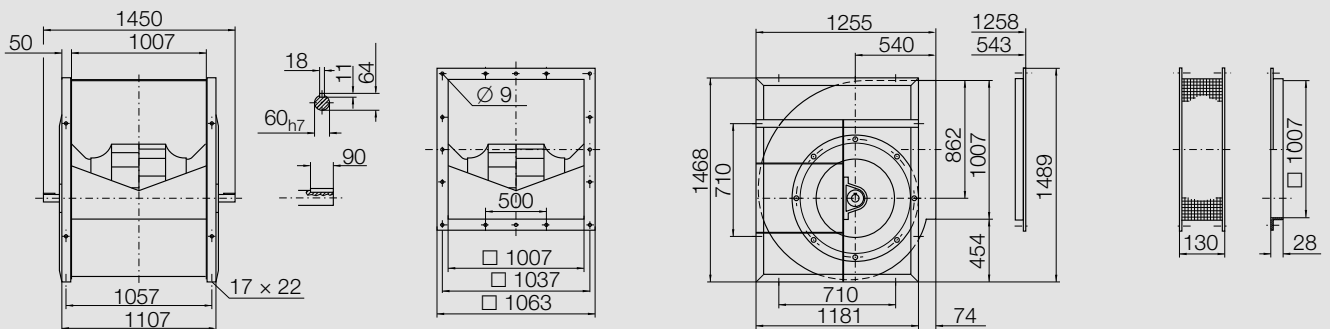
**RDH K-0800** 270 kg



**RDH K1-0800** 297 kg



**RDH K2-0800** 305 kg



Оформить  
Заказ