

DDM 120/126

7725F9 1F 2P 2V

Technical Data

DDM 120/126 7725F9	Speed control	Curves	Nominal motor power W	Poles	Phases	Connection	Mains frequency Hz	Max. power consumption W	Max. current consumption A	Speed 1/min
1F 2P 2V	*	[A1/A2]	45	2	1~		50/60	113	0.5	2400

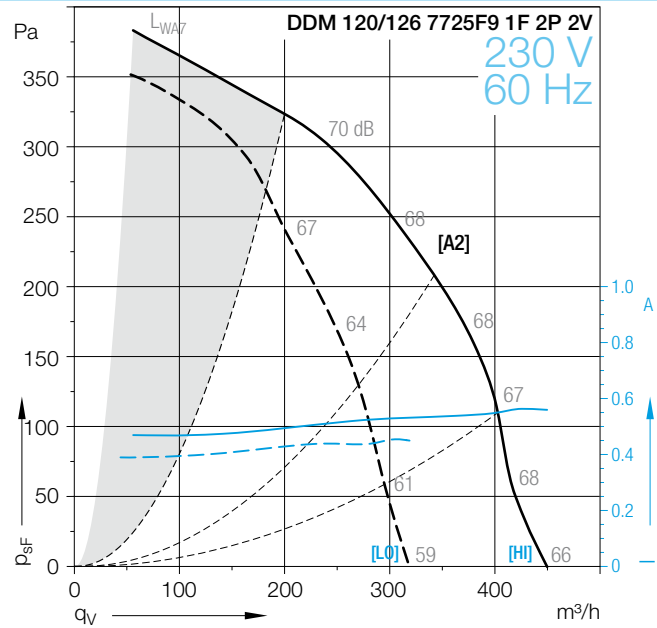
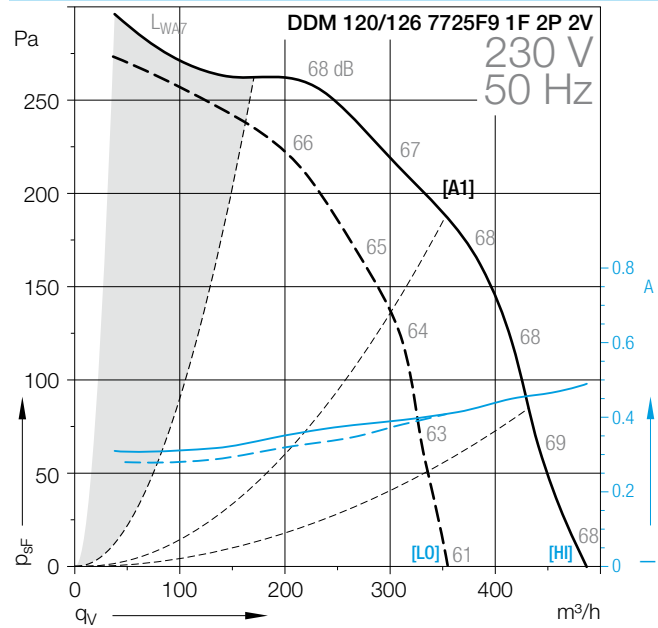
Technical Data

DDM 120/126 7725F9	Operating Capacitor μF	Nominal capacitor voltage V	Motor protection class	Motor thermal class	Thermal protection	Media Temperature max. $^{\circ}\text{C}$	Fan weight kg	Density of media kg/m^3	Installation type (ISO 5801)	Article number
1F 2P 2V	3.15	450	IP32	B	EXT	40	5	1.2	B	6M02010

(1) = Speed controllable via Transformer
 (2) = Speed controllable via TRIAC or Transformer
 (3) = Speed controllable via Inverter
 * = No speed control available
 [HI] High speed, [ME] Medium speed, [LO] Low speed

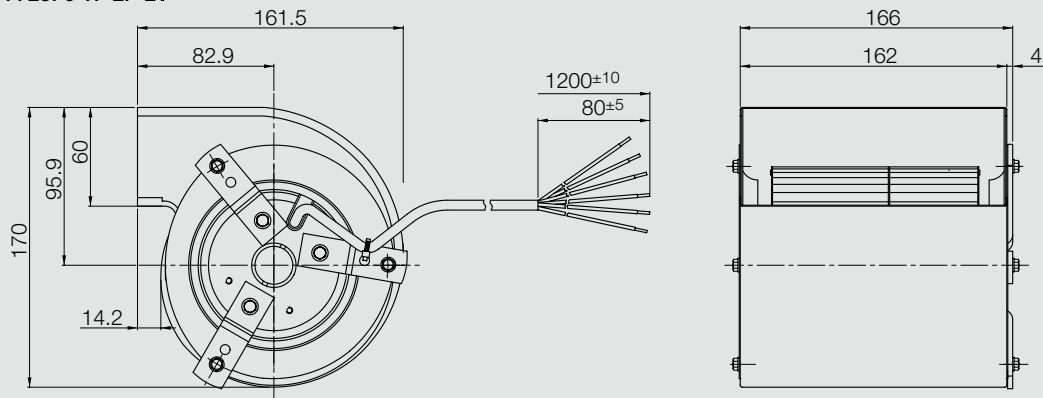
Attention! We suggest to do not use the fan in the grey marked area! The noise ratings given in the performance curves are sound power level L_{WA7} , see „Technical Description“.

Curves



Dimensions in mm, Subject to change.

DDM 120/127 7725F9 1F 2P 2V



Оформить
Заказ