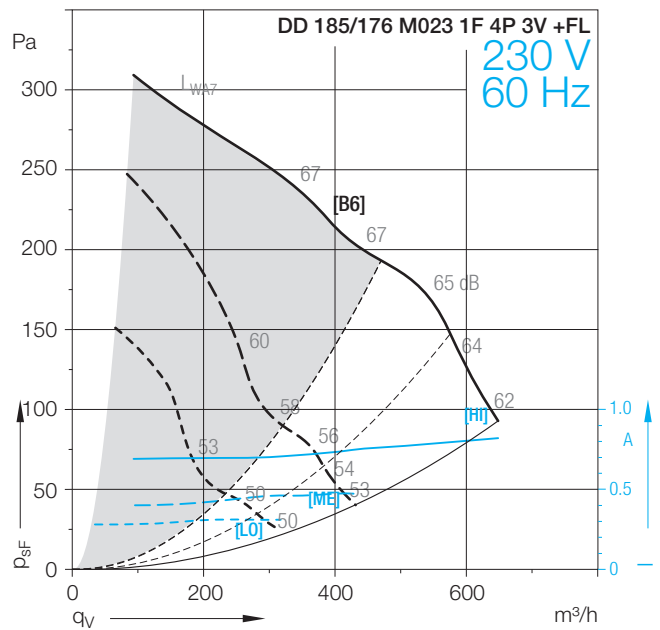
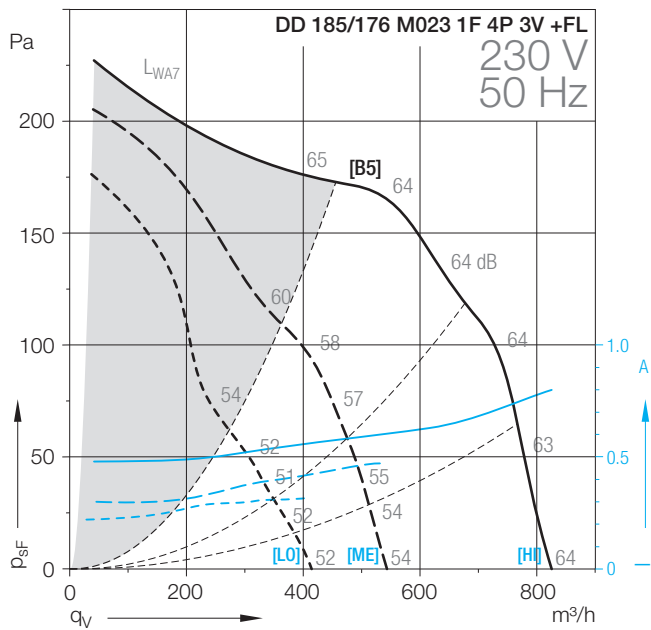
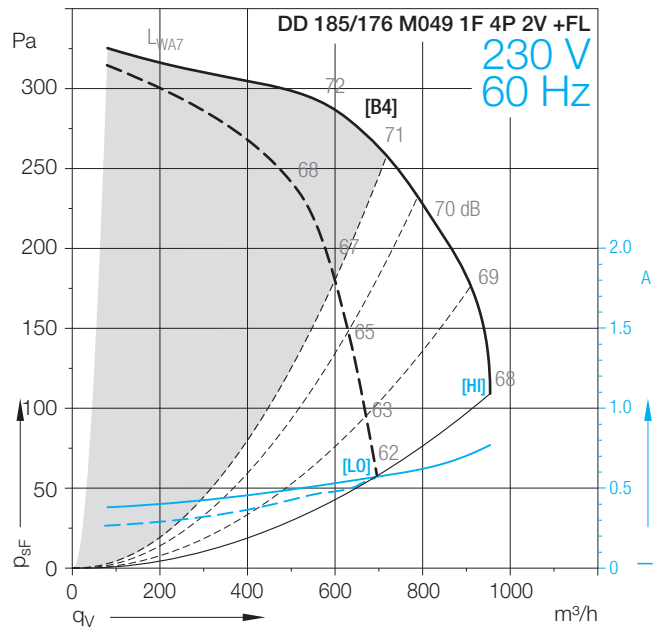
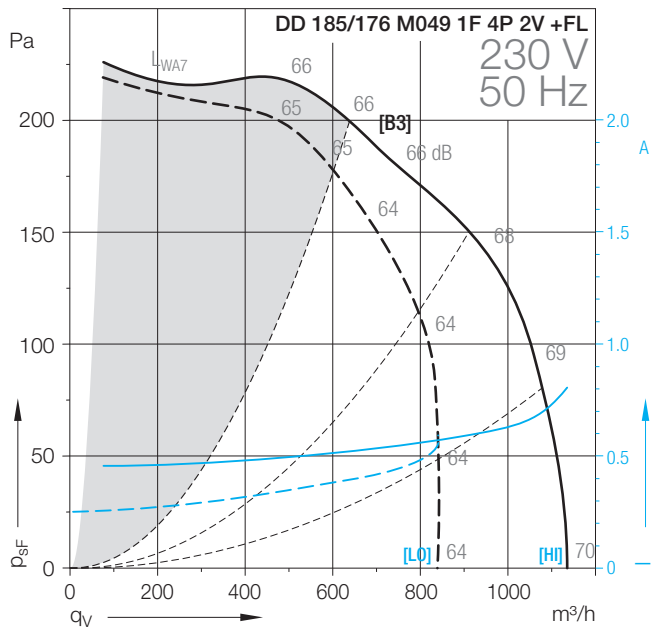
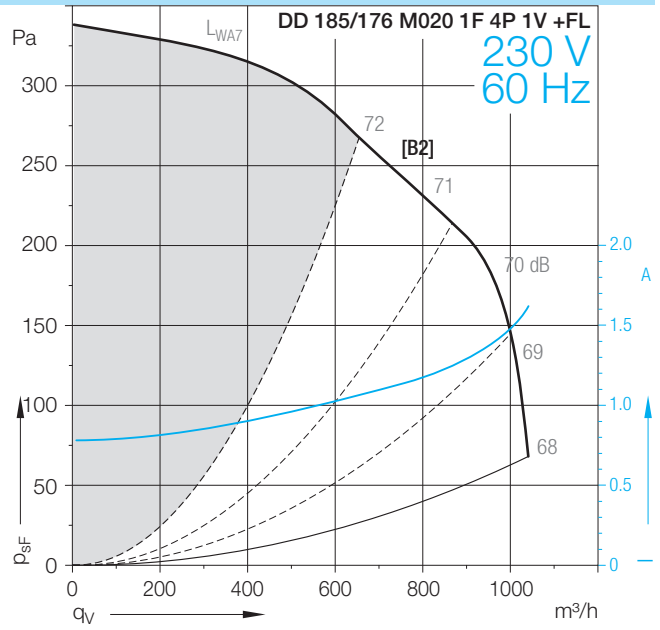
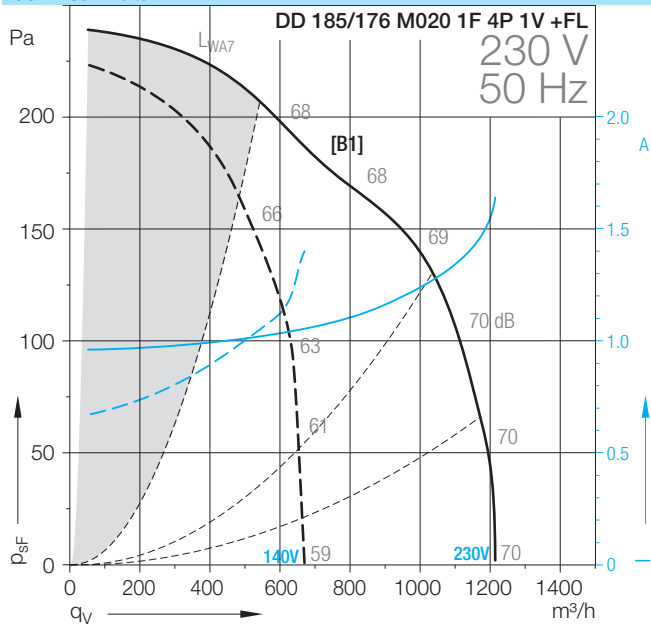


DD-185/176

Technical Data



DD-185/176

Technical Data

	Speed control	Curves	Nominal motor power W	Poles	Phases	Connection	Mains frequency Hz	Max. power consumption W	Max. current consumption A	Speed 1/min
DD 185/176										
M020 1F 4P 1V +FL	(2)	[B1/B2]	92	4	1~		50/60	369	1.6	1280
M049 1F 4P 2V +FL	*	[B3/B4]	105	4	1~		50/60	355	1.5	1300
M023 1F 4P 3V +FL	*	[B5/B6]	45	4	1~		50/60	186	0.7	1370

Technical Data

	Operating Capacitor μF	Nominal capacitor voltage V	Motor protection class	Motor thermal class	Thermal protection	Media Temperature max. °C	Fan weight kg	Density of media kg/m³	Installation type (ISO 5801)	Article number
DD 185/176										
M020 1F 4P 1V +FL	4	450	IP20	B	INT	60	5	1.2	B	6109Y8
M049 1F 4P 2V +FL	4	450	IP32	B	EXT	40	5	1.2	B	610974
M023 1F 4P 3V +FL	4	450	IP32	B	INT	50	6	1.2	B	610937

(1) = Speed controllable via Transformer

(2) = Speed controllable via TRIAC or Transformer

(3) = Speed controllable via Inverter

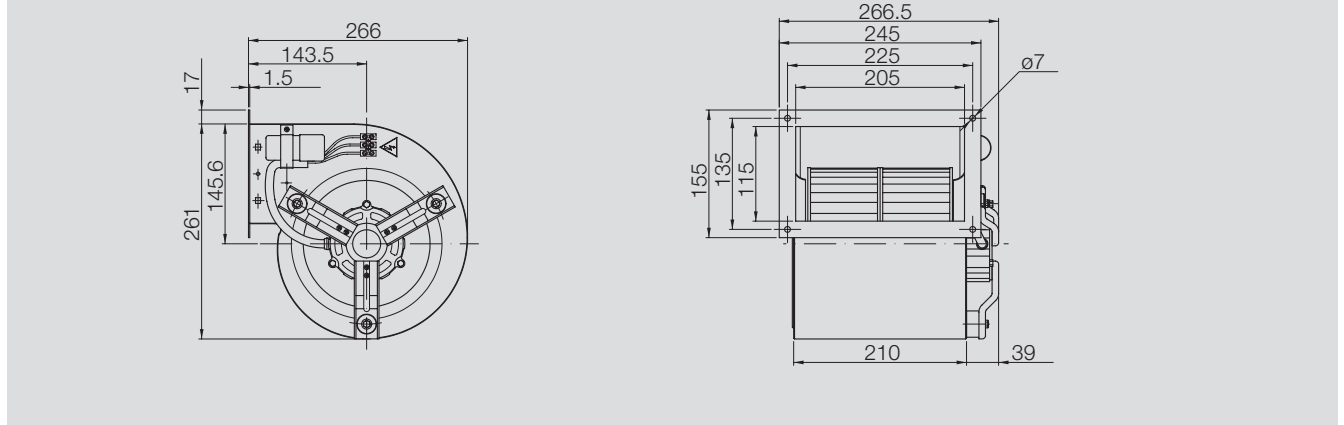
* = No speed control available

[HI] High speed, [ME] Medium speed, [LO] Low speed

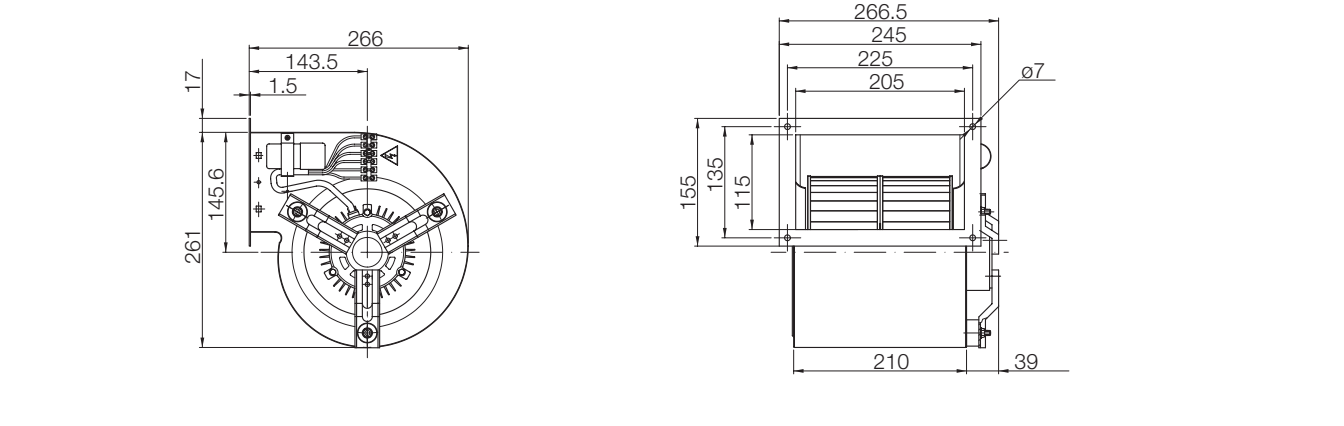
Attention! We suggest to do not use the fan in the grey marked area! The noise ratings given in the performance curves are sound power level L_{WA7} , see „Technical Description“.

Dimensions in mm, subject to change.

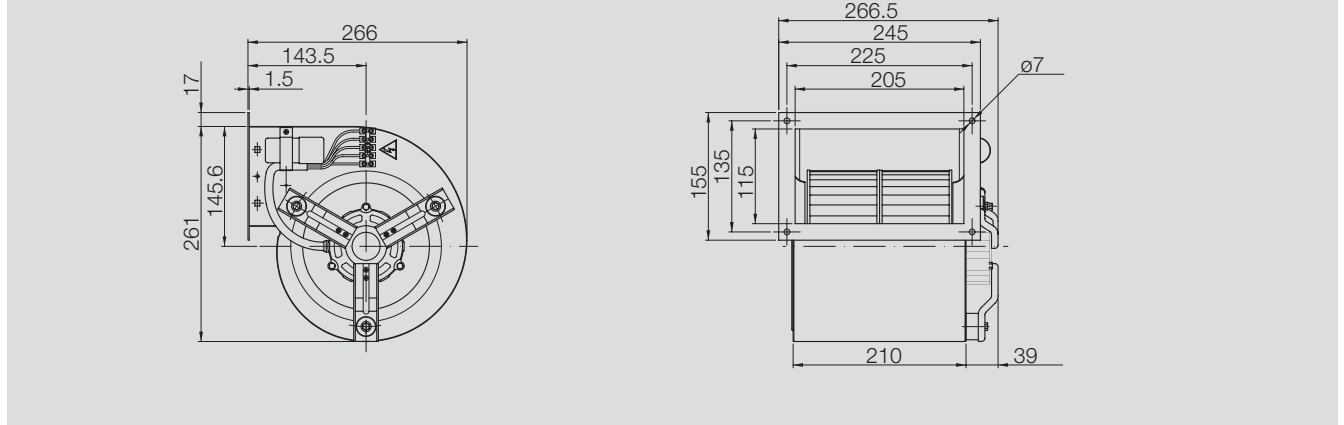
DD 185/176 M020 1F 4P 1V +FL



DD 185/176 M049 1F 4P 2V +FL



DD 185/176 M023 1F 4P 3V +FL



Оформить
Заказ