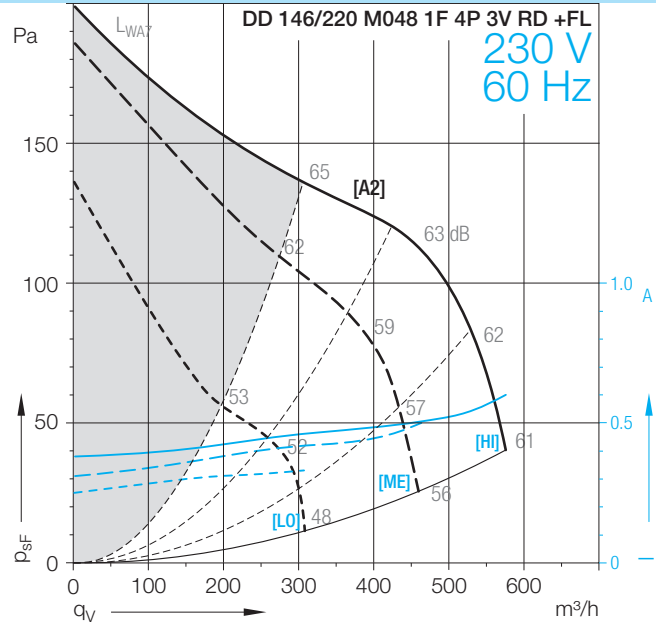
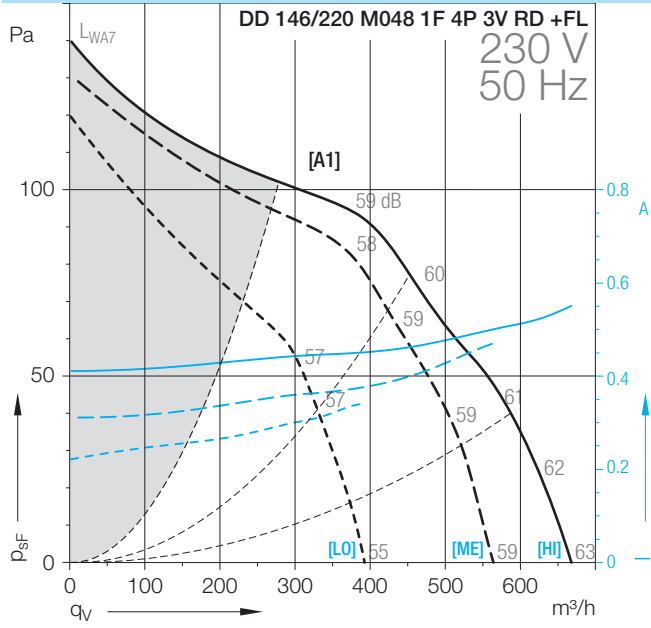


DD-146/220

Technical Data



Оформить
Заказ

DD-146/220

Technical Data										
	Speed control	Curves	Nominal motor power	Poles	Phases	Connection	Mains frequency	Max. power consumption	Max. current consumption	Speed
			W	-			Hz	W	A	1/min
DD 146/220										
M048 1F 4P 3V RD +FL	*	[A1/A2]	40	4	1~		50/60	123	0.5	1280

Technical Data										
	Operating Capacitor	Nominal capacitor voltage	Motor protection class	Motor thermal class	Thermal protection	Media Temperature max.	Fan weight	Density of media	Installation type (ISO 5801)	Article number
	µF	V				°C	kg	kg/m³		
DD 146/220										
M048 1F 4P 3V RD +FL	2	450	IP32	B	INT	70	6	1.2	B	61090R

(1) = Speed controllable via Transformer

(2) = Speed controllable via TRIAC or Transformer

(3) = Speed controllable via Inverter

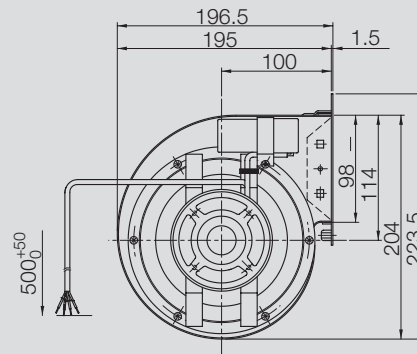
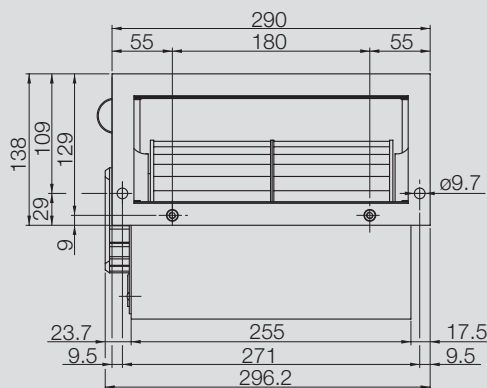
* = No speed control available

[HI] High speed, [ME] Medium speed, [LO] Low speed

Attention! We suggest to do not use the fan in the grey marked area! The noise ratings given in the performance curves are sound power level L_{WA7} , see „Technical Description“.

Dimensions in mm, subject to change.

DD 146/220 M048 1F 4P 3V RD +FL



Оформить
Заказ