

ADH E_-0160

Performance certified is for installation type B - free inlet, ducted outlet.
 Power rating (kW) does not include transmission losses.
 Performance ratings do not include the effects of appurtenances (accessories).

Technical Data

Impeller Data

| | | |
|-------------------|-------|------------------------|
| Impeller diameter | D_r | 160 mm |
| Number of blades | z | 36 |
| Moment of Inertia | J | 0.006 kgm ² |

Impeller Data

| | | |
|-----------------------------|----------|-----------------------|
| Impeller weight | m | 1.1 kg |
| Density of media | ρ_1 | 1.2 kg/m ³ |
| Tolerance class (DIN 24166) | | 2 |

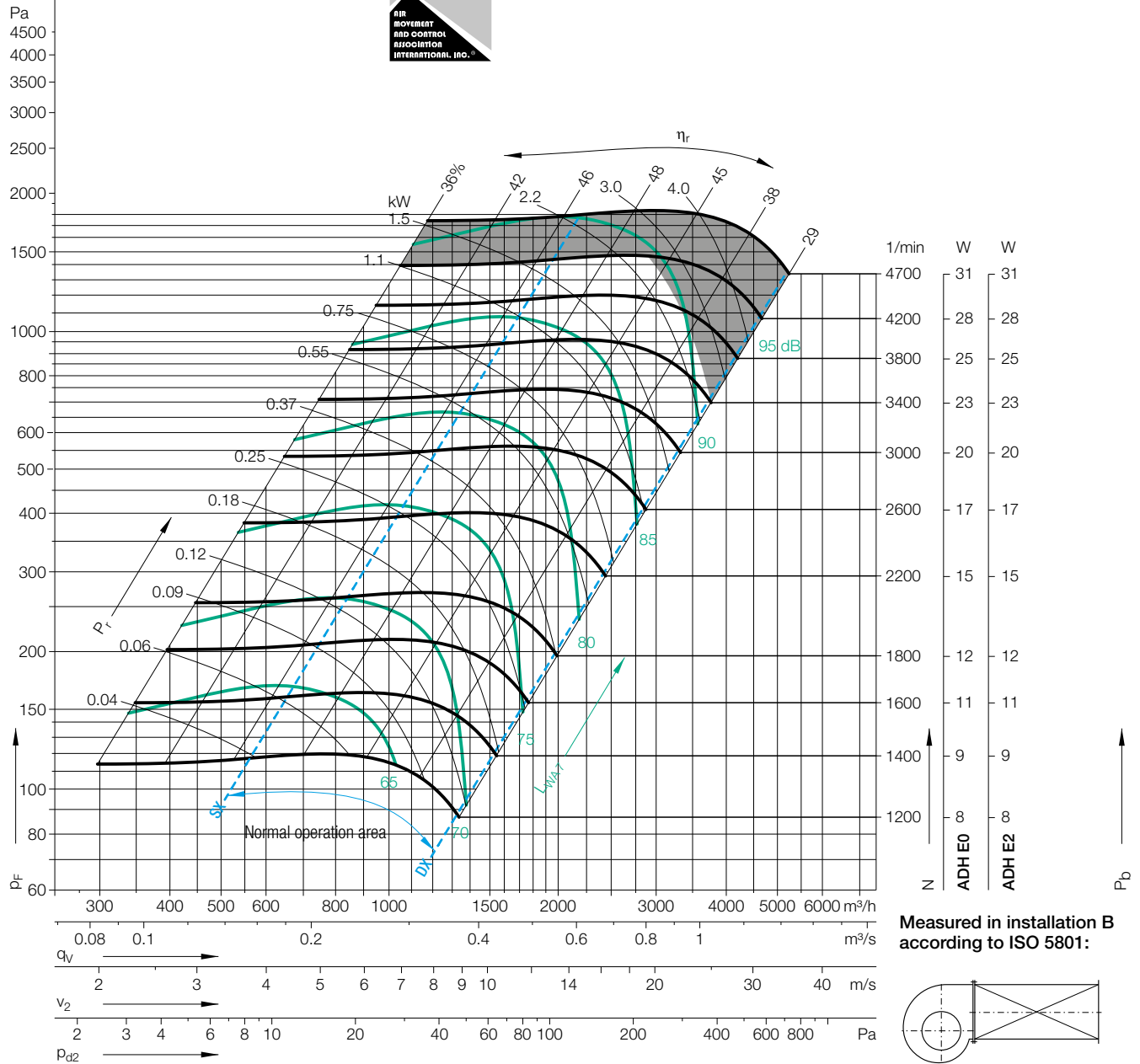
Performance Curves

Please note coloured area!

- all types suitable
- do not use in this area



Nicotra Gebhardt S.p.A certifies that the fan shown herein is licensed to bear the AMCA Seal. The ratings shown are based on tests and procedures performed in accordance with AMCA Publication 211 and comply with the requirements of the AMCA Certified Ratings Program. The AMCA Certified Ratings Seal applies to air performance ratings only.



Measured in installation B according to ISO 5801:

| Duty point | Speed 1/min | $\Delta L_{Wrel4}(A)$ dB |
|-------------|-------------|--------------------------|
| SX | 3500 | 2 |
| SX | 2200 | 1 |
| SX | 1400 | -1 |
| $Q_{V,opt}$ | 3500 | 2 |
| $Q_{V,opt}$ | 2200 | 0 |
| $Q_{V,opt}$ | 1400 | -1 |
| DX | 3500 | 2 |
| DX | 2200 | 1 |
| DX | 1400 | 0 |

Relative sound power level for inlet side L_{Wrel4} at octave centre frequencies f_c

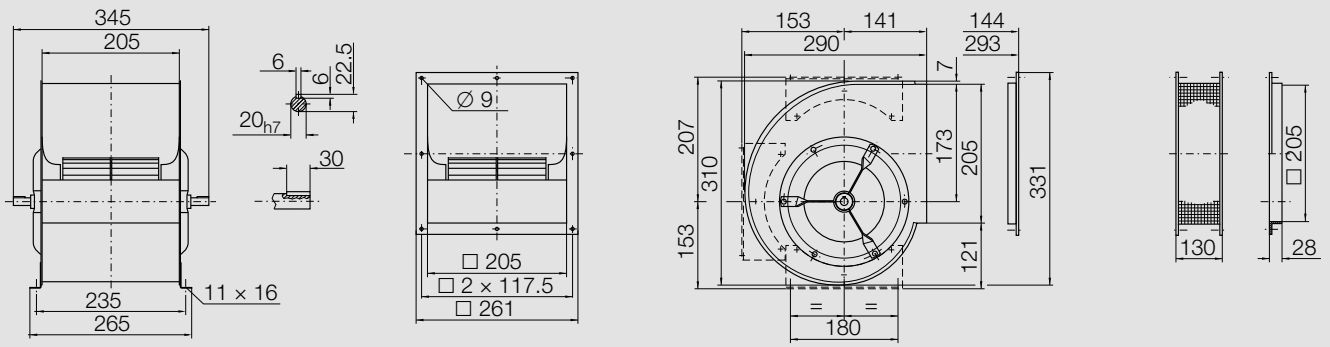
| 63 | 125 | 250 | 500 | 1000 | 2000 | 4000 | 8000 | Hz |
|-----|-----|-----|-----|------|------|------|------|----|
| 0 | -9 | -3 | -5 | -7 | -7 | -8 | -11 | dB |
| -5 | -4 | -3 | -11 | -4 | -6 | -9 | -14 | dB |
| -5 | -1 | -5 | -4 | -5 | -6 | -11 | -17 | dB |
| -4 | -10 | -4 | -5 | -7 | -6 | -7 | -12 | dB |
| -8 | -5 | -3 | -11 | -5 | -6 | -8 | -13 | dB |
| -7 | -2 | -6 | -5 | -5 | -6 | -11 | -16 | dB |
| -10 | -15 | -6 | -7 | -10 | -6 | -7 | -7 | dB |
| -14 | -8 | -6 | -13 | -7 | -6 | -6 | -9 | dB |
| -11 | -5 | -8 | -8 | -6 | -6 | -7 | -11 | dB |

Relative sound power level for discharge side L_{Wrel4} at octave centre frequencies f_c

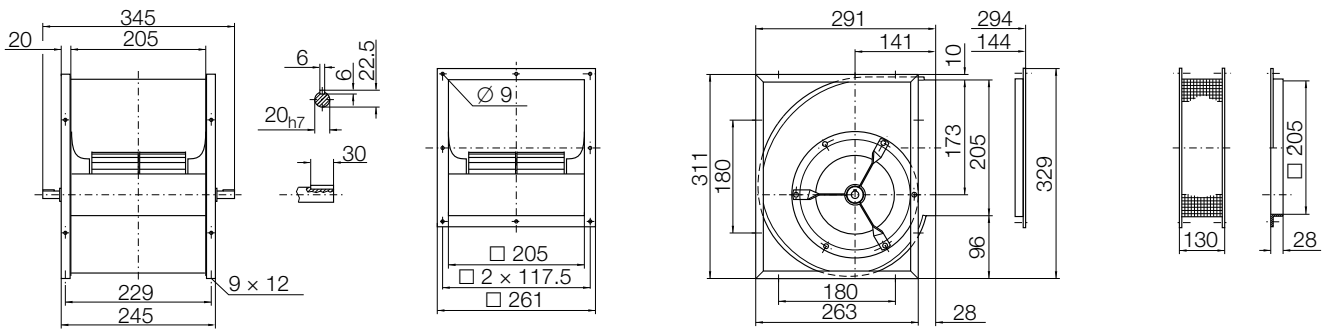
| 63 | 125 | 250 | 500 | 1000 | 2000 | 4000 | 8000 | Hz |
|----|-----|-----|-----|------|------|------|------|----|
| 9 | 8 | 6 | -3 | -5 | -8 | -10 | -13 | dB |
| 9 | 8 | 1 | -4 | -6 | -9 | -11 | -16 | dB |
| 10 | 5 | -1 | -4 | -7 | -9 | -13 | -19 | dB |
| 8 | 6 | 4 | -3 | -5 | -8 | -10 | -12 | dB |
| 7 | 6 | -0 | -4 | -6 | -9 | -10 | -15 | dB |
| 7 | 4 | -2 | -4 | -7 | -9 | -12 | -18 | dB |
| -2 | 2 | 4 | -4 | -6 | -6 | -8 | -8 | dB |
| 0 | 5 | -3 | -5 | -5 | -8 | -8 | -11 | dB |
| 5 | 1 | -4 | -6 | -6 | -8 | -9 | -13 | dB |

ADH E_-0160

Dimensions in mm, subject to change.
 ADH E0-0160 5 kg



ADH E2-0160 6.6 kg



Оформить
Заказ