

Diameter:

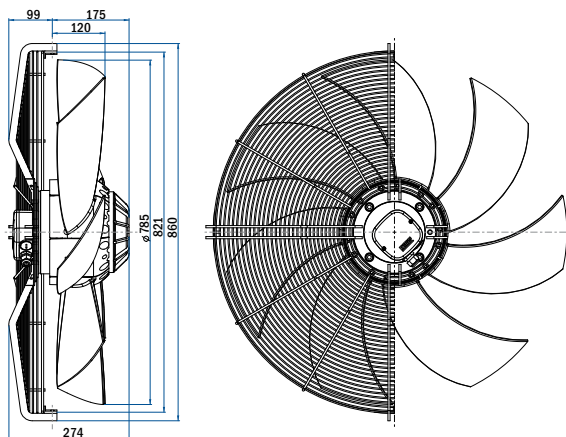
800 mm

R18_-8030H_-8T2-X000



Fan with guard grill

Airflow Direction	Type	Code	Weight (kg)
Sucking	R18R-8030HA-8T2-X000	0318-4-0004	34.8



Fan with plate

Airflow Direction	Type	Code	Weight (kg)
Sucking	R18P-8030HA-8T2-X000	0318-4-0000	47.7

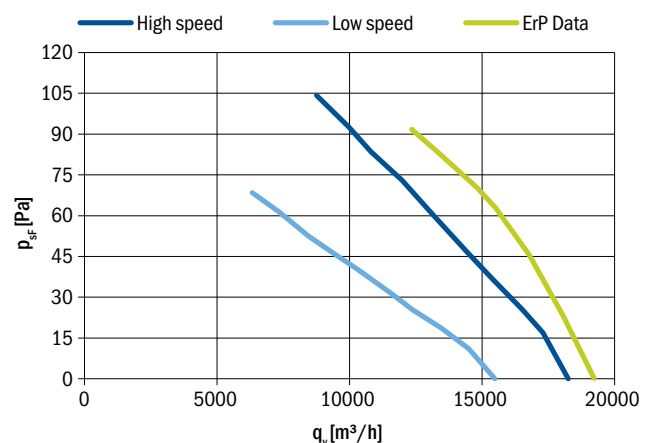
Fan without guard grill

Airflow Direction	Type	Code	Weight (kg)
Sucking	R18E-8030HA-8T2-X000	0318-4-0008	29.0

Nominal data according to standard EN 60335:	
Phase	3~
Nominal voltage	400 V
Frequency	50 Hz
Speed	high/low
Rated power input	920/600 W
Rated current	2.3/1.15 A
Rated speed	680/560 RPM
Min. ambient temperature	-30 °C
Max. ambient temperature	60 °C
Sound power level A weighted	77/69.5 dB (A)
Connection	terminal box
Insulation class	155
Protection class	IP54

ErP data according to EU regulation 327/2011:	
Overall efficiency	30.8 %
Measurement category	A
Efficiency category	static
Efficiency grade N	37.2
Variable speed drive	NO
Power input	984 W
Air flow	12343 m ³ /h
Pressure drop	92 Pa
Speed	687 RPM
Specific ratio	1.00

Aerodynamic characteristic



Fan characteristic measured in full bell mouth with guard grill.

ErP characteristic measured in full bell mouth without guard grill.

General notes

Connection	0301-1-0031	See section diagrams:
Guard grills & wall-plates		See section Accessories
Standards compliance		See introduction page