

**R18\_-7130H\_-6T2-7502**

**Diameter:**

**710 mm**

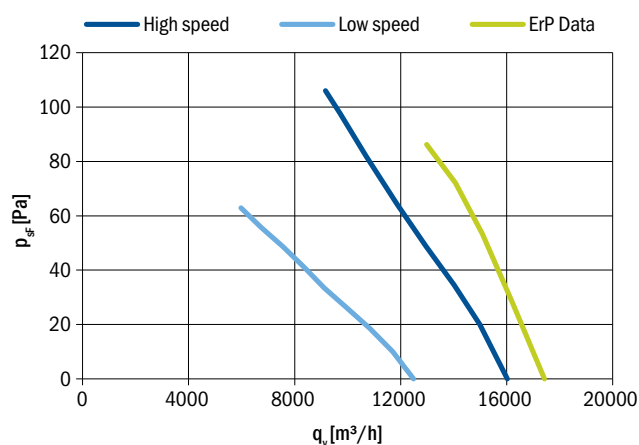
**Nominal data according to standard EN 60335:**

Phase	3~
Nominal voltage	400 V
Frequency	50 Hz
Speed	high/low
Rated power input	990/650 W
Rated current	1.90/1.20 A
Rated speed	870/620 RPM
Min. ambient temperature	-30 °C
Max. ambient temperature	70 °C
Sound power level A weighted	78/74 dB (A)
Connection	terminal box
Insulation class	155
Protection class	IP54

**ErP data according to EU regulation 327/2011:**

Overall efficiency	29.8 %
Measurement category	A
Efficiency category	static
Efficiency grade N	36.1
Variable speed drive	NO
Power input	998 W
Air flow	12977 m <sup>3</sup> /h
Pressure drop	86 Pa
Speed	888 RPM
Specific ratio	1.00

**Aerodynamic characteristic**



Fan characteristic measured in full bell mouth with guard grill.  
ErP characteristic measured in full bell mouth without guard grill.

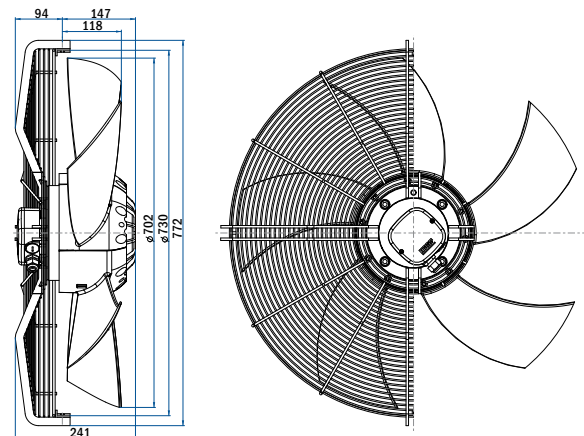
**General notes**

Connection diagrams:	0301-1-0031	See section Connection diagrams
Guard grills & wall-plates		See section Accessories
Standards compliance		See introduction page



**Fan with guard grill**

Airflow Direction	Type	Code	Weight (kg)
Sucking	R18R-7130HA-6T2-7502	0318-4-0007	27.2



**Fan with plate**

Airflow Direction	Type	Code	Weight (kg)
Sucking	R18P-7130HA-6T2-7502	0318-4-0003	34.9

**Fan without guard grill**

Airflow Direction	Type	Code	Weight (kg)
Sucking	R18E-7130HA-6T2-7502	0318-4-0016	22.0