

Diameter:

630 mm

R18_-6330H_-4T2-X003

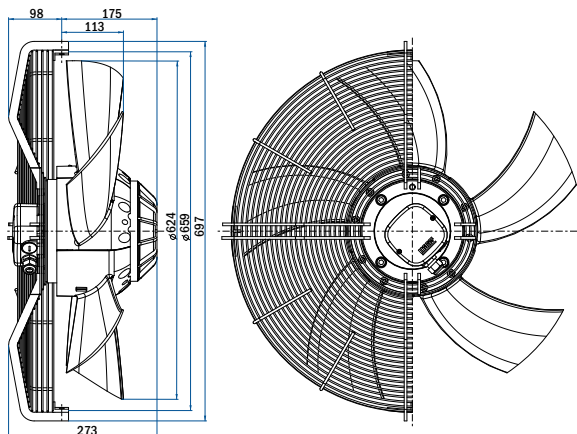


Nominal data according to standard EN 60335:

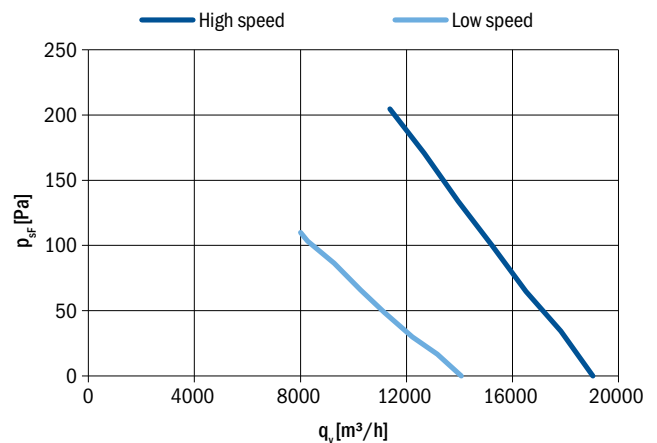
Phase	3~
Nominal voltage	400 V
Frequency	50 Hz
Speed	high/low
Rated power input	2350/1360 W
Rated current	4.65/2.75 A
Rated speed	1360/1000 RPM
Min. ambient temperature	-30 °C
Max. ambient temperature	50 °C
Sound power level A weighted	89/83 dB (A)
Connection	terminal box
Insulation class	155
Protection class	IP54

Fan with guard grill

Airflow Direction	Type	Code	Weight (kg)
Sucking	R18R-6330HA-4T2-X003	0318-4-0014	30.5



Aerodynamic characteristic



Fan characteristic measured in full bell mouth with guard grill.

Fan with plate

Airflow Direction	Type	Code	Weight (kg)
Sucking	R18P-6330HA-4T2-X003	0318-4-0020	39.0

Fan without guard grill

Airflow Direction	Type	Code	Weight (kg)
Sucking	R18E-6330HA-4T2-X003	0318-4-0010	26.0

General notes

Connection diagrams:	0301-1-0031	See section Connection diagrams
Guard grills & wall-plates		See section Accessories
Standards compliance		See introduction page