

Aerodynamic characteristic:

- measured in full bell mouth without guard grill
- installation category A according to ISO 5801

Sound power level:

- measured on pressure side
- fan mounted in full bell mouth without guard grill
- measured according to ISO 3741; installation type A

The values given may vary according to actual installation in the unit.

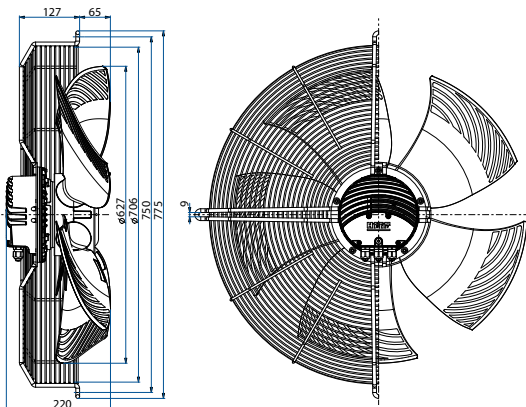
Definition of symbols

- U [V]** Supply voltage
- f [Hz]** Frequency
- n [RPM]** Fan speed
- qv [m³/h]** Air flow
- psf [Pa]** Pressure drop
- Pe [W]** Power input
- I [A]** Current
- L_{wa} [dB (A)]** Sound power level A weighted
- T_{a max} [°C]** Max. ambient temperature

	U [V]	f [Hz]	n [RPM]	qv [m³/h]	psf [Pa]	Pe [W]	I [A]	L _{wa out} [dB (A)]	T _{a max} [°C]
1	230	50	1000	12190	0	480	2.07	71	60
2	230	50	1000	11140	50	571	2.47	68	60
3	230	50	1000	9800	100	640	2.76	69	60
4	230	50	1000	7650	150	713	3.07	70	60
5	230	50	850	10362	0	295	1.27	68	60
6	230	50	850	9469	36	351	1.52	65	60
7	230	50	850	8330	72	393	1.69	66	60
8	230	50	850	6503	108	438	1.89	67	60
9	230	50	700	8533	0	165	0.71	64	60
10	230	50	700	7798	25	196	0.85	61	60
11	230	50	700	6860	49	220	0.95	62	60
12	230	50	700	5355	74	245	1.05	63	60
13	230	50	550	6705	0	80	0.34	58	60
14	230	50	550	6127	15	95	0.41	55	60
15	230	50	550	5390	30	106	0.46	56	60
16	230	50	550	4208	45	119	0.51	57	60

Airflow direction - blowing

Type: R14R-63APB-ES60B-01A04
Code: 0314-4-0049
Weight: 14.4 kg



Airflow direction - blowing

Type: R14P-63APB-ES60B-01A04
Code: 0314-4-0050
Weight: 23.1 kg

