

Diameter:

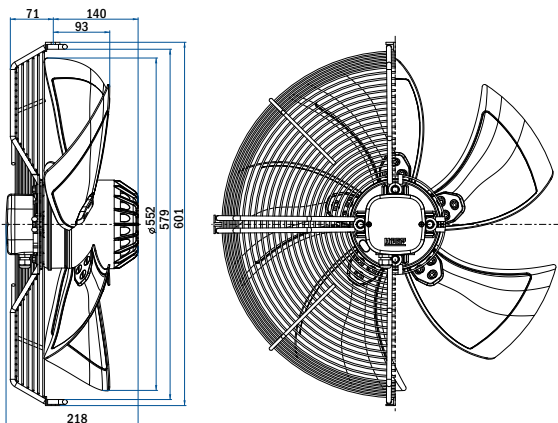
560 mm

R13_-5630H_-6T2-7008



Fan with guard grill

Airflow Direction	Type	Code	Weight (kg)
Sucking	R13R-5630HA-6T2-7008	0313-4-1011	13.3
Blowing	R13R-5630HP-6T2-7008	0313-4-1020	



Fan with plate

Airflow Direction	Type	Code	Weight (kg)
Sucking	R13P-5630HA-6T2-7008	0313-4-1015	21.0
Blowing	R13P-5630HP-6T2-7008	On request	

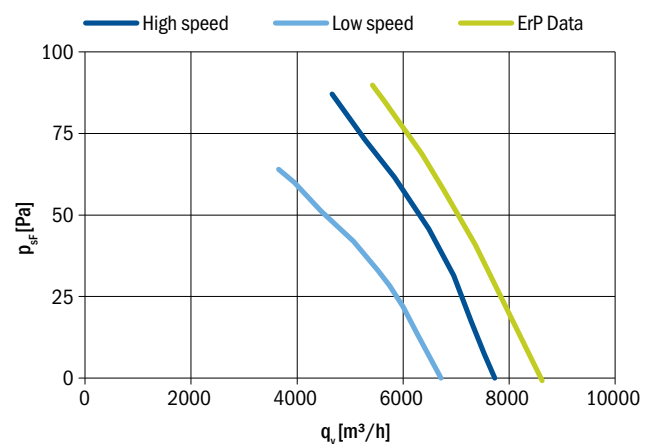
Fan without guard grill

Airflow Direction	Type	Code	Weight (kg)
Sucking	R13E-5630HA-6T2-7008	0313-4-1045	10.5
Blowing	R13E-5630HP-6T2-7008	On request	

Nominal data according to standard EN 60335:	
Phase	3~
Nominal voltage	400 V
Frequency	50 Hz
Speed	high/low
Rated power input	380/250 W
Rated current	0.85/0.44 A
Rated speed	910/760 RPM
Min. ambient temperature	-30 °C
Max. ambient temperature	70 °C
Sound power level A weighted	76/71 dB (A)
Connection	terminal box
Insulation class	155
Protection class	IP54

ErP data according to EU regulation 327/2011:	
Overall efficiency	31.4 %
Measurement category	A
Efficiency category	static
Efficiency grade N	40.2
Variable speed drive	NO
Power input	411 W
Air flow	5423 m ³ /h
Pressure drop	90 Pa
Speed	920 RPM
Specific ratio	1.00

Aerodynamic characteristic



Fan characteristic measured in full bell mouth with guard grill.
ErP characteristic measured in full bell mouth without guard grill.

General notes	
Connection diagrams:	
Sucking	0301-1-0033 See section
Blowing	0301-1-0033 Connection diagrams
Guard grills & wall-plates	See section Accessories
Standards compliance	See introduction page