

R13_-5030H_-6M-5072

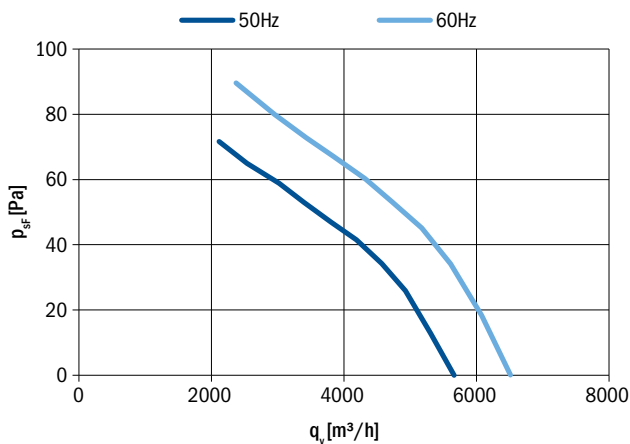
Diameter:

500 mm

Nominal data according to standard EN 60335:

Phase	1~
Nominal voltage	230 V
Frequency	50/60 Hz
Rated power input	245/320 W
Rated current	1.10/1.35 A
Rated speed	900/1030 RPM
Min. ambient temperature	-30 °C
Max. ambient temperature	60 °C
Sound power level A weighted	72/76 dB (A)
Condensator	8 µF/450 V
Connection	terminal box
Insulation class	155
Protection class	IP54

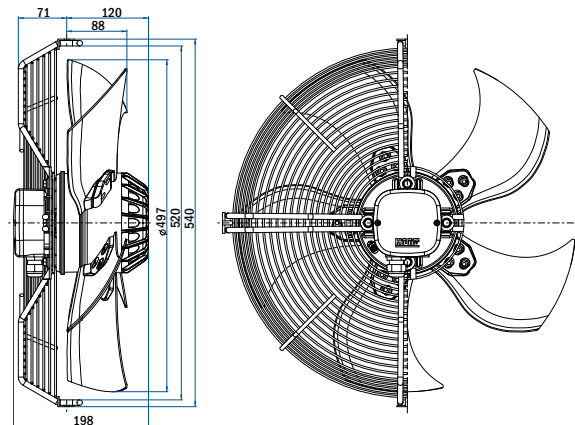
Aerodynamic characteristic



Fan characteristic measured in full bell mouth with guard grill.

Fan with guard grill

Airflow Direction	Type	Code	Weight (kg)
Sucking	R13R-5030HA-6M-5072	0313-4-1083	10.3
Blowing	R13R-5030HP-6M-5072	On request	



Fan with plate

Airflow Direction	Type	Code	Weight (kg)
Sucking	R13P-5030HA-6M-5072	0313-4-1105	15.8
Blowing	R13P-5030HP-6M-5072	On request	

Fan without guard grill

Airflow Direction	Type	Code	Weight (kg)
Sucking	R13E-5030HA-6M-5072	0313-4-1104	7.9
Blowing	R13E-5030HP-6M-5072	On request	

General notes

Connection diagrams:			
Sucking	0301-1-0044	See section	
Blowing	0301-1-0043	Connection diagrams	
Guard grills & wall-plates	See section Accessories		
Standards compliance	See introduction page		