

Diameter:

450 mm

R13_-4530H_-6T2-5065

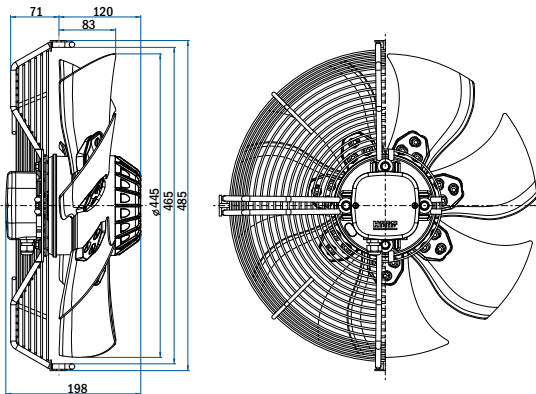


Nominal data according to standard EN 60335:

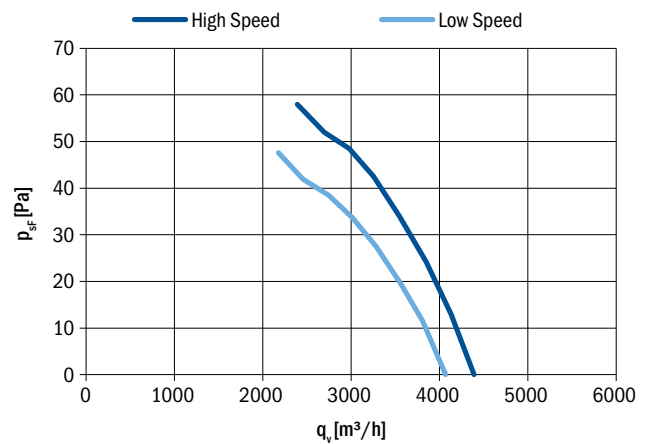
Phase	3~
Nominal voltage	400 V
Frequency	50 Hz
Speed	high/low
Rated power input	170/105 W
Rated current	0.70/0.23 A
Rated speed	940/840 RPM
Min. ambient temperature	-30 °C
Max. ambient temperature	70 °C
Sound power level A weighted	67/62 dB (A)
Connection	terminal box
Insulation class	155
Protection class	IP54

Fan with guard grill

Airflow Direction	Type	Code	Weight (kg)
Sucking	R13R-4530HA-6T2-5065	0313-4-1072	11.0
Blowing	R13R-4530HA-6T2-5065	On request	



Aerodynamic characteristic



Fan characteristic measured in full bell mouth with guard grill

Fan with plate

Airflow Direction	Type	Code	Weight (kg)
Sucking	R13P-4530HA-6T2-5065	0313-4-1071	16.5
Blowing	R13P-4530HA-6T2-5065	On request	

Fan without guard grill

Airflow Direction	Type	Code	Weight (kg)
Sucking	R13E-4530HA-6T2-5065	0313-4-1062	8.1
Blowing	R13E-4530HA-6T2-5065	On request	

General notes

Connection diagrams:		
Sucking	0301-1-0033	See section
Blowing	0301-1-0033	Connection diagrams
Guard grills & wall-plates	See section Accessories	
Standards compliance	See introduction page	