

Diameter:

420 mm

R11\_-42AP\_-6M-5758



**Nominal data according to standard EN 60335:**

Phase	1~
Nominal voltage	230 V
Frequency	50/60 Hz
Rated power input	120/165 W
Rated current	0.52/0.72 A
Rated speed	880/900 RPM
Min. ambient temperature	-30 °C
Max. ambient temperature	70/55 °C
Sound power level A weighted	
Condensator	3.15 µF/450 V
Connection	terminal box
Insulation class	155
Protection class	IP54

**Fan with guard grill**

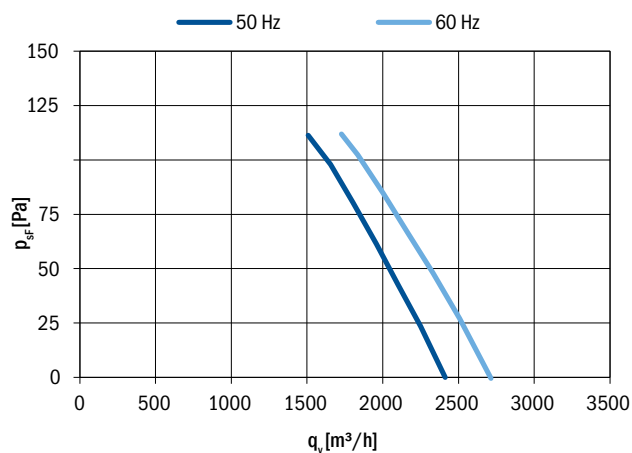
Airflow Direction	Type	Code	Weight (kg)
Sucking	R11R-42APS-6M-5758	0311-4-0462	6.8
Blowing	R11R-42APB-6M-5758	On request	

**ErP data according to EU regulation 327/2011:**

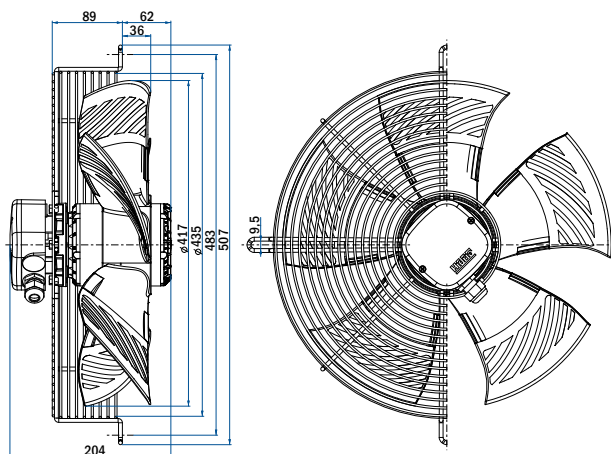
Is not subject to the EU regulation 327/2011.

Power input lower than 125 W.

**Aerodynamic characteristic**



Fan characteristic measured in short bell mouth with guard grill.



**Fan with plate**

Airflow Direction	Type	Code	Weight (kg)
Sucking	R11P-42APS-6M-5758	On request	
Blowing	R11P-42APB-6M-5758	On request	

**Fan without guard grill**

Airflow Direction	Type	Code	Weight (kg)
Sucking	R11E-42APS-6M-5758	On request	
Blowing	R11E-42APB-6M-5758	On request	

**General notes**

Connection diagrams:		
Sucking	0301-1-0044	See section
Blowing	0301-1-0043	Connection diagrams
Guard grills & wall-plates	See section Accessories	
Standards compliance	See introduction page	