

**R11\_-35KP\_-4M-3808**

**Diameter:**

**350 mm**

**Nominal data according to standard EN 60335:**

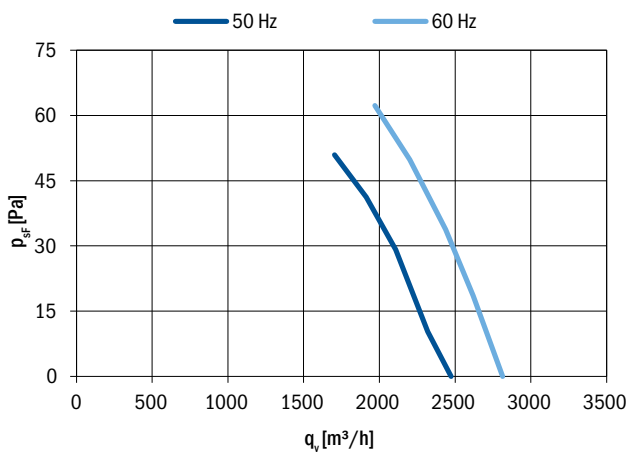
Phase	1~
Nominal voltage	230 V
Frequency	50/60 Hz
Rated power input	110/145 W
Rated current	0.45/0.65 A
Rated speed	1360/1490 RPM
Min. ambient temperature	-30 °C
Max. ambient temperature	55 °C
Sound power level A weighted	65/69 dB (A)
Condensator	4 µF/450 V
Connection	terminal box
Insulation class	155
Protection class	IP54

**ErP data according to EU regulation 327/2011:**

**Is not subject to the EU regulation 327/2011.**

Power input lower than 125 W.

**Aerodynamic characteristic**

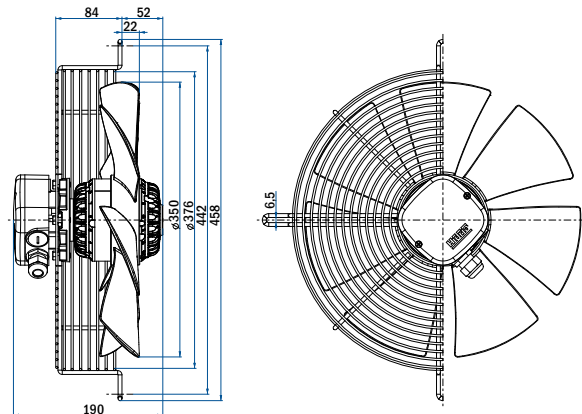


Fan characteristic measured in full bell mouth with guard grill.



**Fan with guard grill**

Airflow Direction	Type	Code	Weight (kg)
Sucking	R11R-35KPA-4M-3808	0311-4-0243	5.5
Blowing	R11R-35KPP-4M-3808	On request	



**Fan with plate**

Airflow Direction	Type	Code	Weight (kg)
Sucking	R11P-35KPA-4M-3808	On request	
Blowing	R11P-35KPP-4M-3808	On request	

**Fan without guard grill**

Airflow Direction	Type	Code	Weight (kg)
Sucking	R11E-35KPA-4M-3808	On request	
Blowing	R11E-35KPP-4M-3808	On request	

**General notes**

Connection diagrams:

Sucking 0301-1-0043 See section  
Blowing 0301-1-0044 Connection diagrams

Guard grills & wall-plates See section Accessories

Standards compliance See introduction page