

Diameter:

630 mm

R10_-63LP_-ES50B-03C11



Nominal data according to standard EN 60335:	
Phase	1~
Nominal voltage	230 V
Nominal voltage range	230-240 V
Frequency	50-60 Hz
Input power	250 W
Input current	1.65 A
Nominal speed	770 RPM
Min. ambient temperature	-25 °C
Protection class	IP54
Insulation class	130

ErP data according to EU regulation 327/2011:	
Overall efficiency	40.4 %
Measurement category	A
Efficiency category	static
Efficiency grade N	50.3
Variable speed drive	INTEGRATED
Power input	270 W
Air flow	5787 m ³ /h
Pressure drop	62 Pa
Rotational speed	760 RPM
Specific ratio	1.00

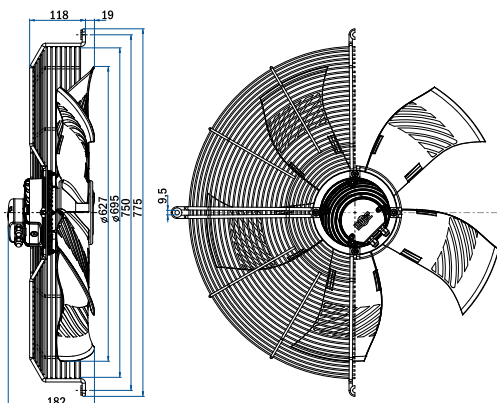
General notes

Connection diagram: 0302-0-0006	See section Connection diagrams
Guard grills & wall-plates	See section Accessories
Standards compliance	See introduction page

Dimensions and fan ordering information

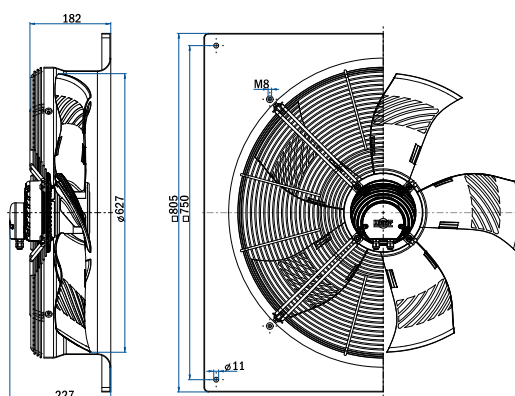
Airflow direction - sucking

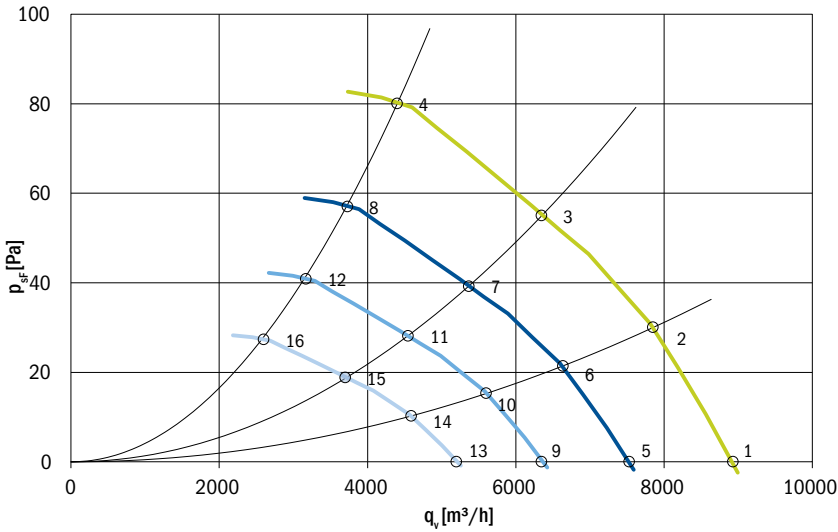
Type: R10R-63LPS-ES50B-03C11
Code: 0310-4-0139
Weight: 6.4 kg



Airflow direction - sucking

Type: R10P-63LPS-ES50B-03C11
Code: 0310-4-0140
Weight: 15.2 kg





Aerodynamic characteristic:

- measured in full bell mouth without guard grill
- installation category A according to ISO 5801

Sound power level:

- measured on pressure side
- fan mounted in full bell mouth without guard grill
- measured according to ISO 3741; installation type A

The values given may vary according to actual installation in the unit.

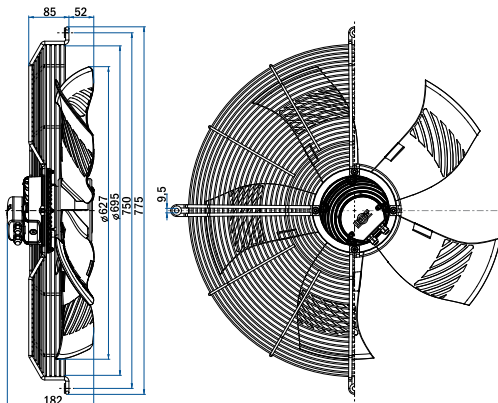
Definition of symbols

U [V]	Supply voltage
f [Hz]	Frequency
n [RPM]	Fan speed
q_v [m³/h]	Air flow
p_{sF} [Pa]	Pressure drop
P_e [W]	Power input
I [A]	Current
L_{WA} [dB (A)]	Sound power level A weighted
T_{a max} [°C]	Max. ambient temperature

	U [V]	f [Hz]	n [RPM]	q _v [m³/h]	p _{sF} [Pa]	P _e [W]	I [A]	L _{WA out} [dB (A)]	T _{a max} [°C]
1	230	50	770	8930	0	201	1.36	67	60
2	230	50	770	7850	30	240	1.61	65	60
3	230	50	770	6350	55	266	1.78	64	60
4	230	50	770	4400	80	274	1.82	71	60
5	230	50	650	7530	0	115	0.81	62	60
6	230	50	650	6640	21	136	0.95	60	60
7	230	50	650	5370	39	155	1.06	60	60
8	230	50	650	3730	57	146	1.02	67	60
9	230	50	550	6350	0	71	0.53	57	60
10	230	50	550	5600	15	82	0.60	56	60
11	230	50	550	4550	28	94	0.68	56	60
12	230	50	550	3170	41	89	0.65	62	60
13	230	50	450	5200	0	40	0.31	51	60
14	230	50	450	4590	10	46	0.35	51	60
15	230	50	450	3700	19	52	0.40	51	60
16	230	50	450	2600	27	50	0.39	57	60



Type: R10R-63LPB-ES50B-03C11
Code: 0310-4-0141
Weight: 6.4 kg



Type: R10P-63LPB-ES50B-03C11
Code: 0310-4-0142
Weight: 15.2 kg

