

Diameter: 400 mm

R10_-40AP_-ES50B-02A01



Nominal data according to standard EN 60335:	
Phase	1~
Nominal voltage	230 V
Nominal voltage range	200-240 V
Frequency	50-60 Hz
Input power	320 W
Input current	2.15 A
Nominal speed	1520 RPM
Min. ambient temperature	-25 °C
Protection class	IP54
Insulation class	130

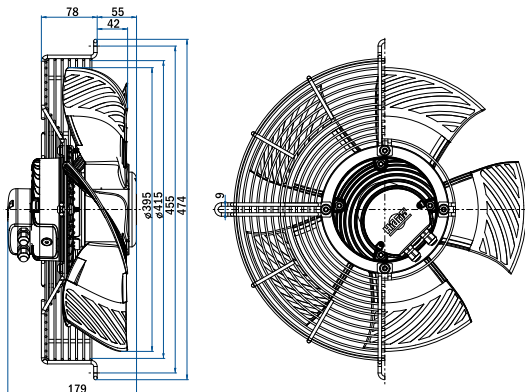
ErP data according to EU regulation 327/2011:	
Overall efficiency	43.1 %
Measurement category	A
Efficiency category	static
Efficiency grade N	52.4
Variable speed drive	INTEGRATED
Power input	342 W
Air flow	3069 m ³ /h
Pressure drop	161 Pa
Rotational speed	1504 RPM
Specific ratio	1.00

General notes	
Connection diagram: 0302-0-0001	See section Connection diagrams
Guard grills & wall-plates	See section Accessories
Standards compliance	See introduction page

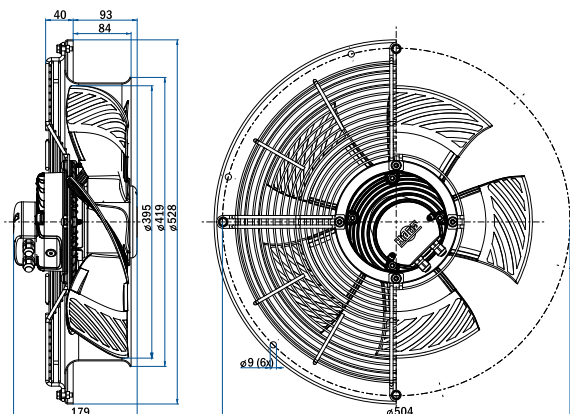
Dimensions and fan ordering information

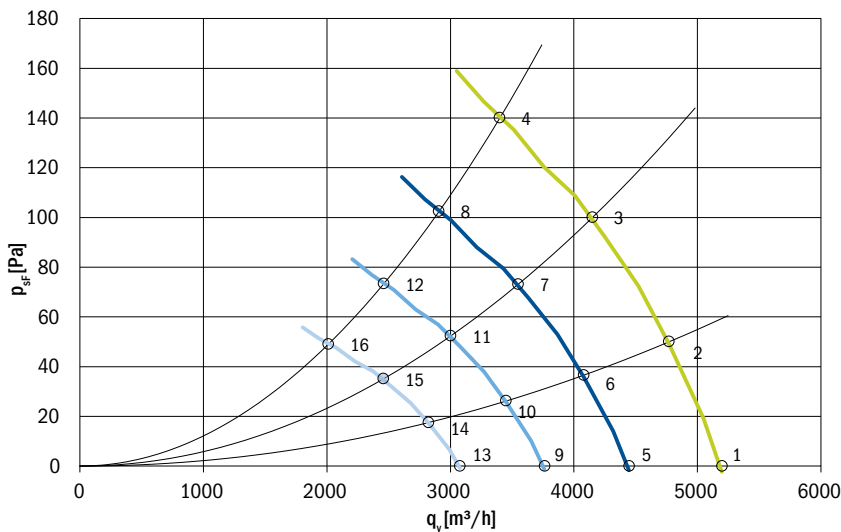


Type: R10R-40APS-ES50B-02A01
Code: 0310-4-0000
Weight: 6.2 kg



Type: R10P-40APS-ES50B-02A01
Code: 0310-4-0025
Weight: 7.5 kg





Aerodynamic characteristic:

- measured in full bell mouth without guard grill
- installation category A according to ISO 5801

Sound power level:

- measured on pressure side
- fan mounted in full bell mouth without guard grill
- measured according to ISO 3741; installation type A

The values given may vary according to actual installation in the unit.

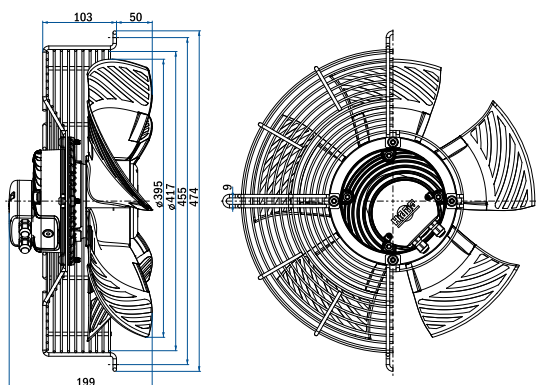
Definition of symbols

- U [V]** Supply voltage
- f [Hz]** Frequency
- n [RPM]** Fan speed
- q_v [m³/h]** Air flow
- p_{sF} [Pa]** Pressure drop
- P_e [W]** Power input
- I [A]** Current
- L_{WA} [dB (A)]** Sound power level A weighted
- T_{a max} [°C]** Max. ambient temperature

	U [V]	f [Hz]	n [RPM]	q _v [m³/h]	p _{sF} [Pa]	P _e [W]	I [A]	L _{WA out} [dB (A)]	T _{a max} [°C]
1	230	50	1520	5200	0	289	1.91	74	65
2	230	50	1520	4770	50	316	2.05	72	65
3	230	50	1520	4150	100	323	2.10	69	65
4	230	50	1520	3400	140	325	2.13	70	65
5	230	50	1300	4447	0	181	1.21	70	65
6	230	50	1300	4080	37	201	1.33	68	65
7	230	50	1300	3549	73	211	1.40	65	65
8	230	50	1300	2908	102	213	1.42	65	65
9	230	50	1100	3763	0	113	0.79	66	65
10	230	50	1100	3452	26	126	0.87	64	65
11	230	50	1100	3003	52	130	0.90	61	65
12	230	50	1100	2461	73	135	0.93	60	65
13	230	50	900	3079	0	68	0.49	60	65
14	230	50	900	2824	18	71	0.52	59	65
15	230	50	900	2457	35	76	0.55	56	65
16	230	50	900	2013	49	75	0.54	55	65



Type: R10R-40APB-ES50B-02A01
Code: 0310-4-0026
Weight: 5.0 kg



Type: R10P-40APB-ES50B-02A01
Code: 0310-4-0027
Weight: 7.5 kg

