

Diameter:

450 mm

R09\_-45AP\_-ES25C-02B10



**Nominal data according to standard IEC 60034 (max. load):**

Phase	1~
Nominal voltage	230V
Nominal voltage range	200-253 V
Frequency	50-60Hz
Input power	110 W
Input current	0.90 A
Nominal speed	835 RPM
Min. ambient temperature	-25 °C
Protection class	IP54
Insulation class	130

**ErP data according to EU regulation 327/2011:**

**Is not subject to the EU regulation 327/2011.**

Power input lower than 125 W.

**General notes**

Connection diagram: 0302-0-0008 See section  
Connection diagrams

Guard grills & wall-plates See section Accessories

Standards compliance See introduction page

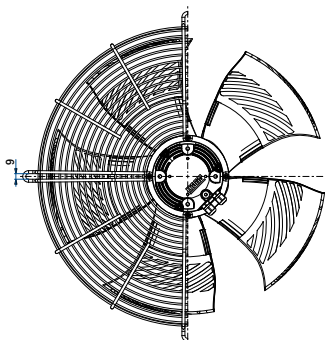
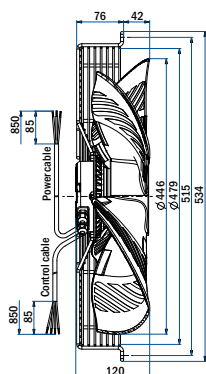
## Dimensions and fan ordering information

Airflow direction - sucking

Type: R09R-45APS-ES25C-02B10

Code: 0309-4-3006

Weight: 4.5 kg

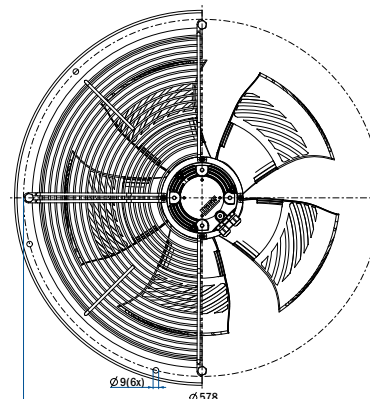
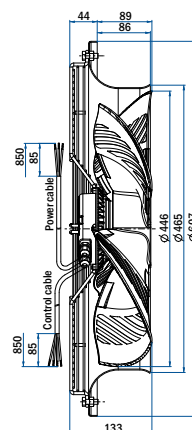


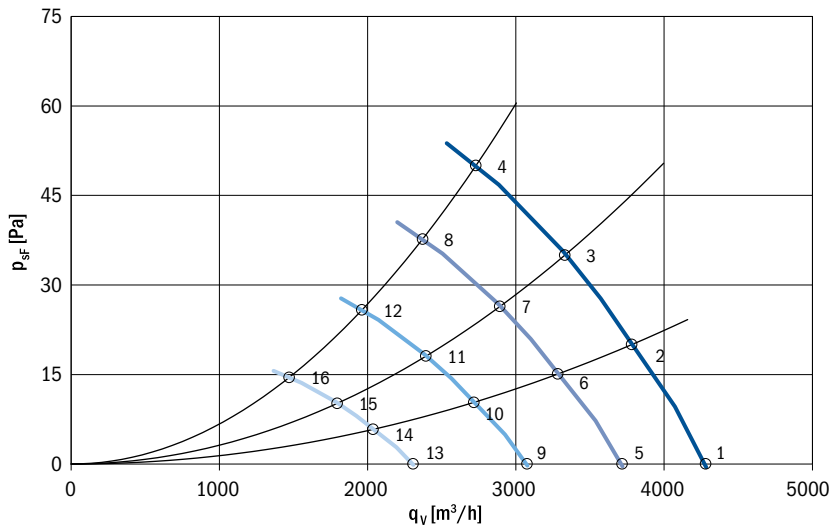
Airflow direction - sucking

Type: R09P-45APS-ES25C-02B10

Code: 0309-4-3007

Weight: 7.3 kg





### Aerodynamic characteristic:

- measured in full bell mouth without guard grill
- installation category A according to ISO 5801

### Sound power level:

- measured on pressure side
- fan mounted in full bell mouth without guard grill
- measured according to ISO 3741; installation type A

The values given may vary according to actual installation in the unit.

### Definition of symbols

<b>U [V]</b>	Supply voltage
<b>f [Hz]</b>	Frequency
<b>n [RPM]</b>	Fan speed
<b>q<sub>v</sub> [m<sup>3</sup>/h]</b>	Air flow
<b>p<sub>sF</sub> [Pa]</b>	Pressure drop
<b>P<sub>e</sub> [W]</b>	Power input
<b>I [A]</b>	Current
<b>L<sub>WA</sub> [dB (A)]</b>	Sound power level A weighted
<b>T<sub>a max</sub> [°C]</b>	Max. ambient temperature

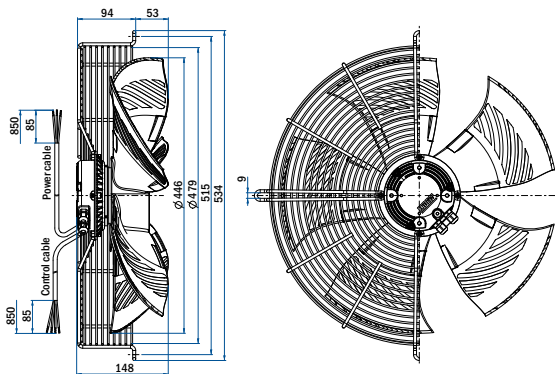
	U [V]	f [Hz]	n [RPM]	q <sub>v</sub> [m <sup>3</sup> /h]	p <sub>sF</sub> [Pa]	P <sub>e</sub> [W]	I [A]	L <sub>WA out</sub> [dB (A)]	T <sub>a max</sub> [°C]
1	230	50	835	4280	0	74	0.65	60	55
2	230	50	835	3780	20	93	0.78	58	55
3	230	50	835	3330	35	103	0.86	57	55
4	230	50	835	2730	50	112	0.94	58	55
5	230	50	725	3716	0	48	0.43	56	55
6	230	50	725	3282	15	61	0.51	54	55
7	230	50	725	2891	26	67	0.56	53	55
8	230	50	725	2370	38	73	0.62	54	55
9	230	50	600	3075	0	27	0.24	51	55
10	230	50	600	2716	10	35	0.29	50	55
11	230	50	600	2393	18	38	0.32	49	55
12	230	50	600	1962	26	42	0.35	50	55
13	230	50	450	2307	0	12	0.10	44	55
14	230	50	450	2037	6	15	0.12	42	55
15	230	50	450	1795	10	16	0.13	42	55
16	230	50	450	1471	15	18	0.15	43	55

Airflow direction - blowing

Type: R09R-45APB-ES25C-02B10

Code: 0309-4-3014

Weight: 4.7 kg



Airflow direction - blowing

Type: R09P-45APB-ES25C-02B10

Code: 0309-4-3015

Weight: 7.5 kg

